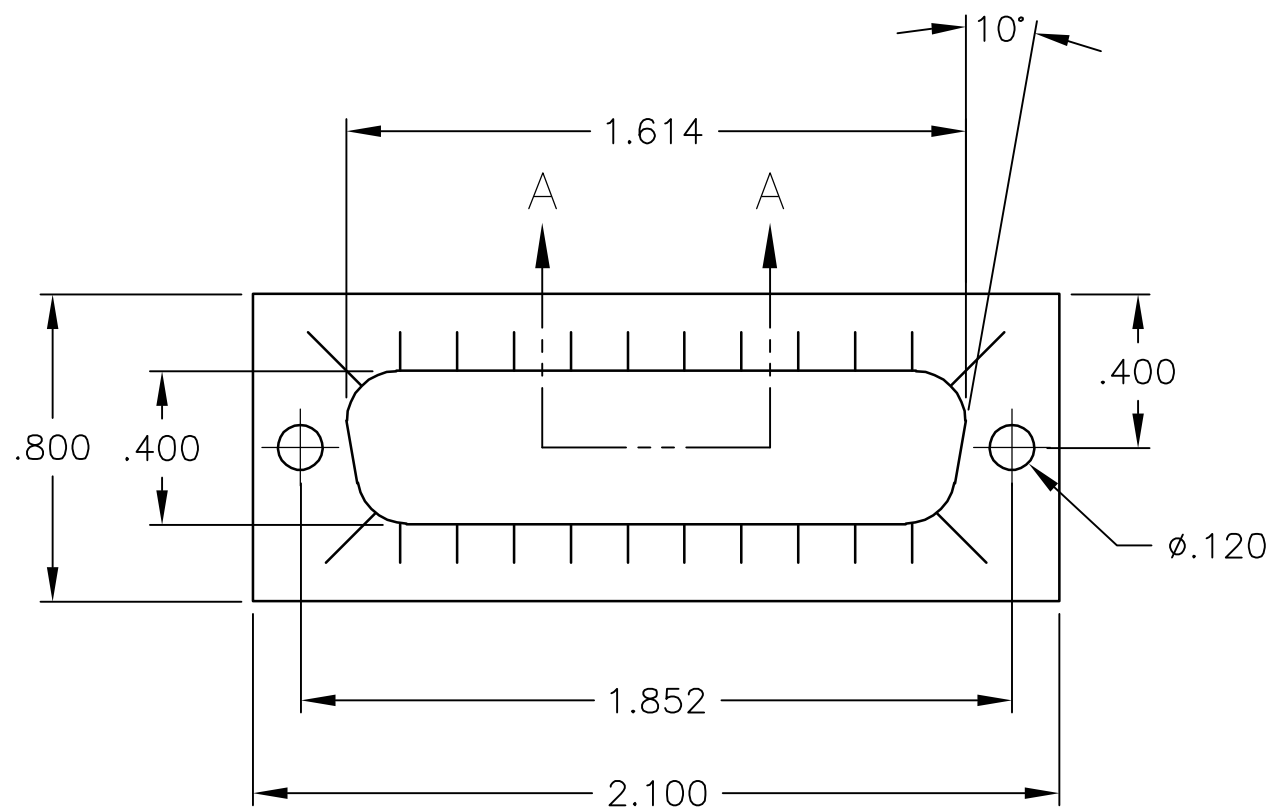
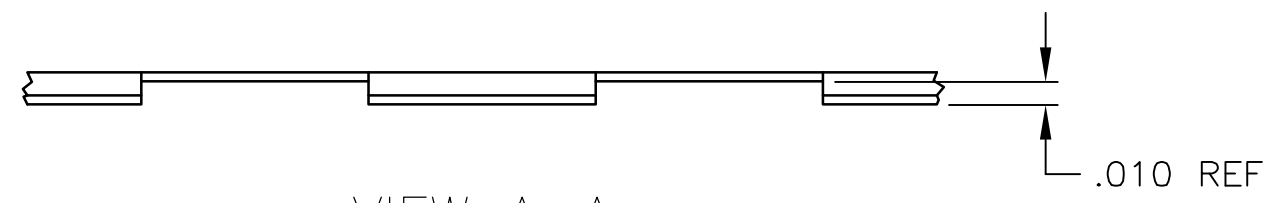


THIS DRAWING IS UNPUBLISHED. RELEASED FOR PUBLICATION
 © COPYRIGHT BY TYCO ELECTRONICS CORPORATION. ALL RIGHTS RESERVED.

LOC	DIST	REVISIONS					
GP	00	P	LTR	DESCRIPTION	DATE	DWN	APVD
			B1	REVISED PER ECO-06-020813	30OCT06	JDP	CWR



- 1 BRIGHT TIN-LEAD OVER NICKEL.
- 2 TIN OVER NICKEL.



VIEW A-A
SCALE 8:1

OBSOLETE	2	745776-4
	1	745776-3
	FINISH	PART NUMBER

THIS DRAWING IS A CONTROLLED DOCUMENT.		DWN J.GERACE 20FEB04	Tyco Electronics Corporation Harrisburg, Pa 17105-3608			
DIMENSIONS: INCHES		CHK S.SHUEY 20FEB04				
TOLERANCES UNLESS OTHERWISE SPECIFIED:		APVD M.WALMSLEY 20FEB04	NAME RFI GASKET, SIZE 3, AMPLIMITE			
0 PLC ± - 1 PLC ± - 2 PLC ± - 3 PLC ± .010 4 PLC ± - ANGLES ± 2'		PRODUCT SPEC -	APPLICATION SPEC -			
MATERIAL .006 THICK BRASS	FINISH SEE TABLE	WEIGHT -	SIZE A3	CAGE CODE 00779	DRAWING NO C-745776	RESTRICTED TO -
CUSTOMER DRAWING			SCALE 2:1	SHEET 1 OF 1	REV B1	