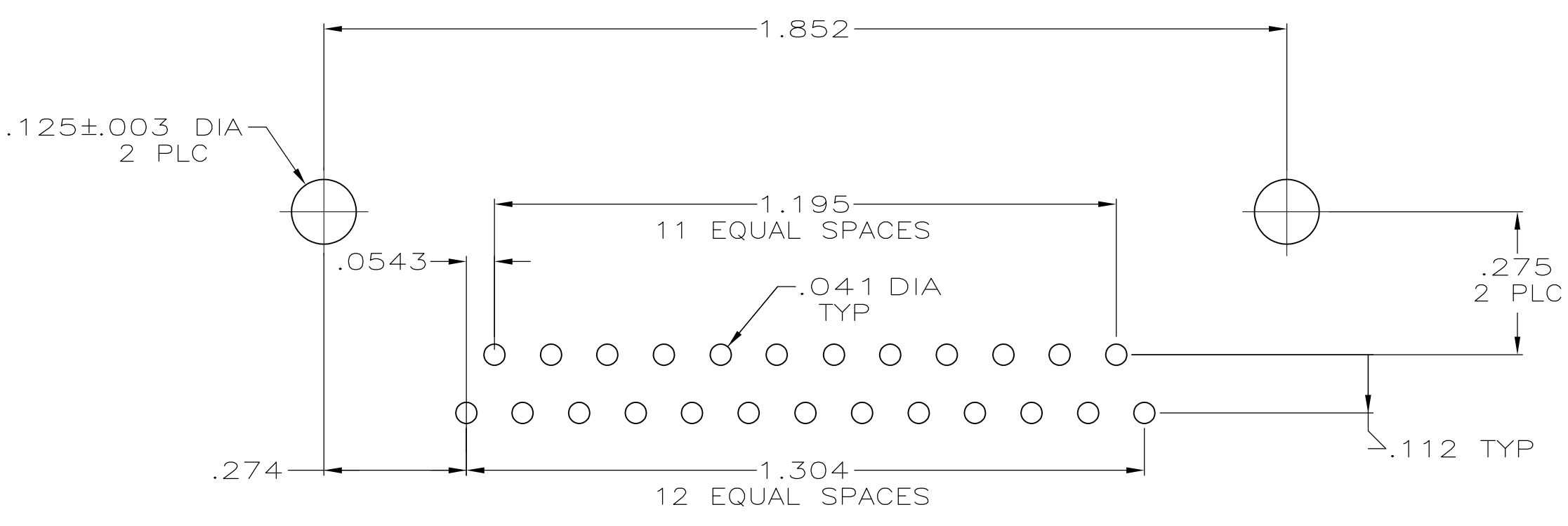
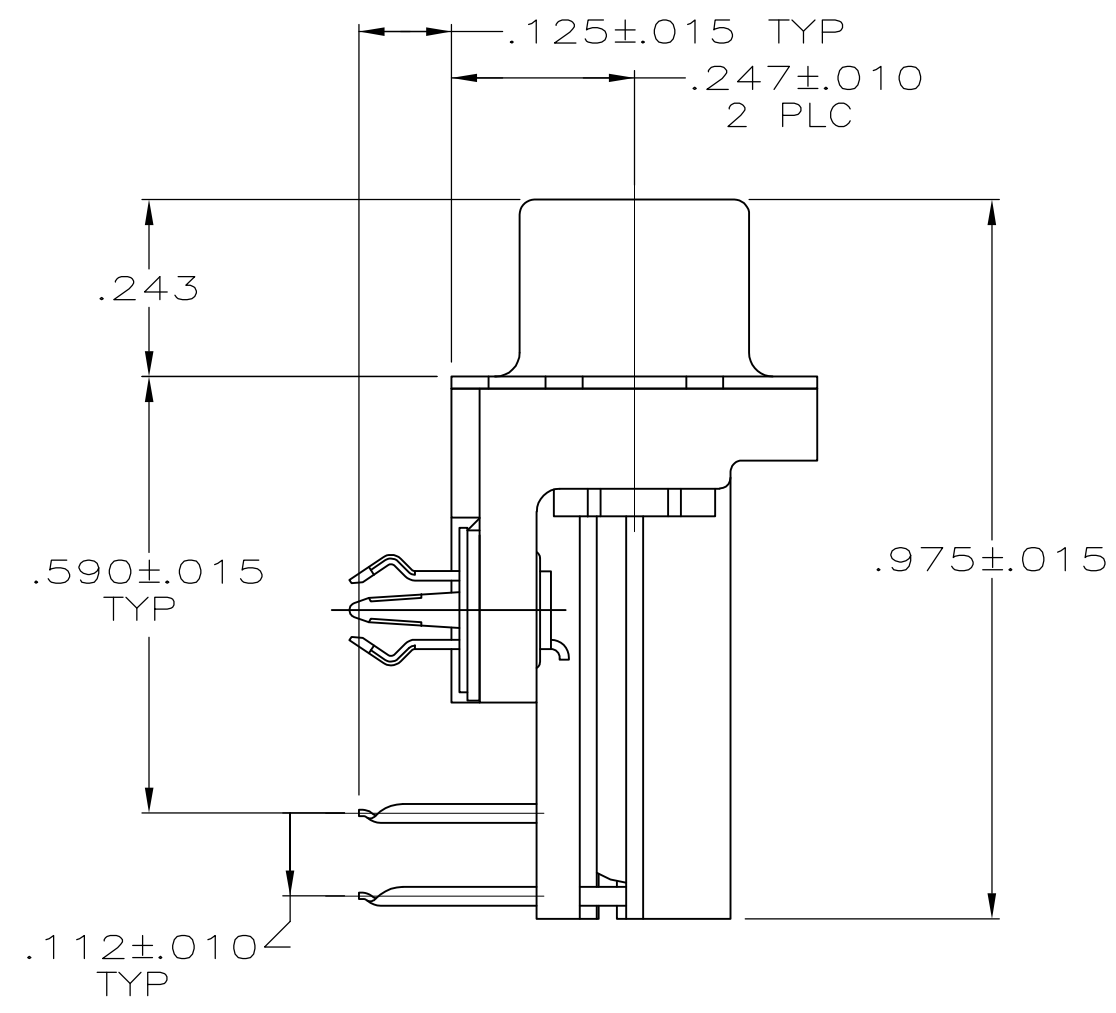
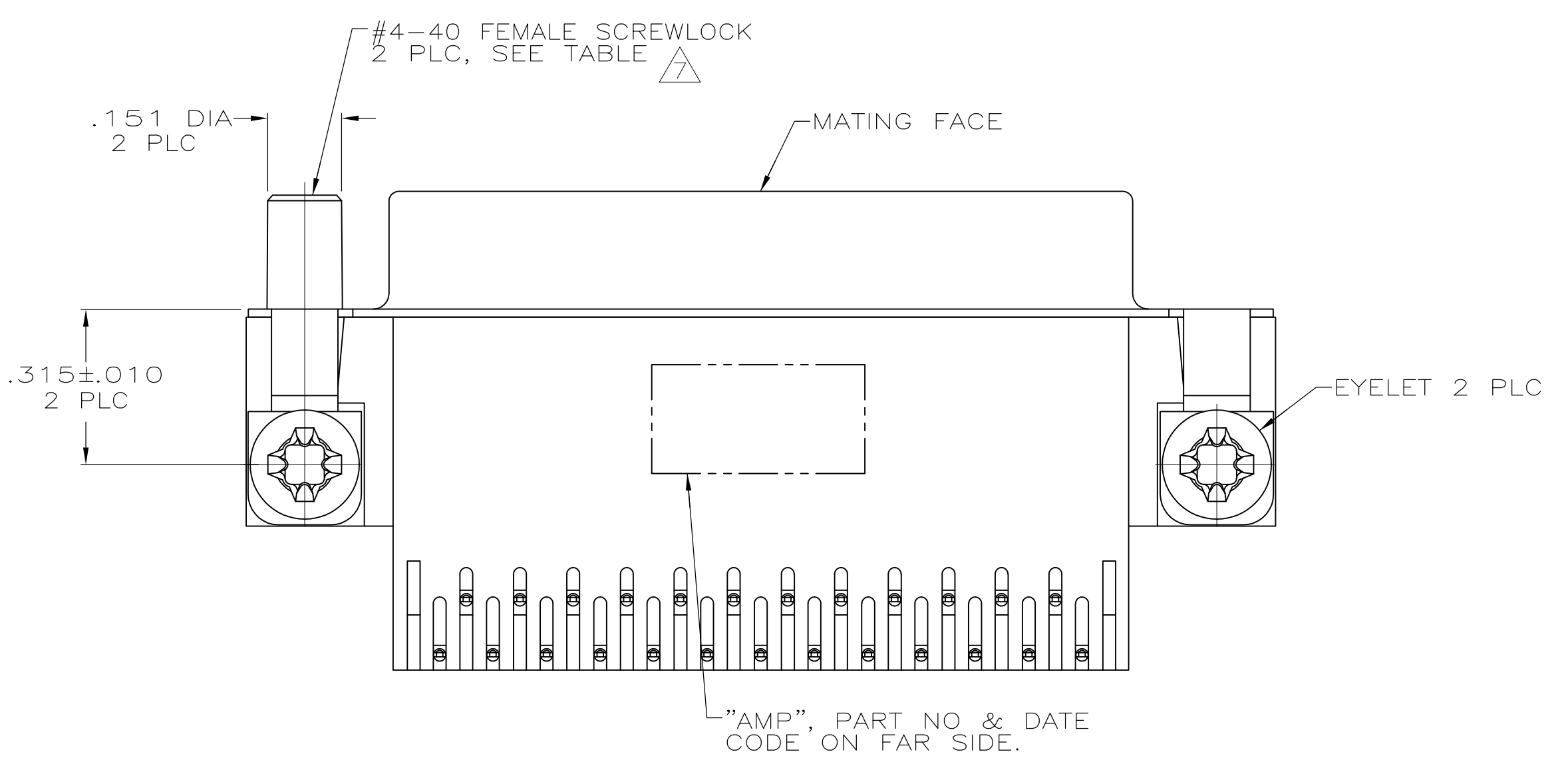
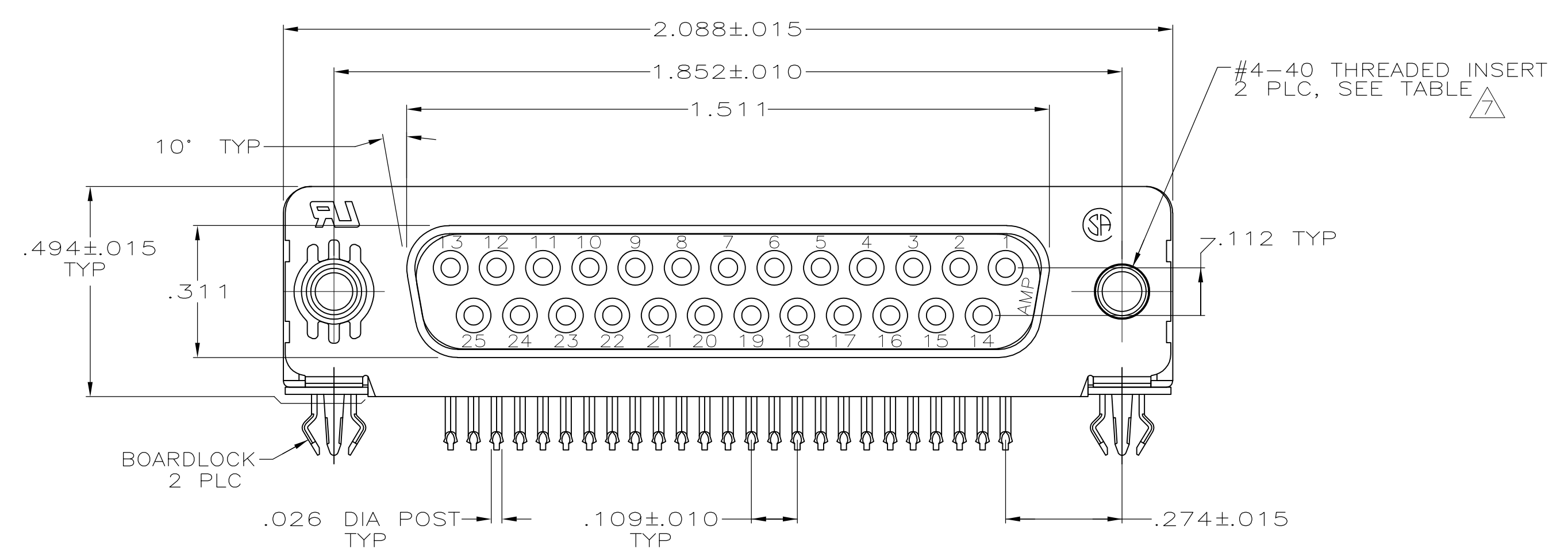


LOC	DIST	REVISIONS			
TP	LTR	DESCRIPTION	DATE	OWN	APVD
U		REVISED PER EC 0S13-0176-03	28MAY03	JG	CC
U1		REVISED PER ECO-09-021826	08JAN10	KK	AEG



RECOMMENDED P.C. BOARD MOUNTING DIMENSIONS

- CONNECTOR MATES WITH ANY 25 POSN PLUG IN AMPLIMITE SERIES.
- MOLDED PARTS: FLAME RETARDANT 94V-0 RATED THERMOPLASTIC, BLACK.  
SHELL: STEEL PER ASTM A109  
CONTACTS: PHOSPHOR BRONZE PER QQ-B-750  
EYELETS: BRASS  
SCREWLOCKS: ZINC  
INSERTS: ZINC  
BOARDLOCKS: COPPER ALLOY
- SHELL: .000100 MIN TIN OR TIN-LEAD  
CONTACTS: SEE TABLE  
EYELETS: TIN  
SCREWLOCKS: CLEAR CHROMATE  
BOARDLOCKS: SEE TABLE  
INSERTS: CLEAR CHROMATE
- GOLD PLATING PER MIL-G-45204, NICKEL PLATING PER QQ-N-290, TIN PLATING PER MIL-T-10727.
- GOLD FLASH FOR A DISTANCE OF .100 MIN FROM MATING END, .000100-.000200 BRIGHT TIN OR BRIGHT TIN-LEAD ON TERMINATION END, ALL OVER .000050 NICKEL ON ENTIRE CONTACT.
- .000030 GOLD FOR A DISTANCE OF .100 MIN FROM MATING END, .000100-.000200 BRIGHT TIN OR BRIGHT TIN-LEAD ON TERMINATION END, ALL OVER .000050 NICKEL ON ENTIRE CONTACT.
- SCREWLOCKS & INSERTS WILL WITHSTAND 4 IN-LBS TORQUE & 20 LBS PULL OUT FORCE FROM MATING FACE SIDE.
- OBSOLETE PARTS: OBSOLETE CIS STREAMLINING PER D.RENAUD/D.SINISI

8	OBSOLETE	THREADED INSERTS	TIN	6	6-747838-7
		FEMALE SCREWLOCKS	TIN-LEAD	6	747838-6
	SUPSD BY 747838-6	FEMALE SCREWLOCKS	TIN-LEAD	5	747838-5
		THREADED INSERTS	TIN-LEAD	6	747838-4
		THREADED INSERTS	TIN-LEAD	5	747838-3
	OBSOLETE	.125 DIA HOLES	TIN-LEAD	6	747838-2
	OBSOLETE	.125 DIA HOLES	TIN-LEAD	5	747838-1
		MOUNTING HARDWARE	BOARDLOCK FINISH	CONTACT FINISH	PART NUMBER

THIS DRAWING IS A CONTROLLED DOCUMENT. OWN: J.GALLUCCI/BG 25-JAN-91  
 CHK: W.G. LENKER 15-APR-91  
 APVD: J. YOUNG 15-APR-91  
 NAME: AMP Incorporated Harrisburg, PA 17105-3608

RECEPTACLE ASSEMBLY, SIZE 3, 25 POSITION, RIGHT ANGLE, FRONT METAL SHELL, .590 SERIES, .026 DIA POSTS, BOARDLOCKS, AMPLIMITE™ HD-20

DIMENSIONS: INCHES	TOLERANCES UNLESS OTHERWISE SPECIFIED:	SIZE	CAGE CODE	DRAWING NO	RESTRICTED TO
0 PLC ±	1 PLC ±	108-40025			
2 PLC ±	3 PLC ±.005	114-40010			
4 PLC ±	ANGLES ±°	100779		747838	
MATERIAL	FINISH	WEIGHT	CUSTOMER DRAWING	SCALE: 4:1	SHEET 1 OF 1 REV U1