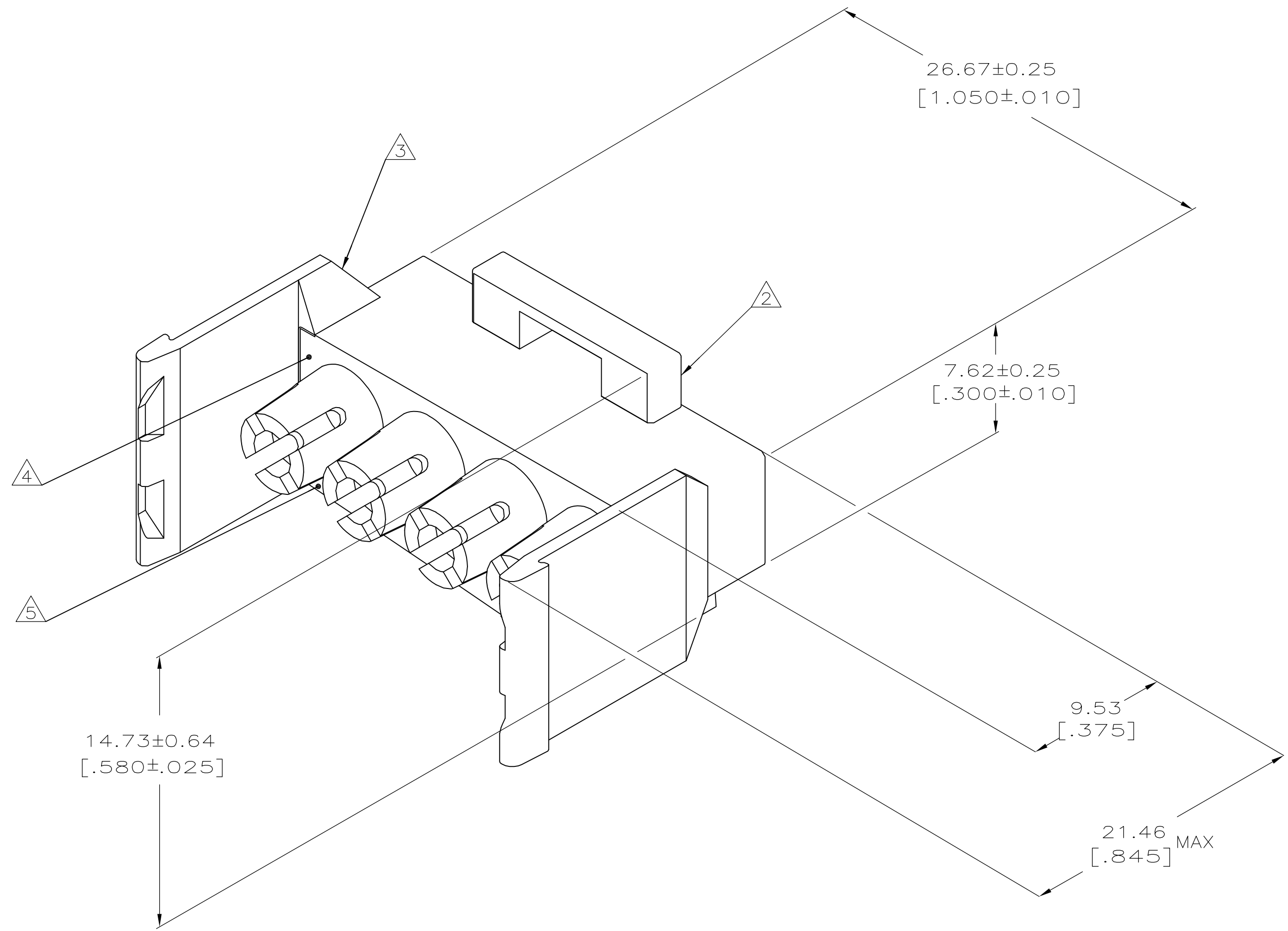


REVISIONS				
P	LTR	DESCRIPTION	DATE	DWN / APVD
D1		ECO-17-009556	03JUL2017	SW / RS



1. MUST BE ASSEMBLED WITH CAP FRONT P/N 770049-1 BEFORE MATING. KIT P/N IS 770026-1.
2. AMP LOGO LOCATED THIS SURFACE.
3. UL AND CSA LOGOS LOCATED THIS SURFACE.
4. CIRCUIT NO. 1 IDENTIFICATION BUTTON LOCATED APPROXIMATELY AS SHOWN FARSIDE.
5. LOCATION OF CIRCUIT NUMBERS MOVE BUT WILL REMAIN ADJACENT TO APPROPRIATE CAVITY (LOCATED FARSIDE).
6. DIMENSIONS SHOWN REPRESENT PRODUCT IN DRY, AS MOLDED, CONDITION. ADDITIONAL 2% GROWTH DUE TO SUBSEQUENT MOISTURE ABSORPTION MAY OCCUR AND SHOULD BE ACCOUNTED FOR.

770050-1
PART NUMBER

METRIC

THIS DRAWING IS A CONTROLLED DOCUMENT.		DWN K. SALMON 1-15-92	TE Connectivity	
DIMENSIONS: INCHES		CHK R. SWING 1-15-92	NAME CAP REAR, 4 CIRCUIT, UNIVERSAL MATE-N-LOK	
TOLERANCES UNLESS OTHERWISE SPECIFIED:		APVD -	PRODUCT SPEC -	
0 PLC ± -		APPLICATION SPEC -		
1 PLC ± -		SIZE A1		
2 PLC ± -		CAGE CODE 00779		
3 PLC ± 0.13 [.005]		DRAWING NO 770050		
4 PLC ± -		RESTRICTED TO -		
ANGLES ± ± -		WEIGHT 0.000000		
MATERIAL NYLON,UL94V-0,		FINISH -		
		CUSTOMER DRAWING		
		SCALE 5:1 SHEET 1 OF 1 REV D1		