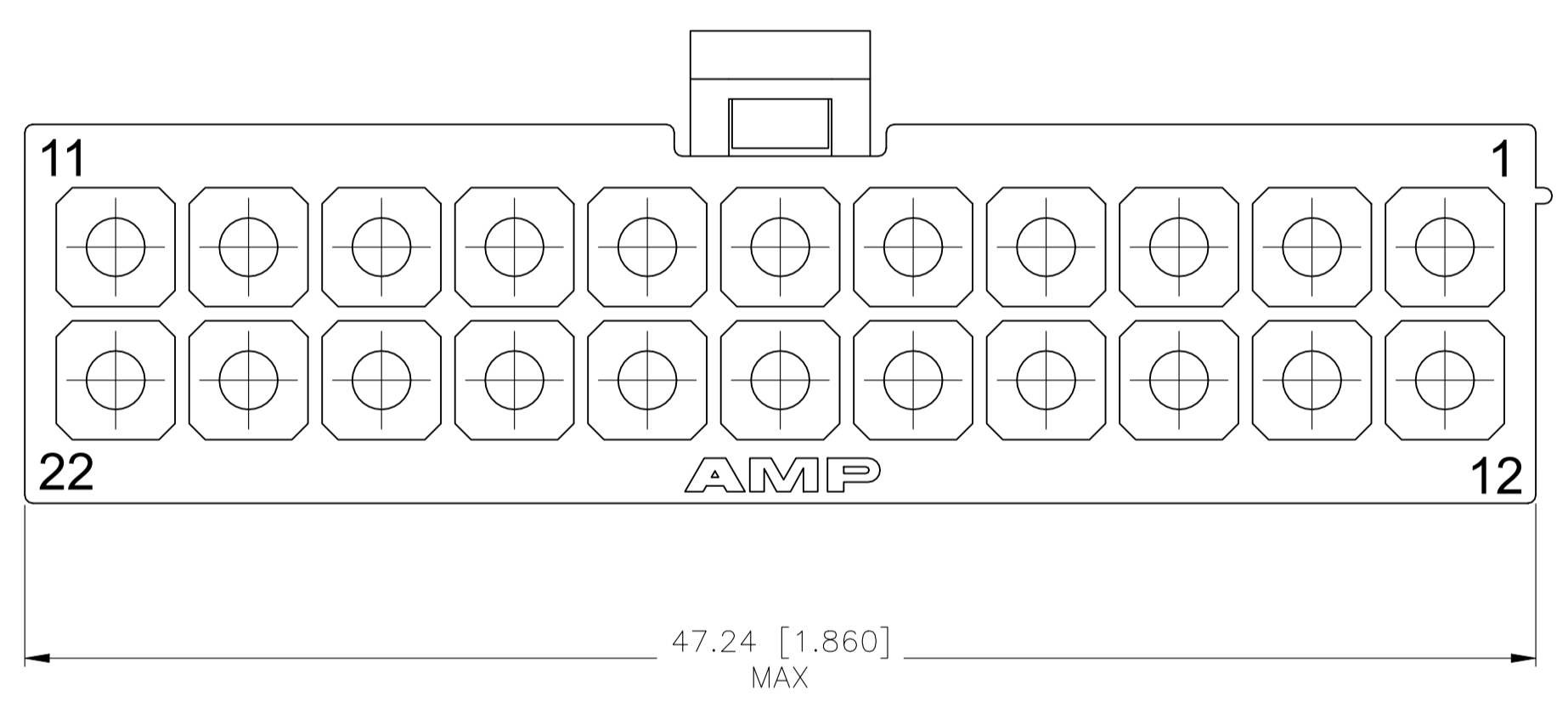
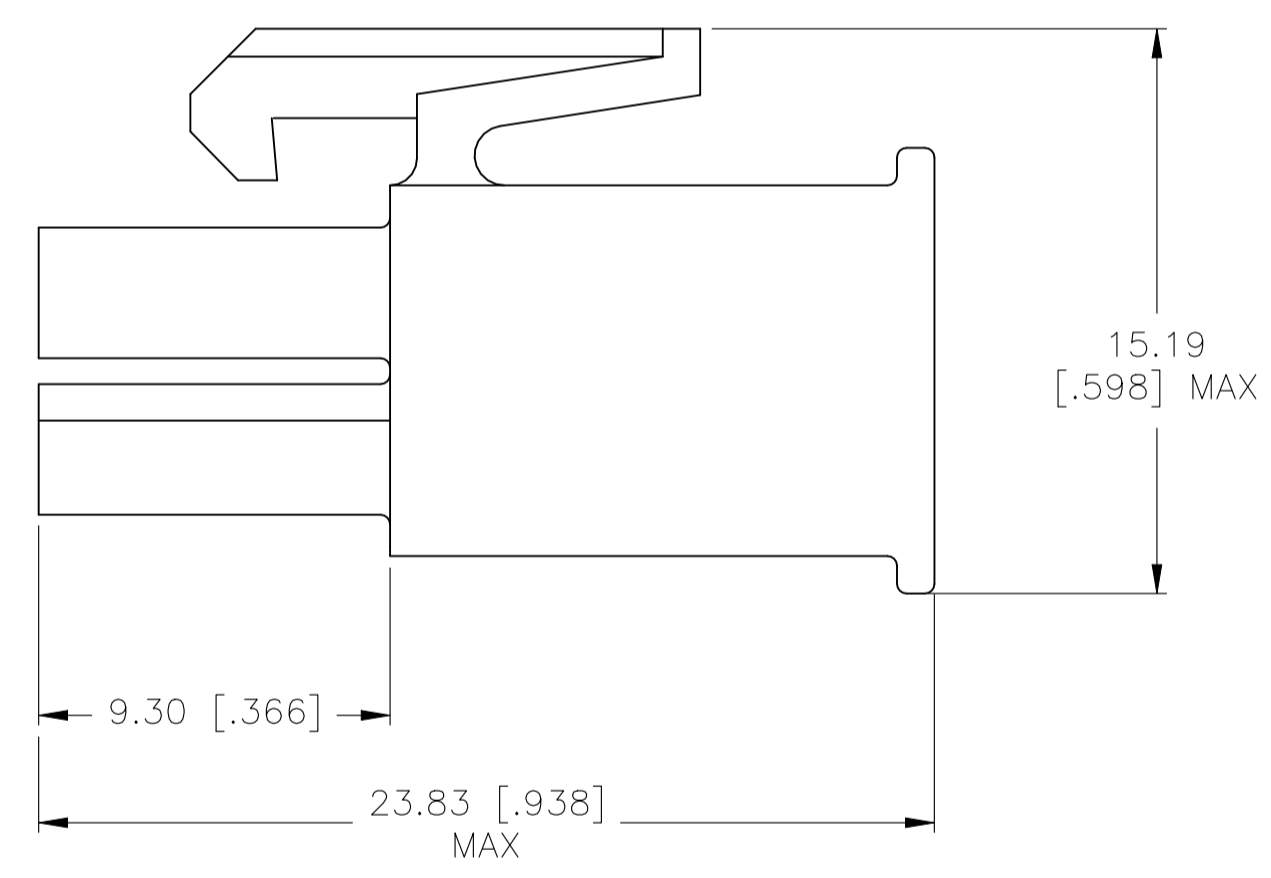
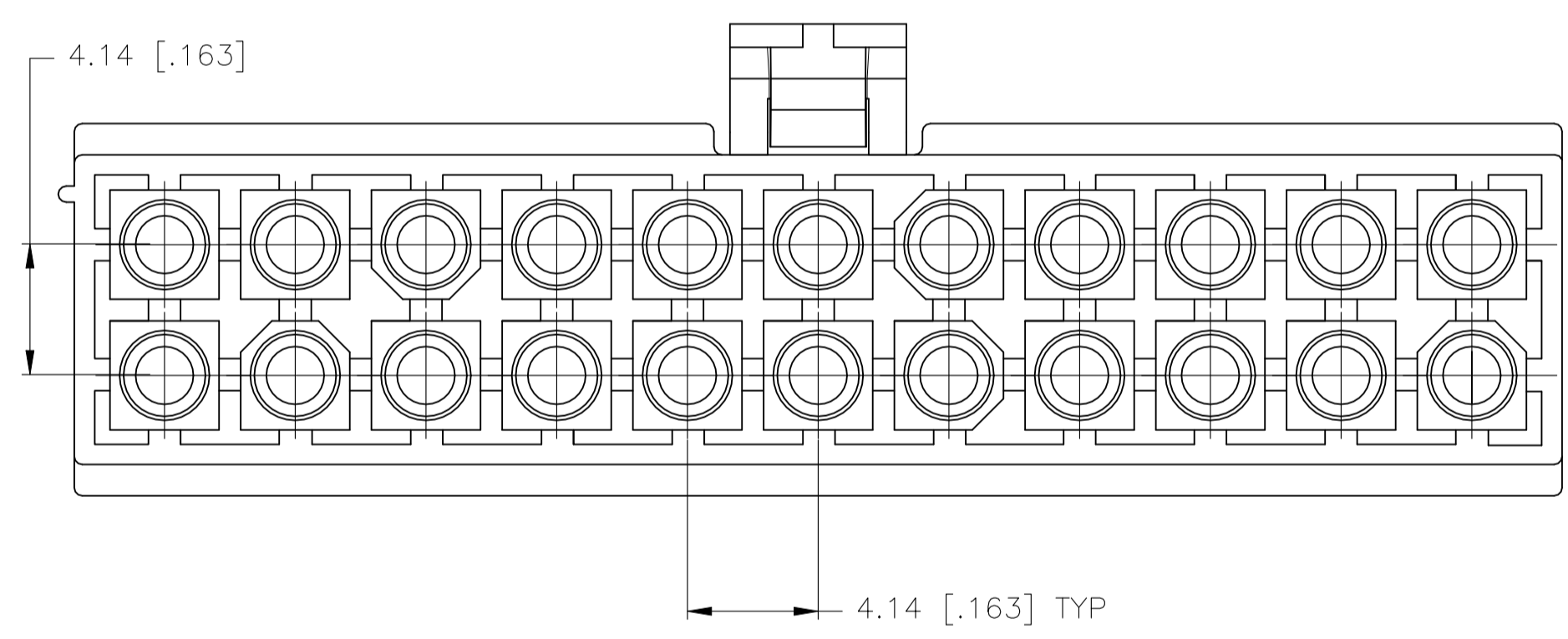


REVISIONS				
REV	DATE	DESCRIPTION	BY	APP'D
K	17MAY2024	REVISED PER ECR-24-208943	DK	JP

1. INDIVIDUAL CORING FEATURES AROUND BASES OF SILOS MAY NOT BE PRESENT IN ALL LOCATIONS SHOWN.
2. DIMENSIONS INDICATED IS AS MOLDED. ADDITIONAL GROWTH DUE TO SUBSEQUENT MOISTURE ABSORPTION MAY OCCUR



770586-1  
PART NUMBER

THIS DRAWING IS A CONTROLLED DOCUMENT.		DIN S. HOOVER 12-MAY-2004	TE Connectivity
DIMENSIONS: mm [INCHES]		CHK: C. JONES 12-MAY-2004	
TOLERANCES UNLESS OTHERWISE SPECIFIED:		APP'D: C. JONES 12-MAY-2004	NAME: PLUG, 22 CIRCUIT, MINI UNIVERSAL MATE-N-LOK™
0. PLC ±	1. PLC ±	PRODUCT SPEC	APPLICATION SPEC
2. PLC ±	3. PLC ± 0.13 [.005]	APPLY TO:	RESTRICTED TO:
4. PLC ±	ANGLES ±	FINISH	SCALE: 4:1 SHEET 1 of 1 REV K
MATERIAL: NYLON, UL 94V-0 WHITE		WEIGHT: A1 00779 C=770586	CUSTOMER DRAWING