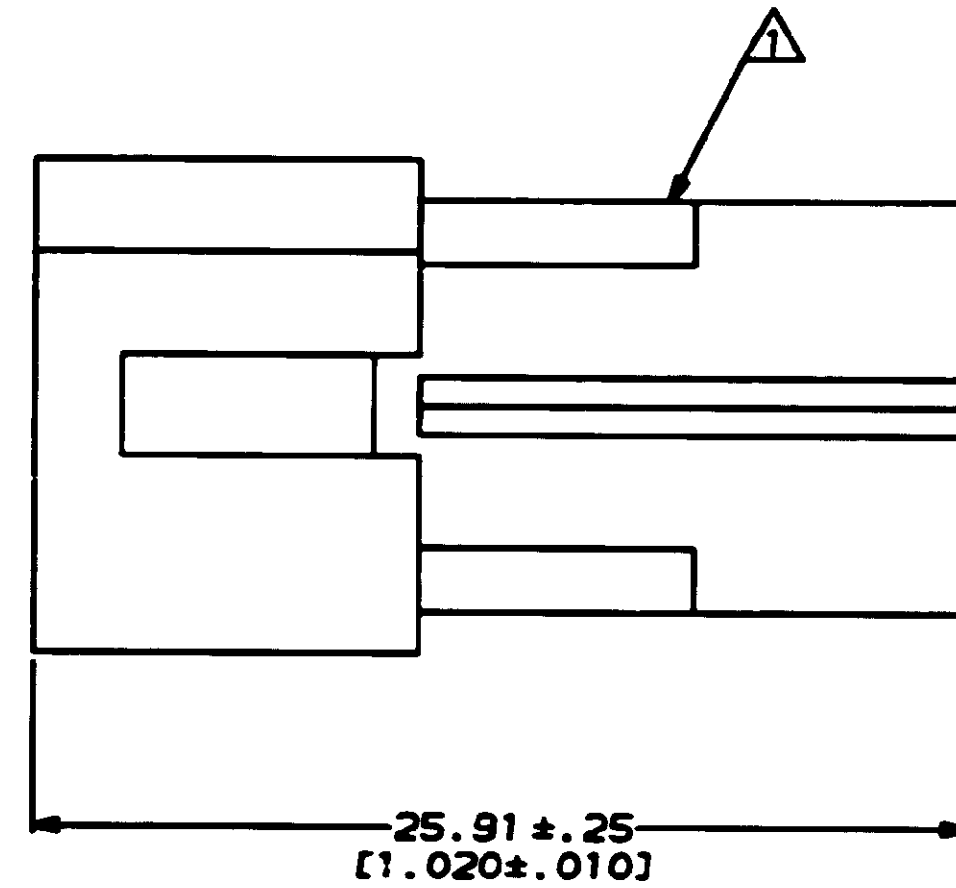
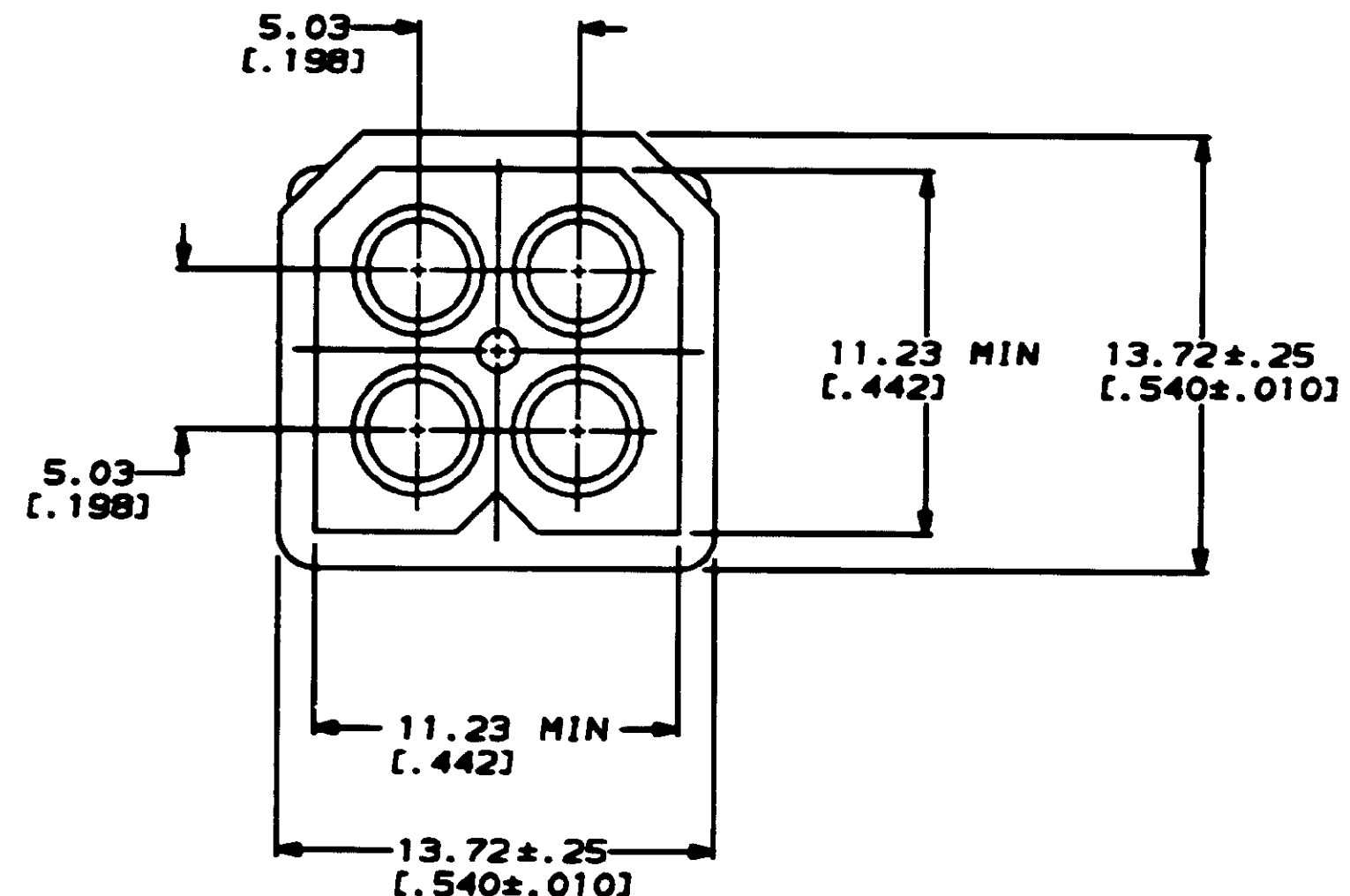
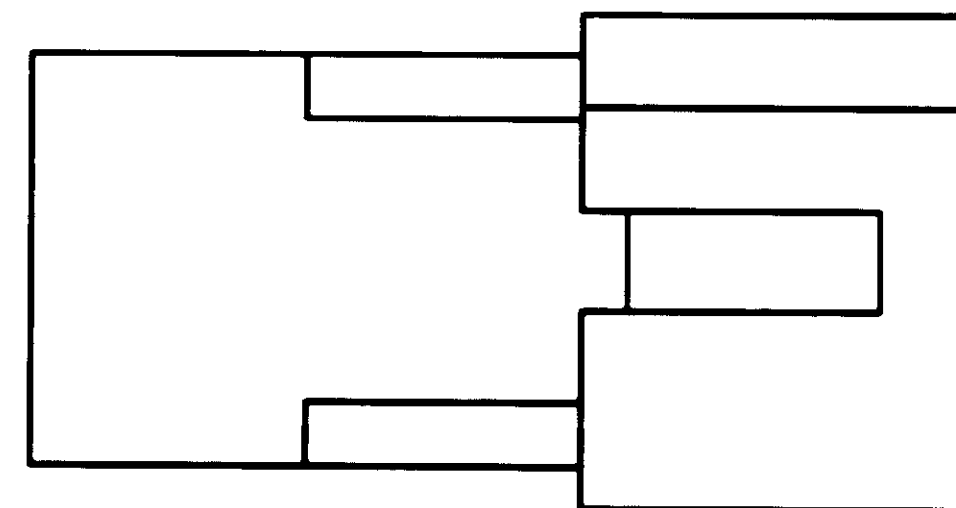
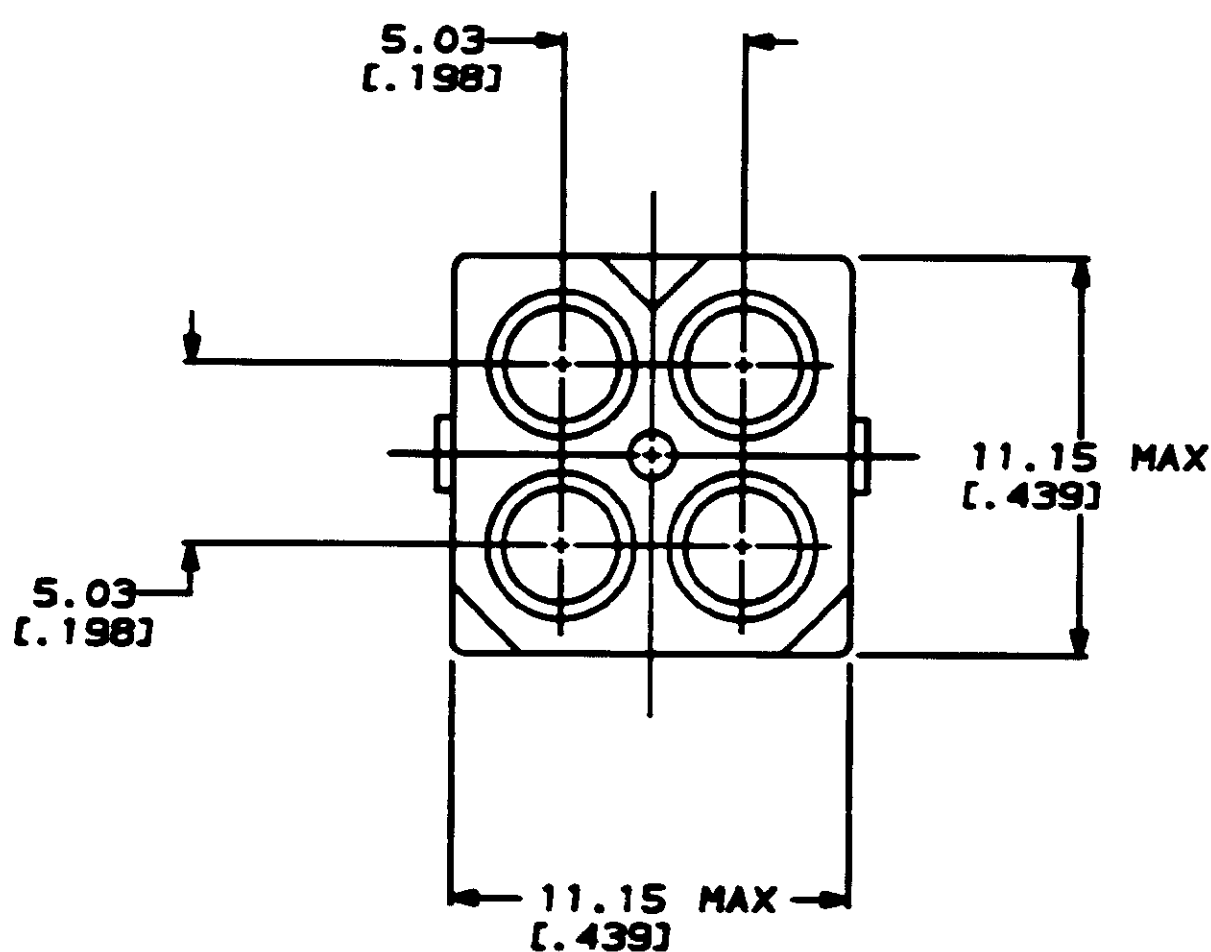


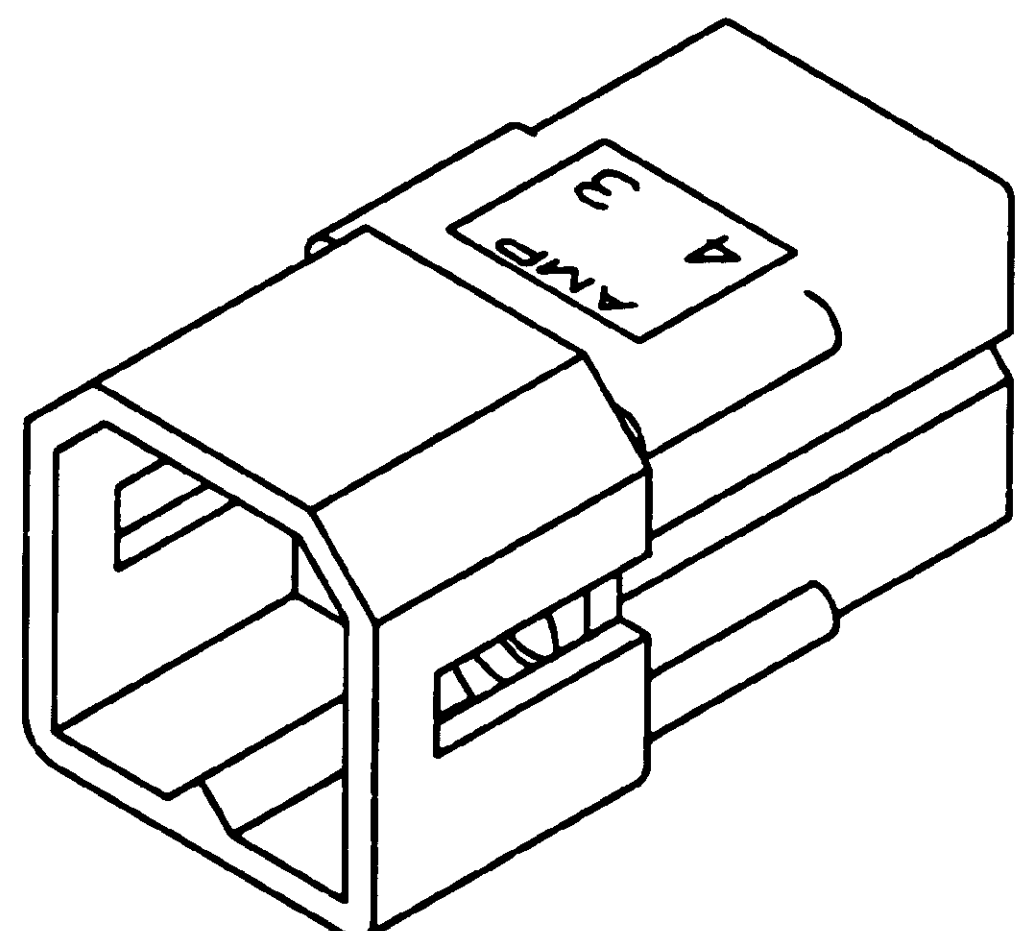
REVISIONS			
REV	DATE	DESCRIPTION	APPD
A	2-7-94	REVISED PER EC 0730-4357-93	LS



△ AMP LOGS LOCATED THIS SURFACE.
 2. DIMENSIONS IN BRACKETS ARE IN INCHES.



MATING CONNECTOR INTERFACE



3-DIMENSIONAL MODEL
 NTS

METRIC

DO NOT SCALE PRINT. UNLESS SPECIFIED DIMENSIONS IN mm (INCHES) TOLERANCES ON: 2 PLC DEC ± . - 3 PLC DEC ± 0.13 (.005) ANGLES ± 1°-0'		DR 6-13-91 T. BECK CR 6-13-91 R. SWINE APPD 6-13-91 C. CASH APPD 6-13-91 C. CASH PRODUCT SPEC - APPLICATION SPEC - WEIGHT -		770842-1 PART NO AMP AMP Incorporated Harrisburg, PA 17106-3808 NAME PLUG, 4 CIRCUIT .093 PIN AND SOCKET SIZE D 00779 SCALE 5:1 DRAWING NO 770842 SHEET 1 OF 1	
--	--	--	--	---	--