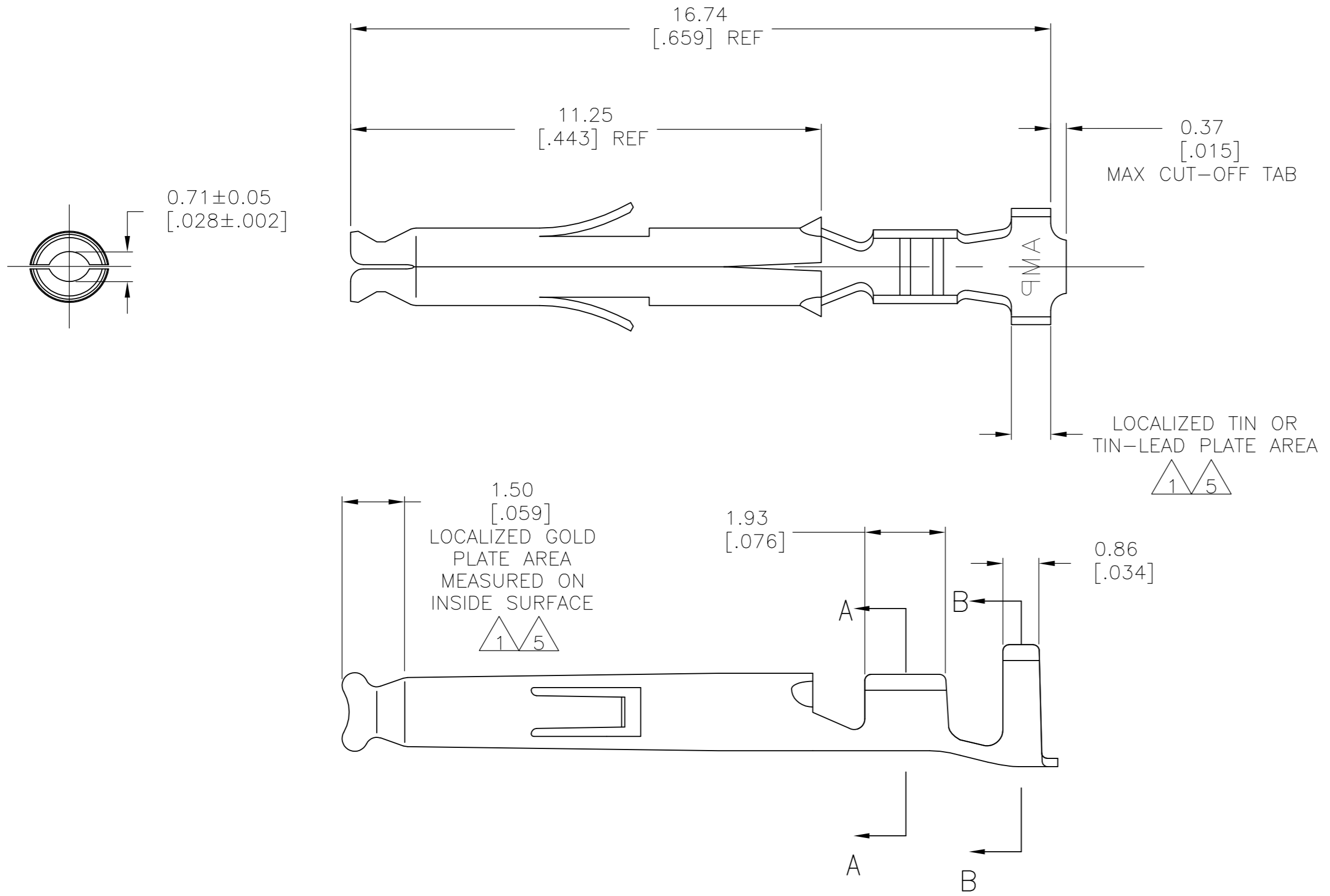
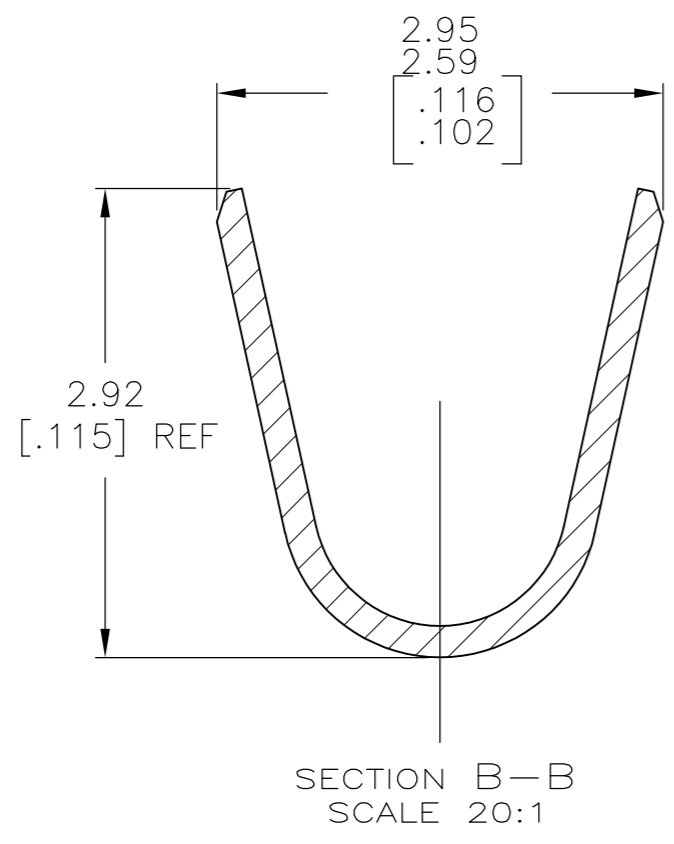
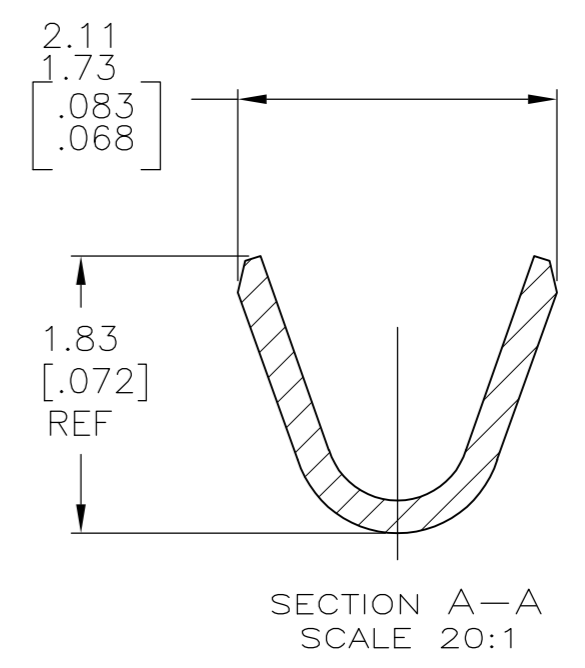


THIS DRAWING IS UNPUBLISHED. RELEASED FOR PUBLICATION
 © COPYRIGHT - By - ALL RIGHTS RESERVED.

LOC		DIST		REVISIONS			
P	LTR	DESCRIPTION		DATE	DWN	APVD	
CM	00	H2	REVISED PER ECO-11-004820		11MAR11	RK	HMR



- 1 0.00076 [.000030] MIN GOLD IN LOCALIZED GOLD PLATE AREA AND 0.00254 [.000100] MIN BRIGHT TIN-LEAD IN LOCALIZED TIN-LEAD PLATE AREA OVER 0.0013 [.000050] MIN NICKEL.
- 2. WIRE RANGE: 0.12-0.4mm² (26-22 AWG).
- 3. INSULATION RANGE: 1.20-1.75 [.047-.069] DIA.
- 4. DIMENSIONS IN BRACKETS ARE IN INCHES.
- 5 0.00076 [.000030] MIN GOLD IN LOCALIZED GOLD PLATE AREA AND 0.00254 [.000100] MIN BRIGHT TIN IN LOCALIZED TIN PLATE AREA OVER 0.0013 [.000050] MIN NICKEL.
- 6 OBSOLETE PARTS: OBSOLETE CIS STREAMLINING PER D.RENAUD/D.SINISI



FINISH	MATERIAL	PART NUMBER
6 OBSOLETE	5 0.20 [.008] PH BRZ	4-770986-1
	5 0.20 [.008] BRASS	1-770986-0
	1 0.20 [.008] BRASS	770986-3
	PRE-TIN 0.20 [.008] BRASS	770986-1

METRIC

THIS DRAWING IS A CONTROLLED DOCUMENT.

DWN S. HOOVER 18OCT02
 CHK C. JONES 18OCT02
 APVD C. JONES 18OCT02

TE Connectivity

SOCKET, LOOSE PIECE, MINI UNIVERSAL MATE-N-LOK(TM)

SIZE A2 CAGE CODE 00779 C=770986 DRAWING NO 770986 RESTRICTED TO -

MATERIAL SEE TABLE FINISH SEE TABLE WEIGHT - SCALE 10:1 SHEET 1 OF 1 REV H2

CUSTOMER DRAWING