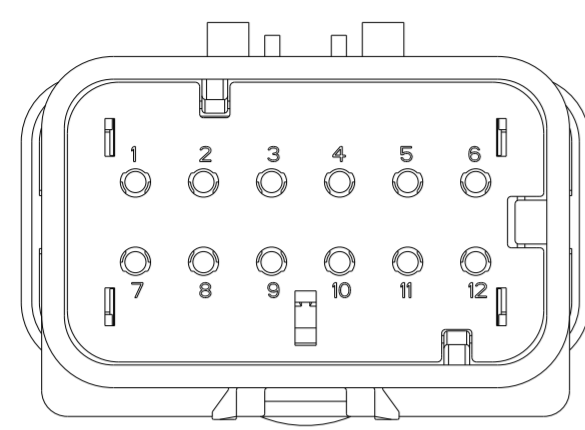
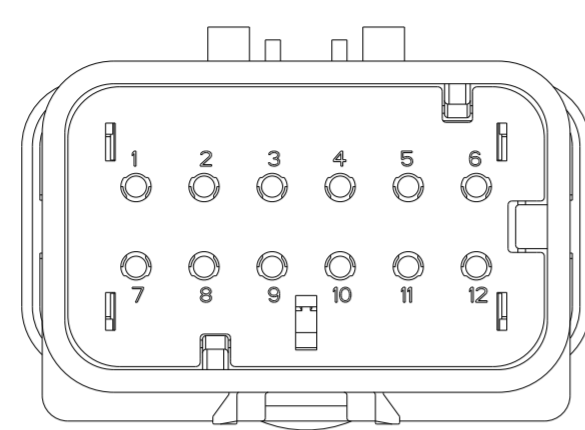


THIS DRAWING IS UNPUBLISHED. RELEASED FOR PUBLICATION
 © COPYRIGHT 20 BY - ALL RIGHTS RESERVED.

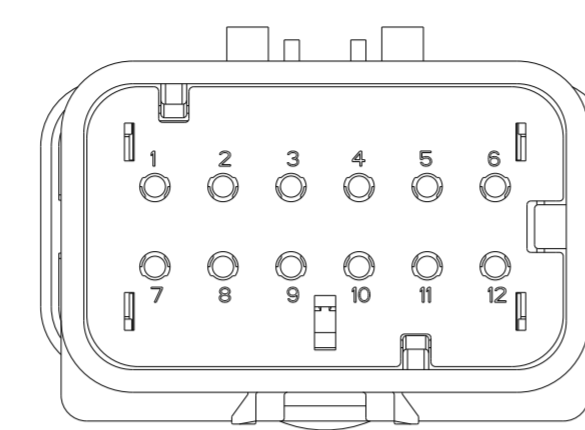
REVISIONS					
P	LTR	DESCRIPTION	DATE	DWN	APVD
C	I	REVISED PER ECO-11-005294	20APR2011	RK	HMR
D		REVISED PER ECO-13-019231	09DEC2013	DR	RB
D	I	REVISED PER PCN-23-190965	31OCT2023	AP	CB



776438-2
SCALE 2:1

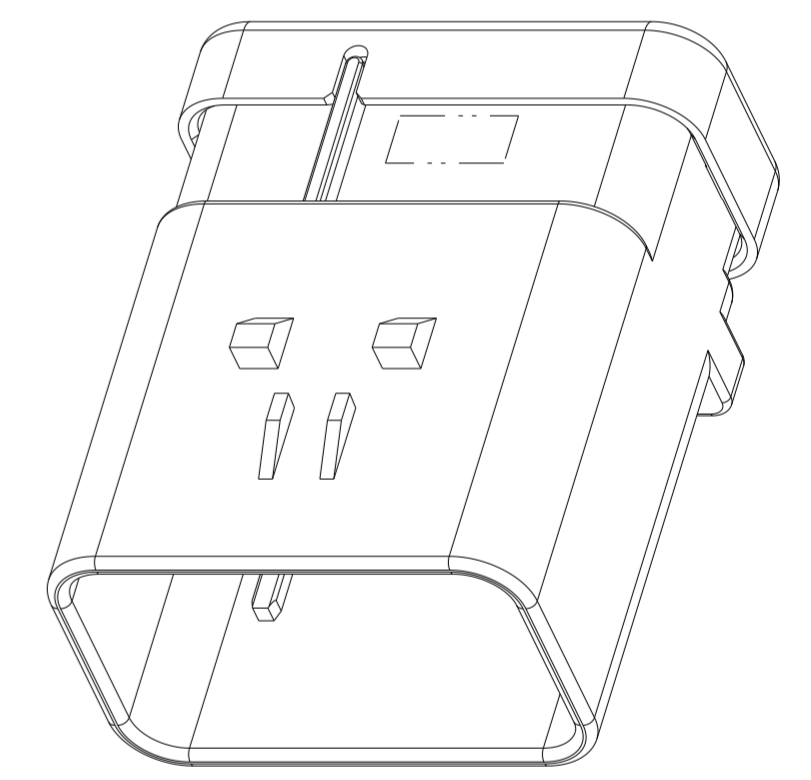
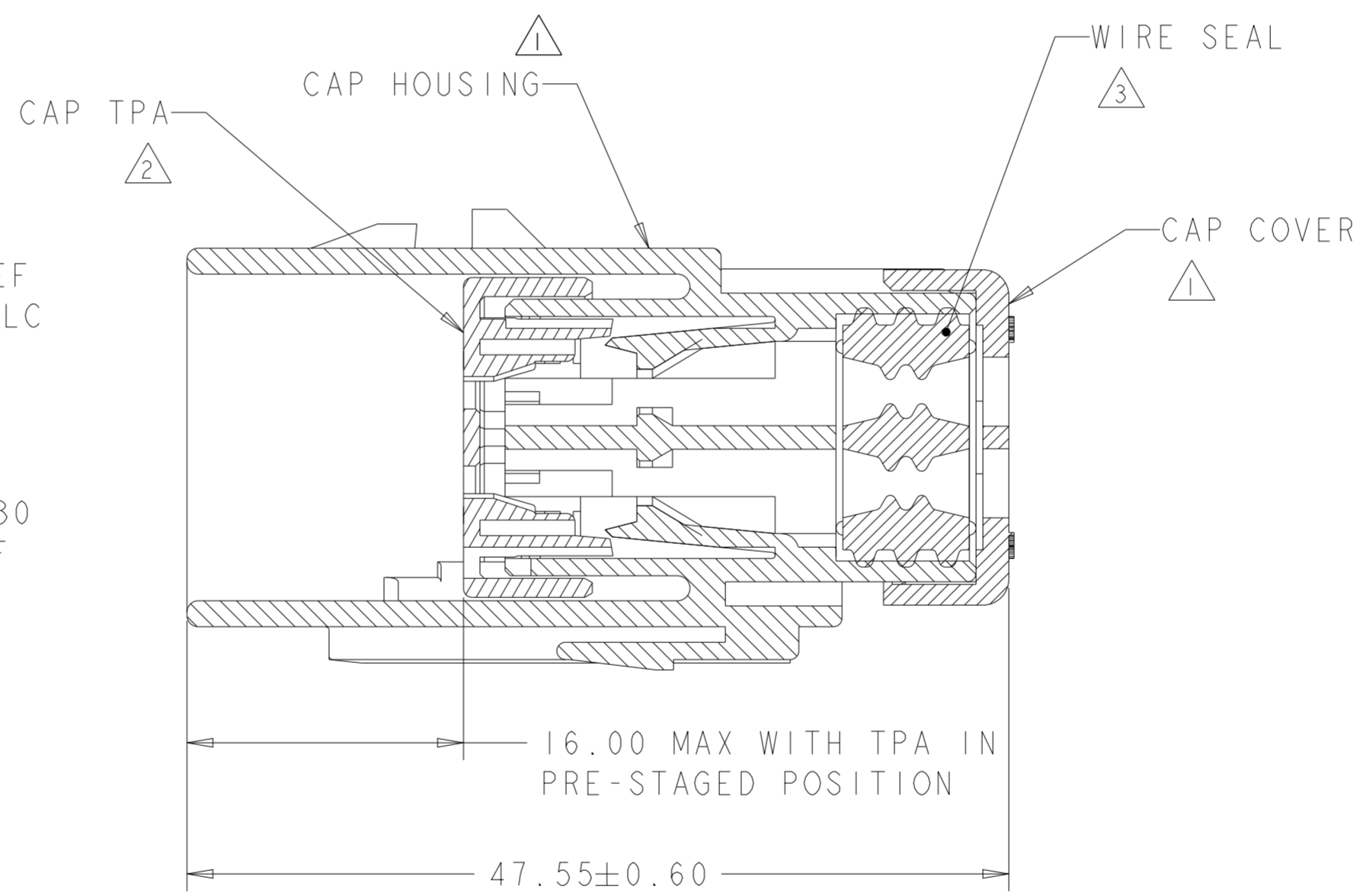
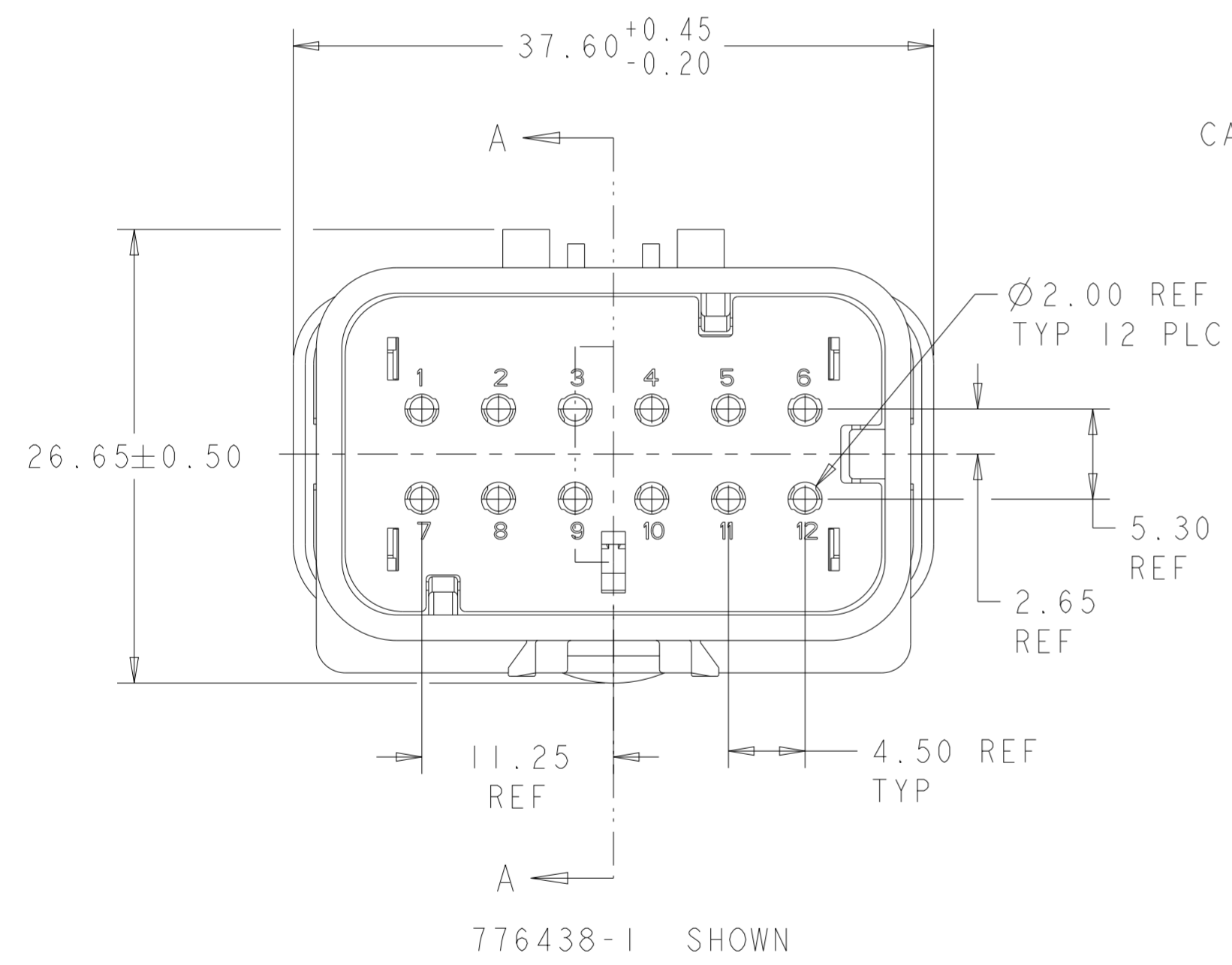


776438-3
SCALE 2:1



776438-4
SCALE 2:1

- ① MATERIAL: 15% GLASS FILLED THERMOPLASTIC
COLOR: BLACK
- ② MATERIAL: 15% GLASS FILLED THERMOPLASTIC
COLOR: (SEE TABLE)
- ③ MATERIAL: SILICONE
COLOR: GREEN



SCALE 2:1

GREEN	776438-4
YELLOW	776438-3
GRAY	776438-2
RED	776438-1
TPA COLOR	PART NUMBER

THIS DRAWING IS A CONTROLLED DOCUMENT.		DWN AJ GRAFF 06DEC99	TE Connectivity		
DIMENSIONS: mm		CHK R GREINER 03JAN02			
TOLERANCES UNLESS OTHERWISE SPECIFIED:		APVD M. TRULL 03JAN02	NAME CAP ASSEMBLY, 12 POSITION, DUAL ROW, AMPSEAL 16		
0 PLC ±		PRODUCT SPEC 108-2184	SIZE A2	CAGE CODE -	DRAWING NO G-776438
1 PLC ±		APPLICATION SPEC 114-13065	WEIGHT 22.5±1g	RESTRICTED TO -	
2 PLC ±			Customer Drawing	SCALE 3:1	SHEET 1
3 PLC ±				OF 1	REV D1
4 PLC ±					
ANGLES ±					
FINISH -					