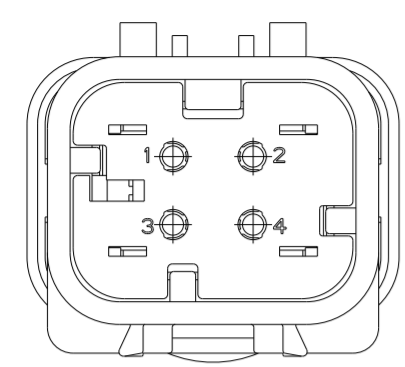
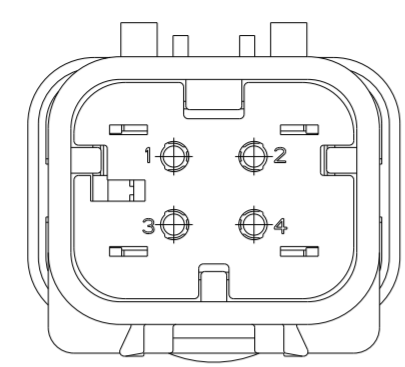


THIS DRAWING IS UNPUBLISHED. RELEASED FOR PUBLICATION. ALL RIGHTS RESERVED.

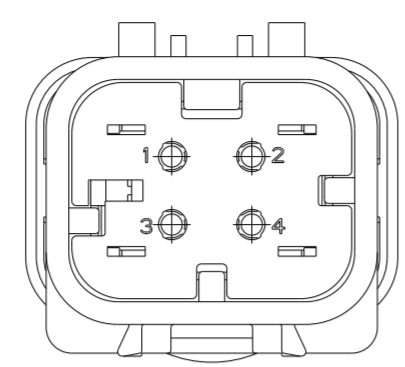
REVISIONS				
P	LTR	DESCRIPTION	DATE	APVD
D		REVISED PER ECO-13-019168	05DEC2013	DR RB
DI		REVISED PER PCN-23-190965	31OCT2023	AP CB



776488-2
SCALE 2:1

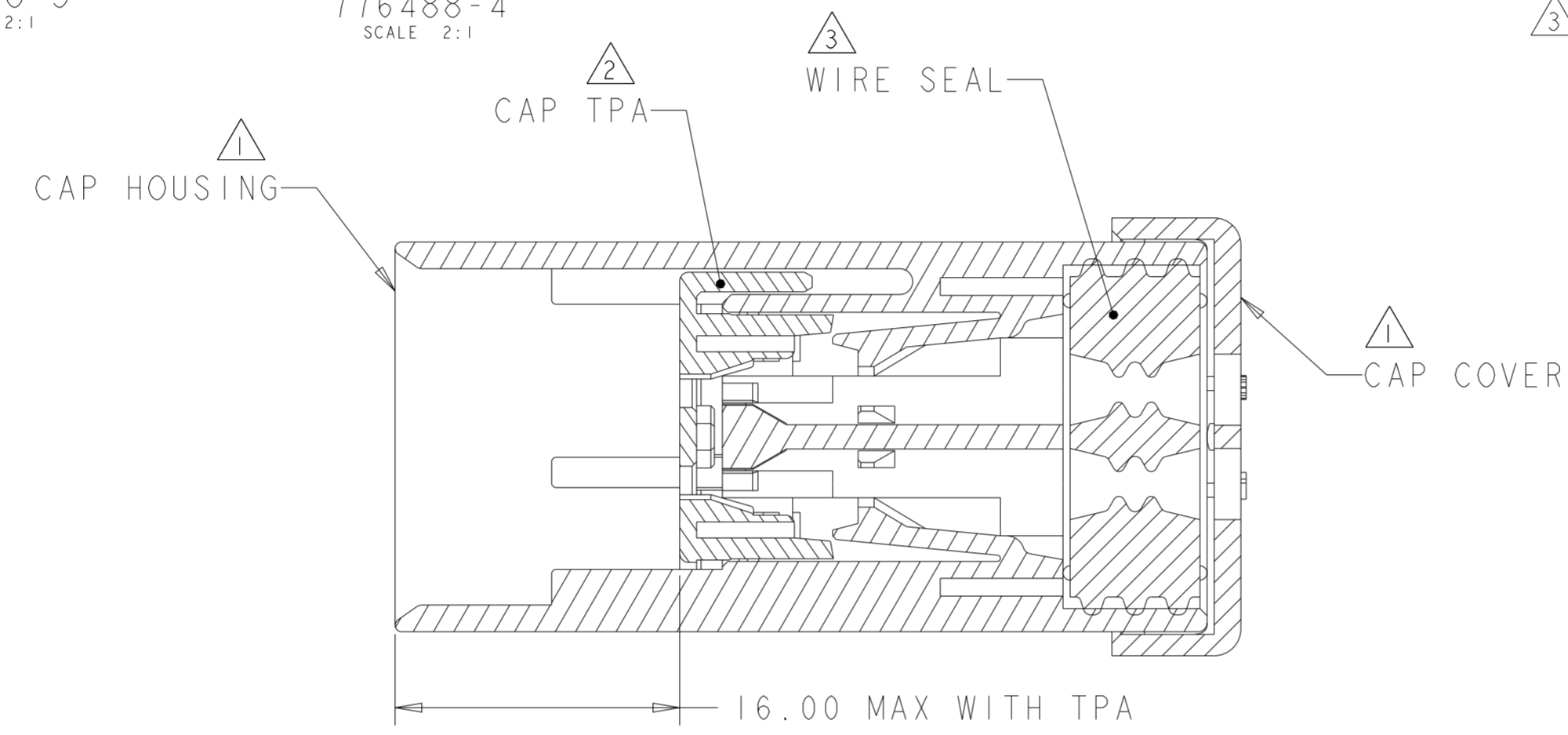


776488-3
SCALE 2:1

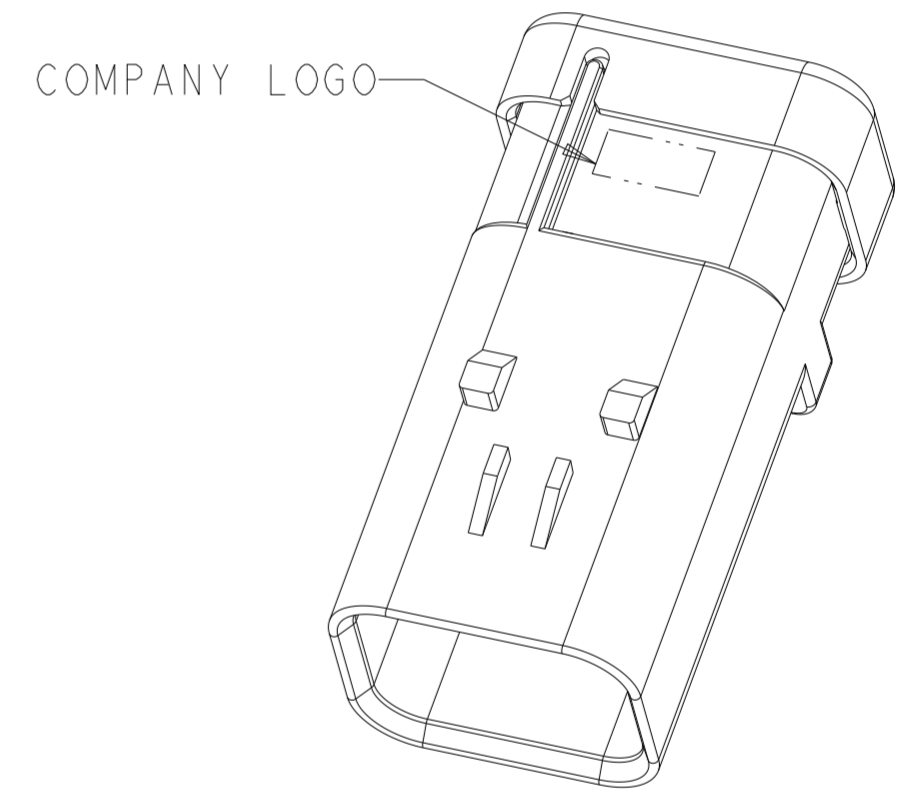


776488-4
SCALE 2:1

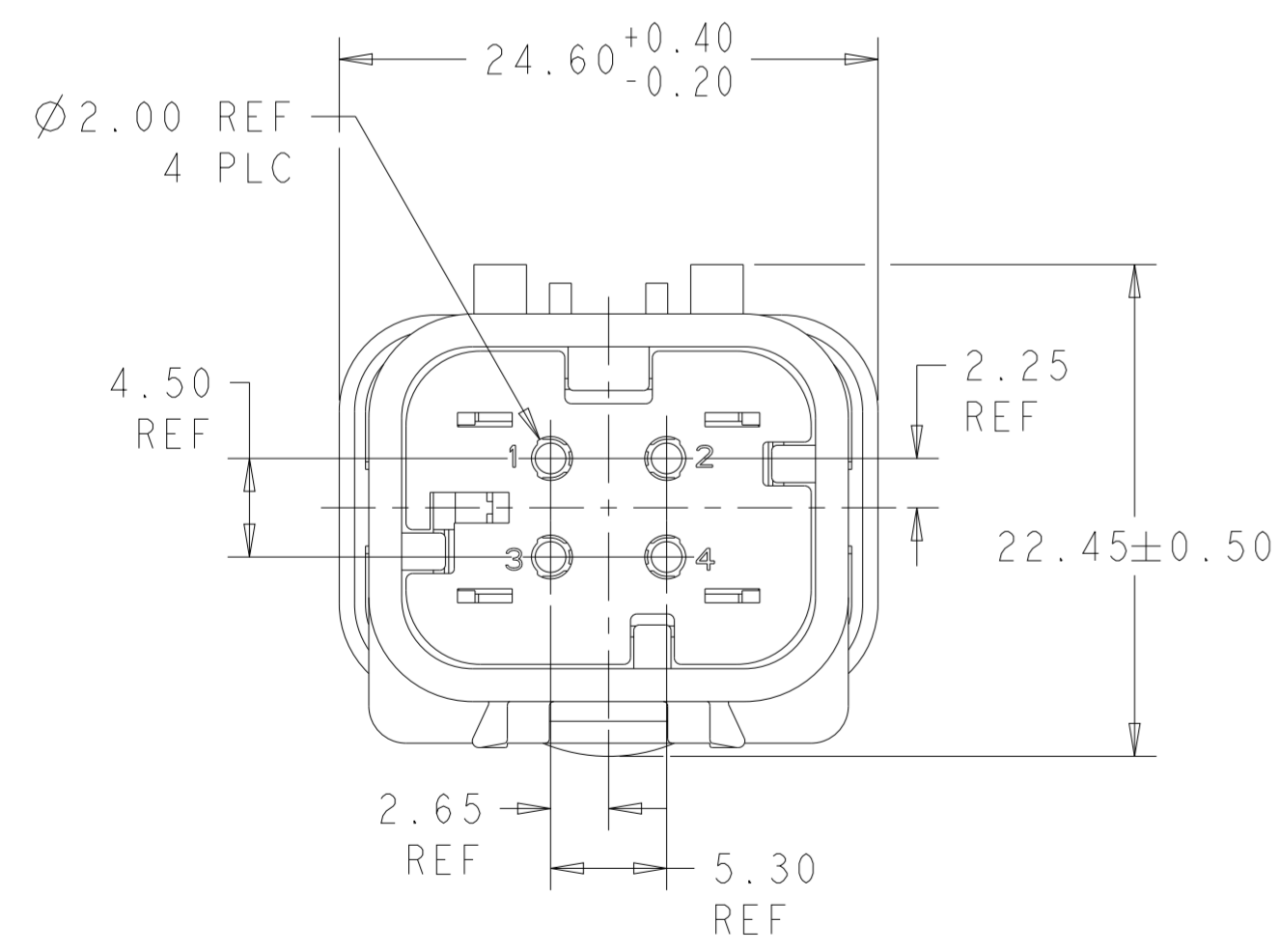
- ① MATERIAL: 15% GLASS FILLED THERMOPLASTIC
COLOR: BLACK
- ② MATERIAL: 15% GLASS FILLED THERMOPLASTIC
COLOR: (SEE TABLE)
- ③ MATERIAL: SILICONE
COLOR: GREEN



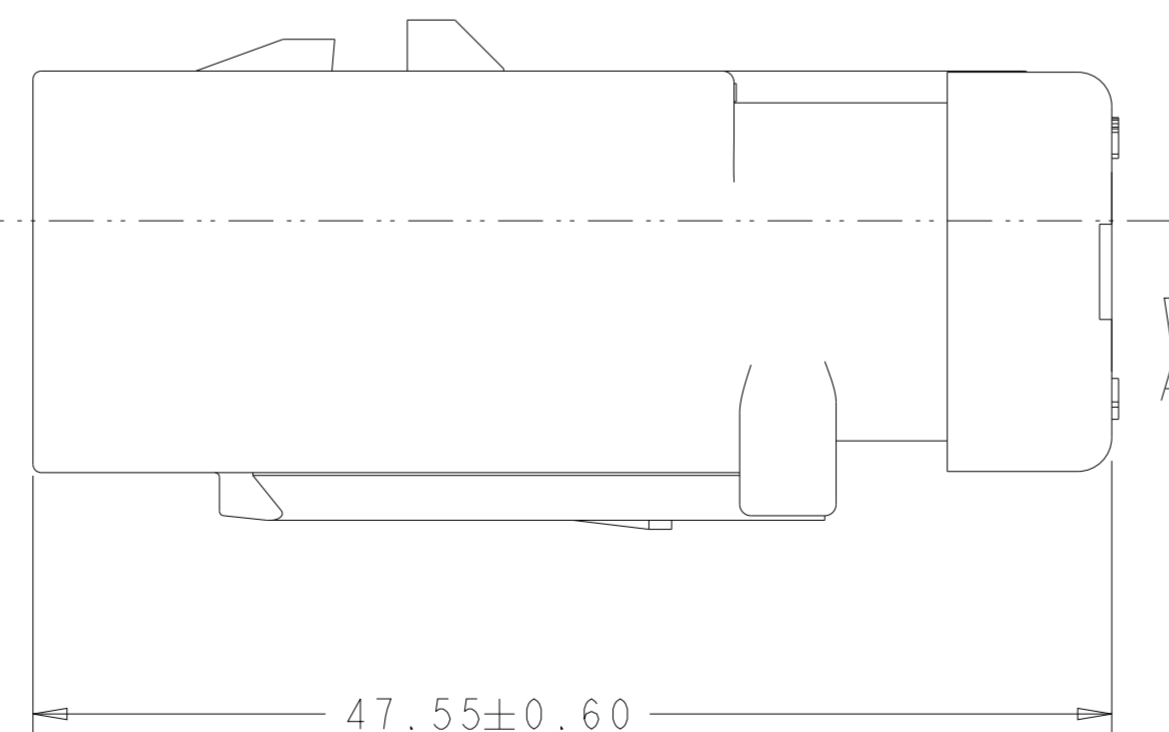
SECTION A-A



SCALE 2:1



776488-1 SHOWN



GREEN	776488-4
YELLOW	776488-3
GRAY	776488-2
RED	776488-1
TPA COLOR	PART NUMBER

THIS DRAWING IS A CONTROLLED DOCUMENT.

DIMENSIONS:	TOLERANCES UNLESS OTHERWISE SPECIFIED:	DWN W HOELSCHER 16DEC02	 TE Connectivity
mm	0 PLC ±	CHK B SIMPSON 18DEC02	
	1 PLC ±	APVD D KLEIN 18DEC02	
	2 PLC ±	PRODUCT SPEC 108-2184	
	3 PLC ±	APPLICATION SPEC 114-13065	NAME
	4 PLC ±	WEIGHT 14	SIZE CAGE CODE DRAWING NO RESTRICTED TO
	ANGLES ±	Customer Drawing	A200779 C-776488
	FINISH -	SCALE 3:1	SHEET 1 OF 1
			REV DI