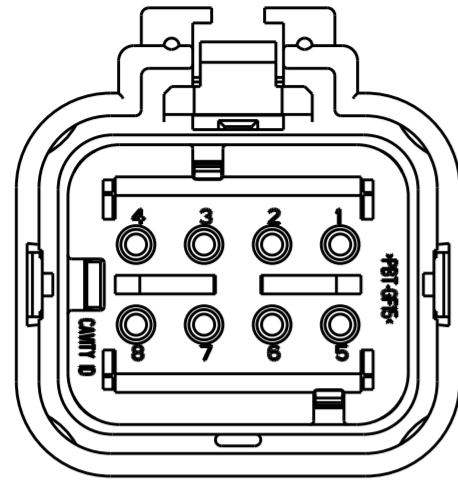
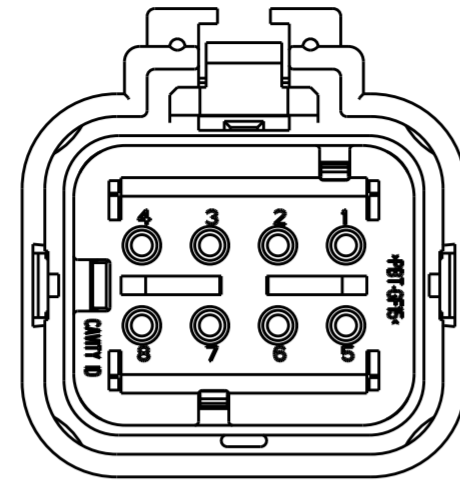


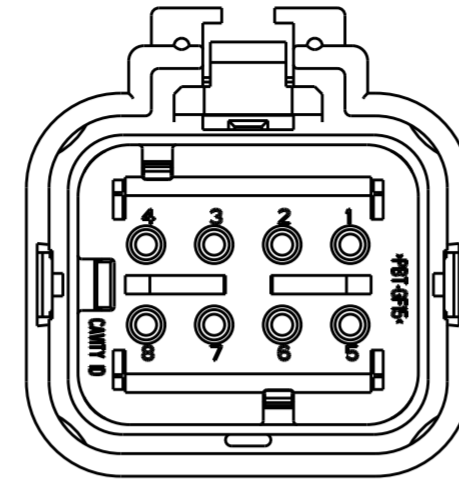
REVISIONS					
P	LTR	DESCRIPTION	DATE	DWN	APVD
	D1	REVISED PER ECO -11-005294	30APR2011	RK	HMR
	E	REVISED PER ECO -13-019231	09DEC2013	DR	RB



776494-2  
SCALE 2:1

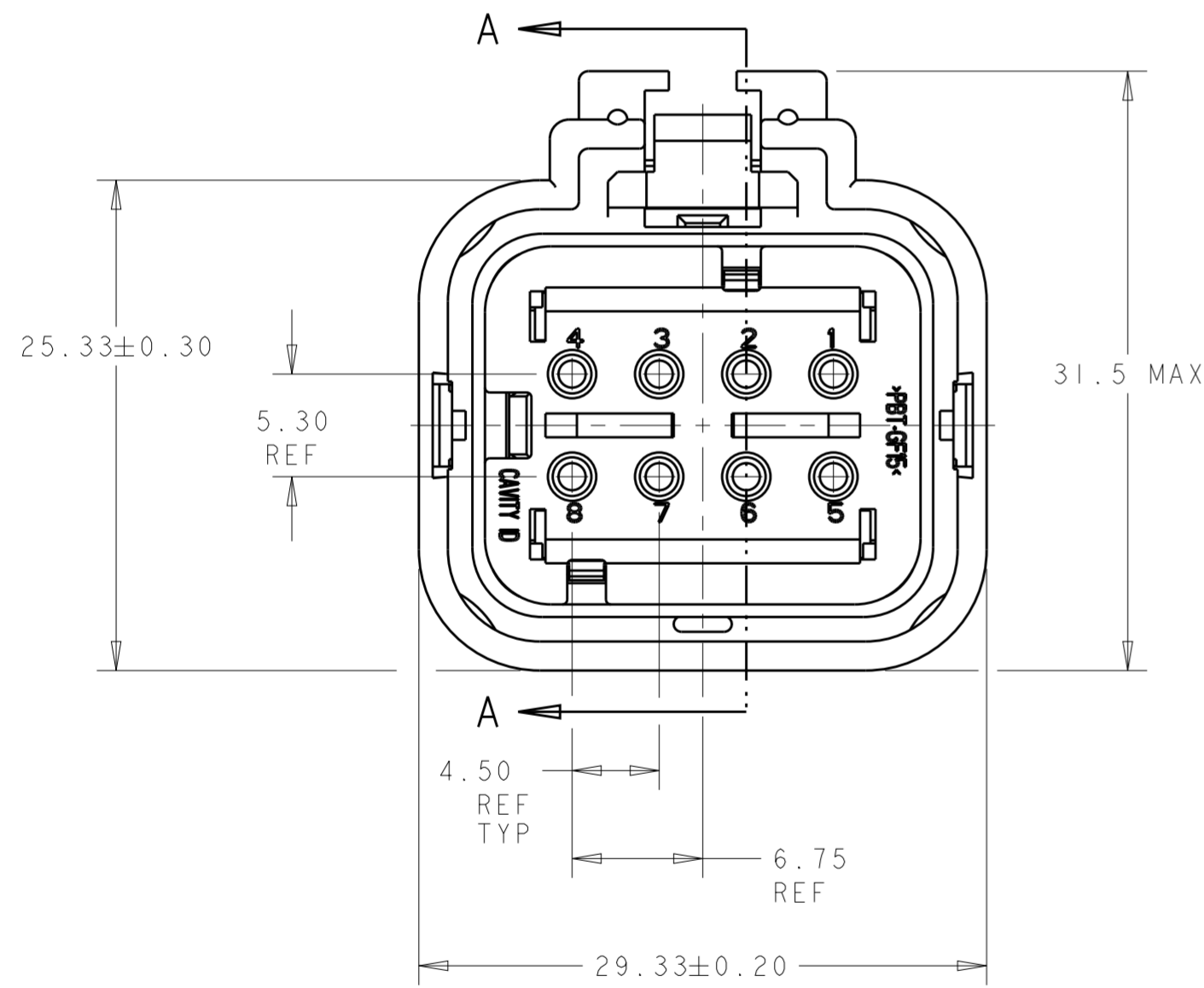


776494-3  
SCALE 2:1

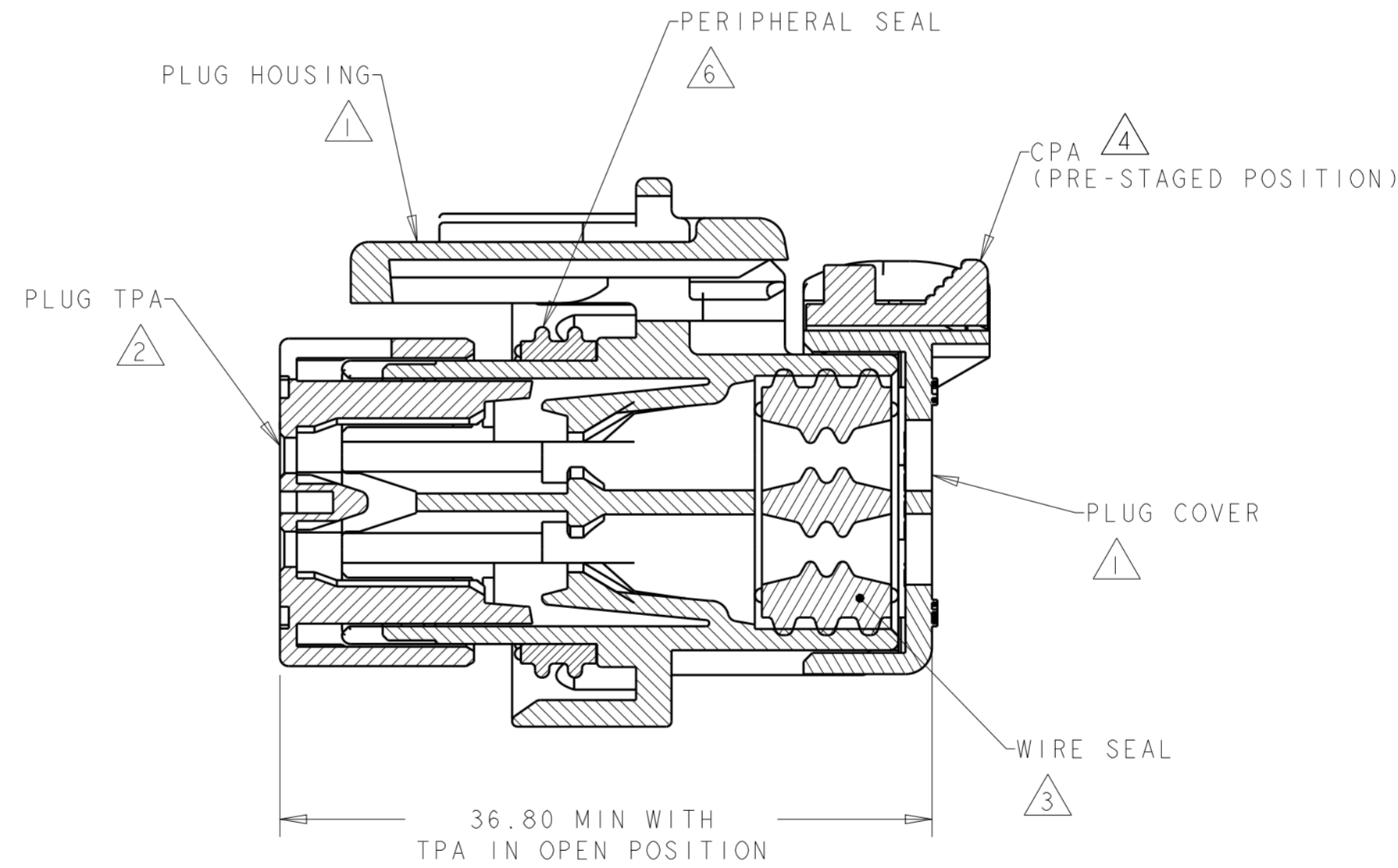


776494-4  
SCALE 2:1

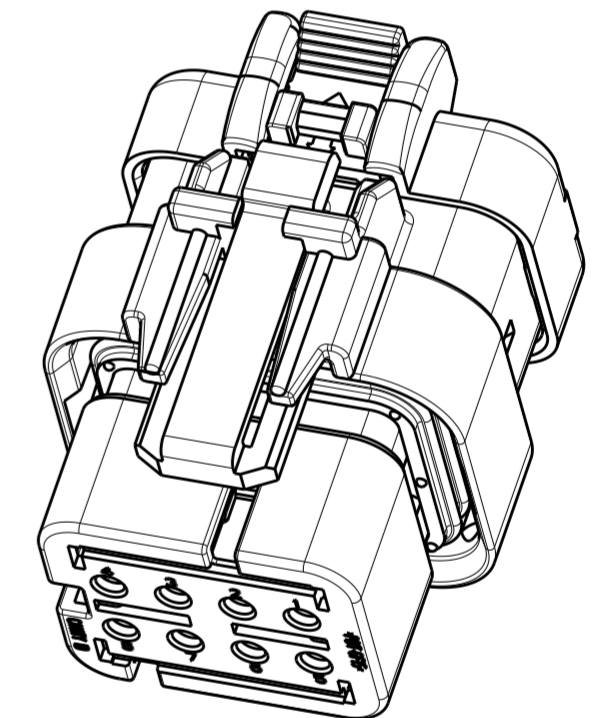
- 1 MATERIAL: 15% GLASS FILLED THERMOPLASTIC  
COLOR: BLACK
- 2 MATERIAL: 15% GLASS FILLED THERMOPLASTIC  
COLOR: (SEE TABLE)
- 3 MATERIAL: SILICONE  
COLOR: GREEN
- 4 MATERIAL: 15% GLASS FILLED THERMOPLASTIC  
COLOR: RED
- 5. RECOMMENDED WIRE DIAMETER RANGE IS 2.18 TO 3.67mm.
- 6 MATERIAL: SILICONE  
COLOR: TAN



776494-1 SHOWN



SECTION A-A



SCALE 2:1

GREEN	776494-4
YELLOW	776494-3
GRAY	776494-2
RED	776494-1
TPA COLOR	PART NUMBER

THIS DRAWING IS A CONTROLLED DOCUMENT.		DWN B. SIMPSON 05NOV2002	TE Connectivity																	
DIMENSIONS: mm		CHK D. KLEIN 05NOV2002																		
TOLERANCES UNLESS OTHERWISE SPECIFIED:		APVD D. KLEIN 05NOV2002	NAME PLUG ASSEMBLY, 8 POSITION, DUAL ROW, AMPSEAL 16																	
<table border="1"> <tr><td>0 PLC</td><td>±</td></tr> <tr><td>1 PLC</td><td>±</td></tr> <tr><td>2 PLC</td><td>±</td></tr> <tr><td>3 PLC</td><td>±</td></tr> <tr><td>4 PLC</td><td>±</td></tr> <tr><td>ANGLES</td><td>±</td></tr> <tr><td>FINISH</td><td>-</td></tr> </table>		0 PLC	±	1 PLC	±	2 PLC	±	3 PLC	±	4 PLC	±	ANGLES	±	FINISH	-	PRODUCT SPEC 108-2184	SIZE A2	CAGE CODE -	DRAWING NO G-776494	RESTRICTED TO -
0 PLC	±																			
1 PLC	±																			
2 PLC	±																			
3 PLC	±																			
4 PLC	±																			
ANGLES	±																			
FINISH	-																			
MATERIAL -		APPLICATION SPEC 114-13065	WEIGHT 16±1g	SCALE 3:1	SHEET 1	REV E														
		Customer Drawing																		