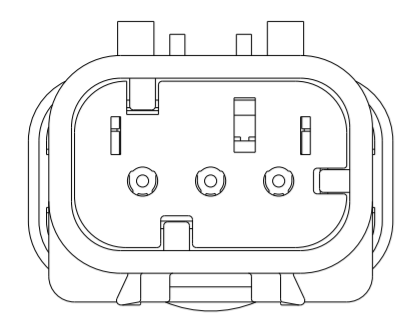
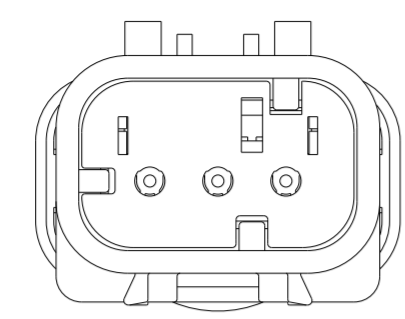


THIS DRAWING IS UNPUBLISHED. RELEASED FOR PUBLICATION  
 © COPYRIGHT 20 BY - ALL RIGHTS RESERVED.

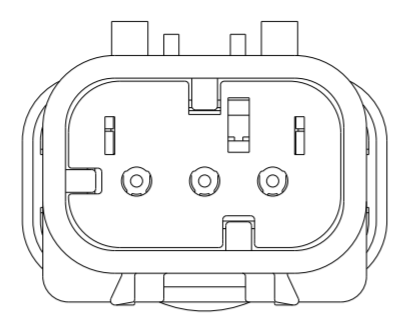
REVISIONS				
P	LTR	DESCRIPTION	DATE	APVD
C		REVISED PER ECO-13-019095	05DEC2013	DR RB
CI		REVISED PER PCN-23-190965	31OCT2023	AP CB



776535-2  
SCALE 2:1  
KEY B

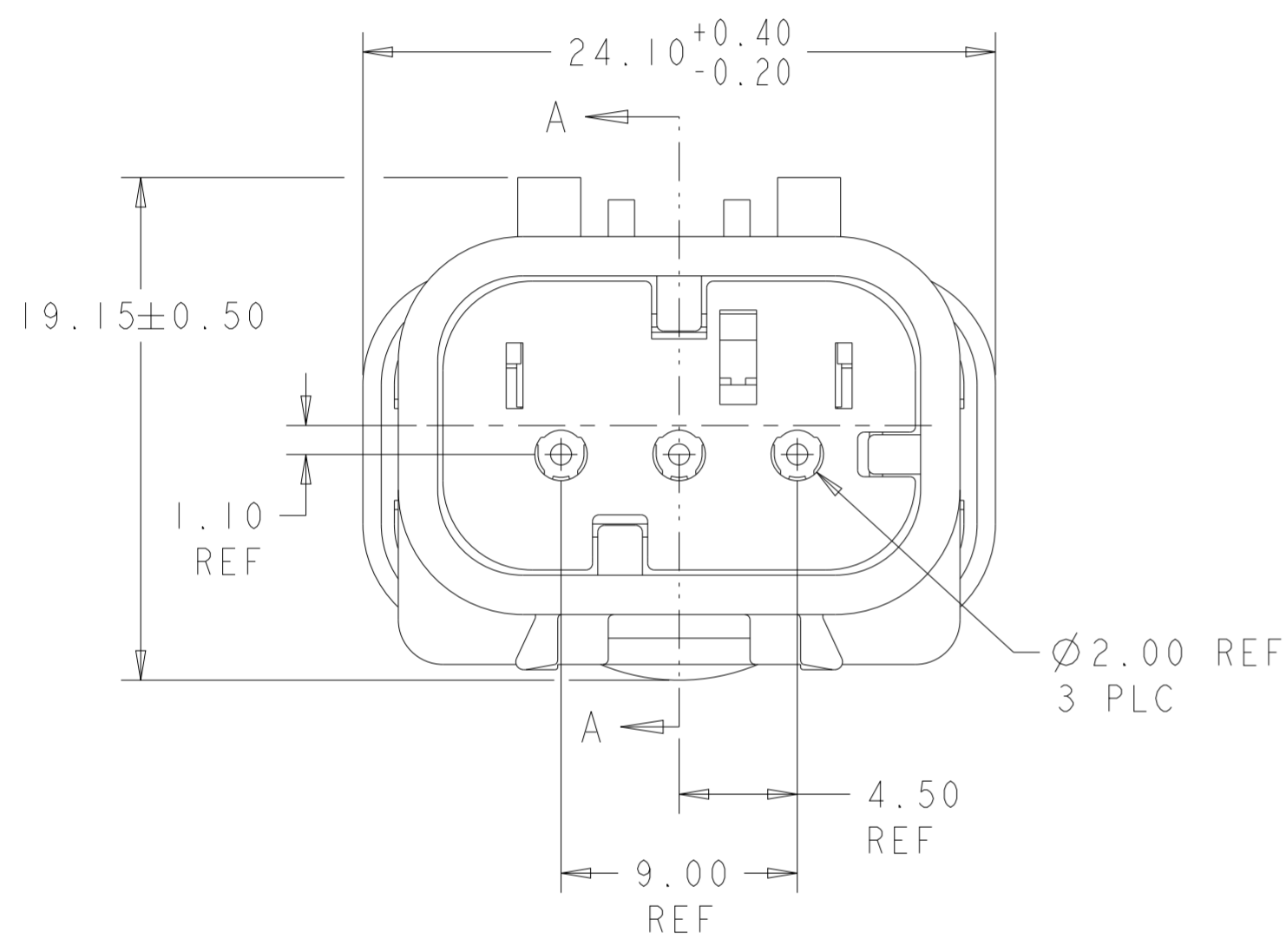


776535-3  
SCALE 2:1  
KEY C

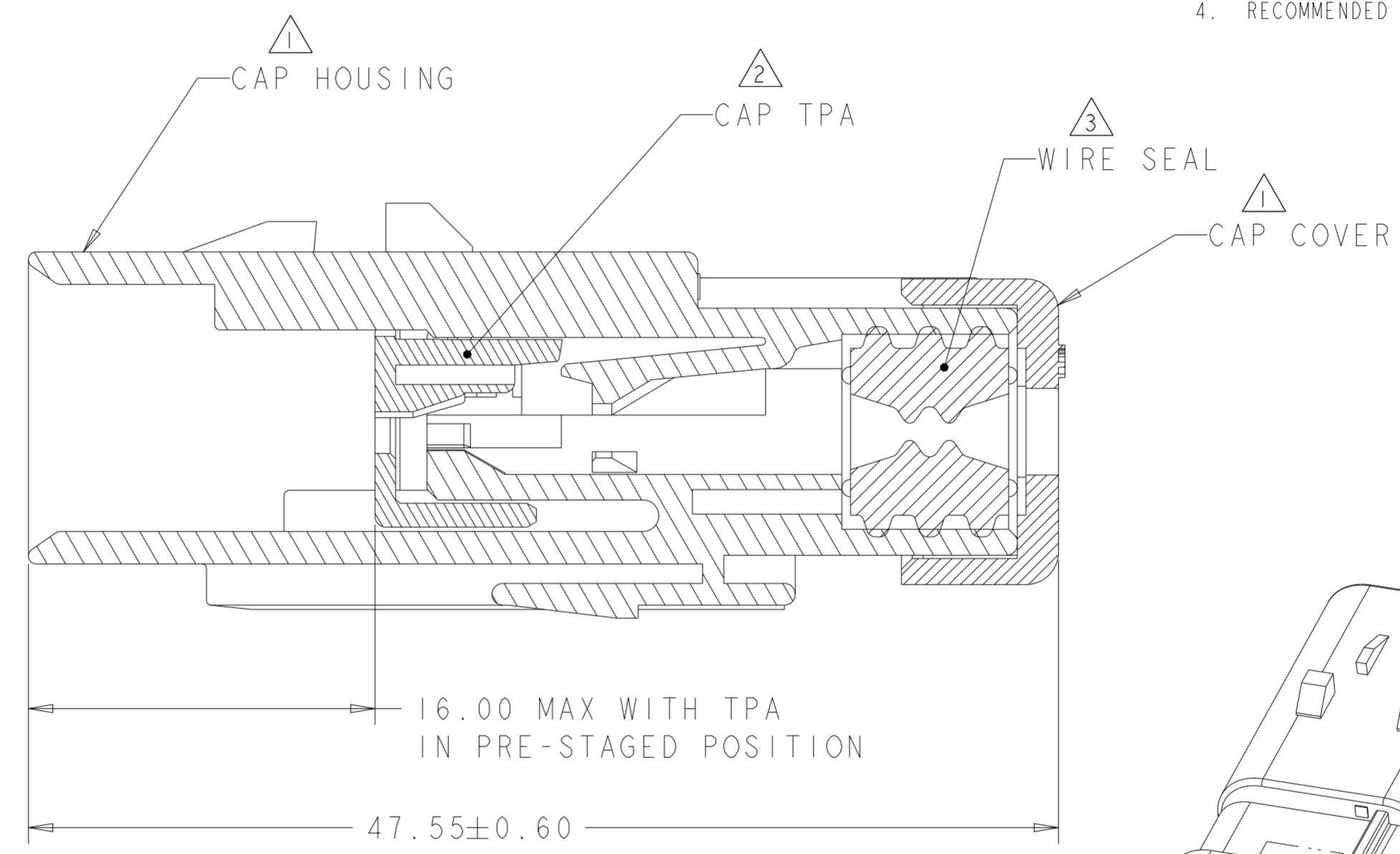


776535-4  
SCALE 2:1  
KEY D

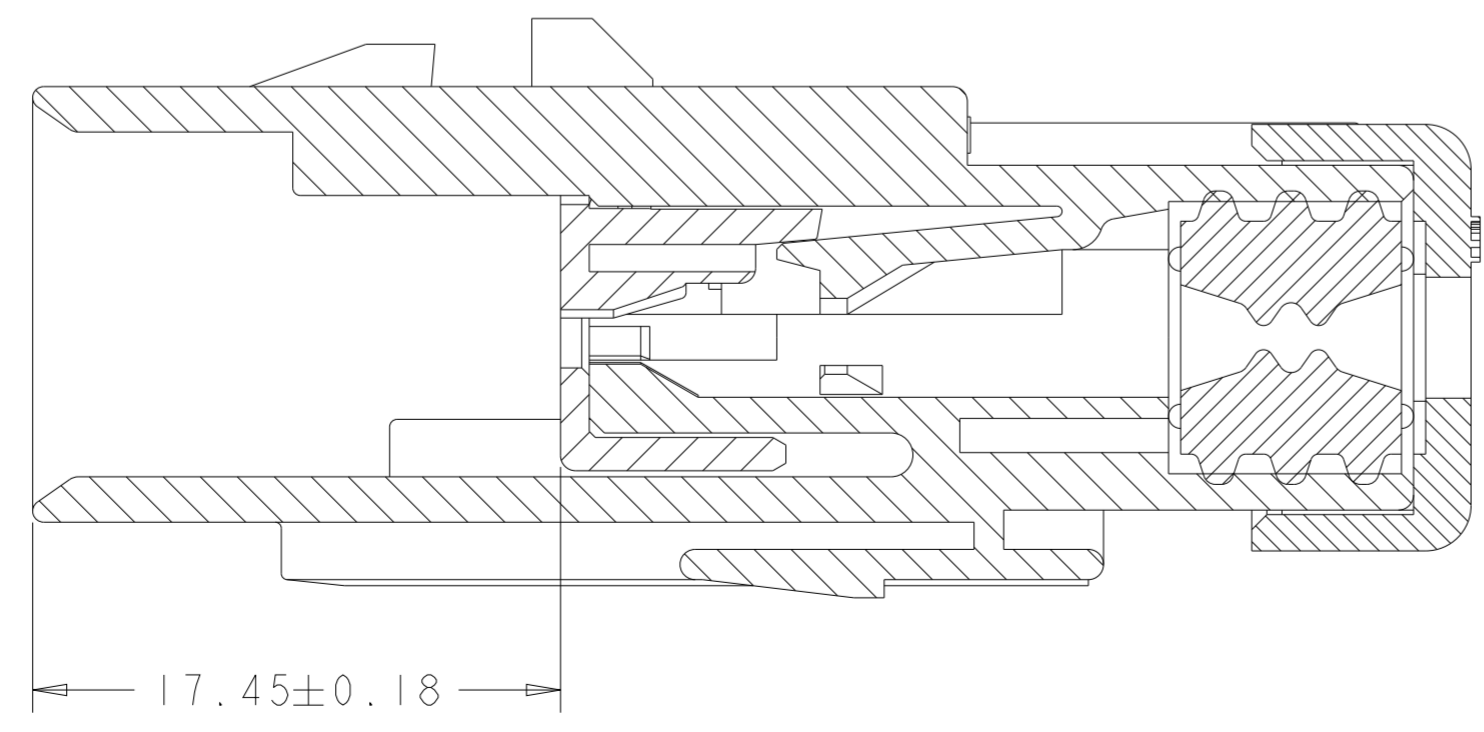
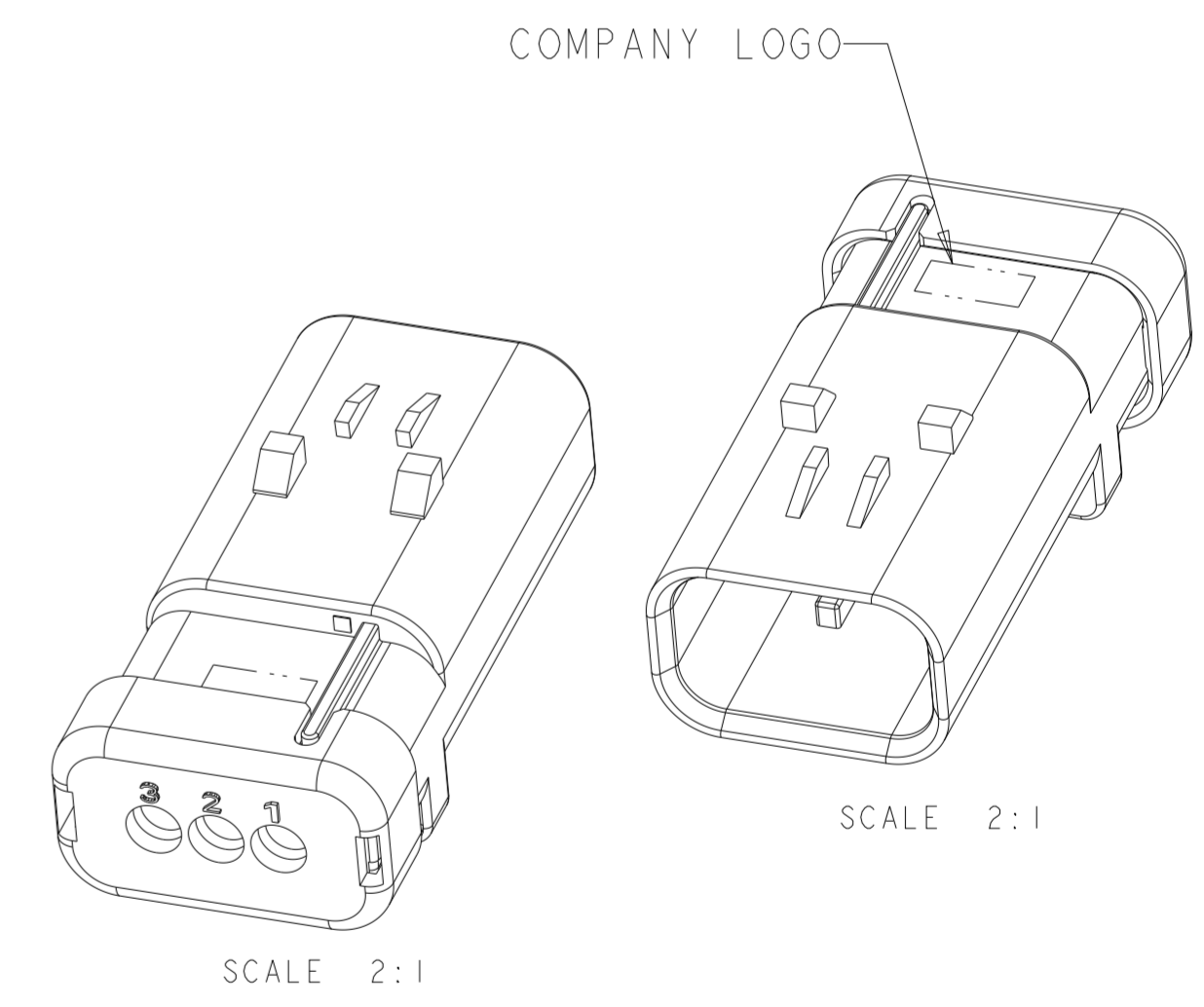
- 1 MATERIAL: 15% GLASS FILLED THERMOPLASTIC  
COLOR: BLACK
- 2 MATERIAL: 15% GLASS FILLED THERMOPLASTIC  
COLOR: (SEE TABLE)
- 3 MATERIAL: SILICONE  
COLOR: RUST
- 4. RECOMMENDED WIRE DIAMETER RANGE IS 1.30 TO 2.54mm



776535-1 SHOWN  
KEY A



SECTION A-A



SECTION A-A  
WITH TPA IN CLOSED POSITION

D	GREEN	776535-4
C	YELLOW	776535-3
B	GRAY	776535-2
A	RED	776535-1
KEY	TPA COLOR	PART NUMBER

THIS DRAWING IS A CONTROLLED DOCUMENT.

DIMENSIONS:	TOLERANCES UNLESS OTHERWISE SPECIFIED:	DWN Y. PETERSON 22FEB00	TE Connectivity
mm	0 PLC ±	CHK R. GREINER 11DEC01	
	1 PLC ±	APVD M. TRULL 11DEC01	
	2 PLC ±	PRODUCT SPEC 108-2184	
	3 PLC ±	APPLICATION SPEC 114-13065	NAME
	4 PLC ±	WEIGHT 10	CAP ASSEMBLY, 3 POSITION, SINGLE ROW, REDUCED DIA WIRE SEAL AMPSEAL 16
MATERIAL	FINISH	Customer Drawing	SIZE CAGE CODE DRAWING NO RESTRICTED TO
-	-	SCALE 4:1 SHEET OF REV CI	A2 00779 C-776535