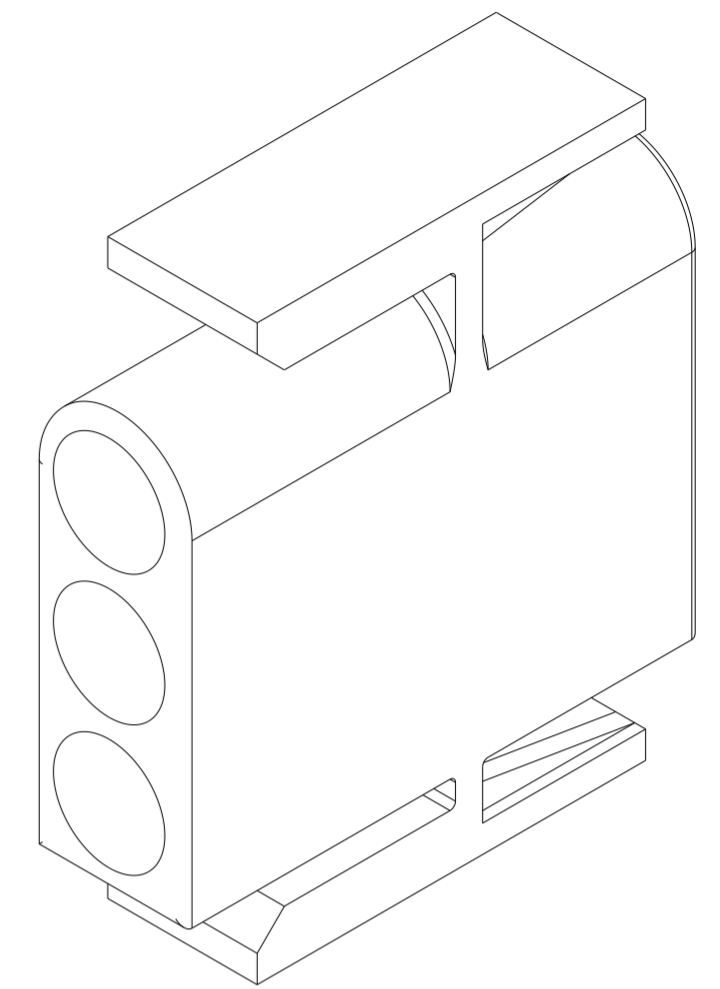
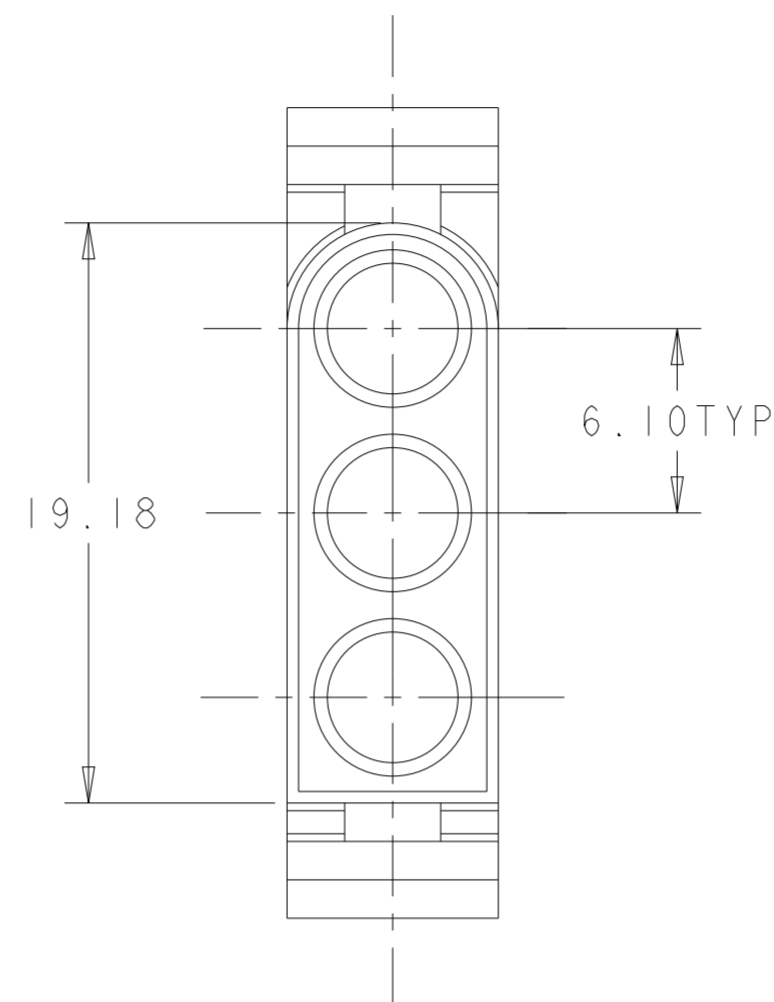
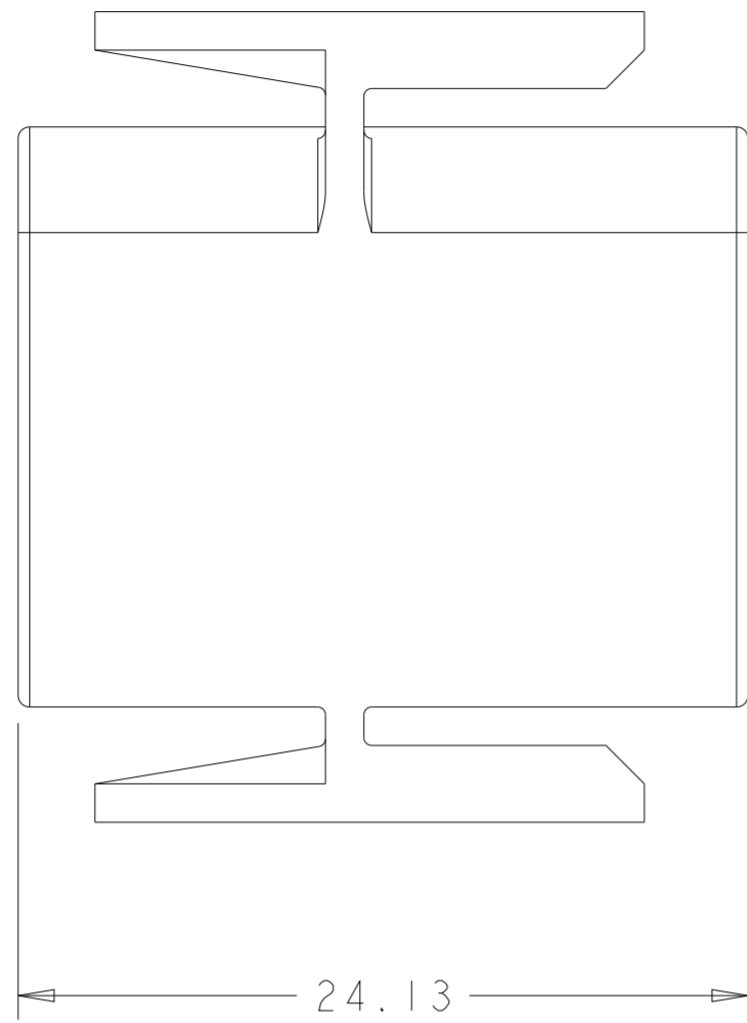
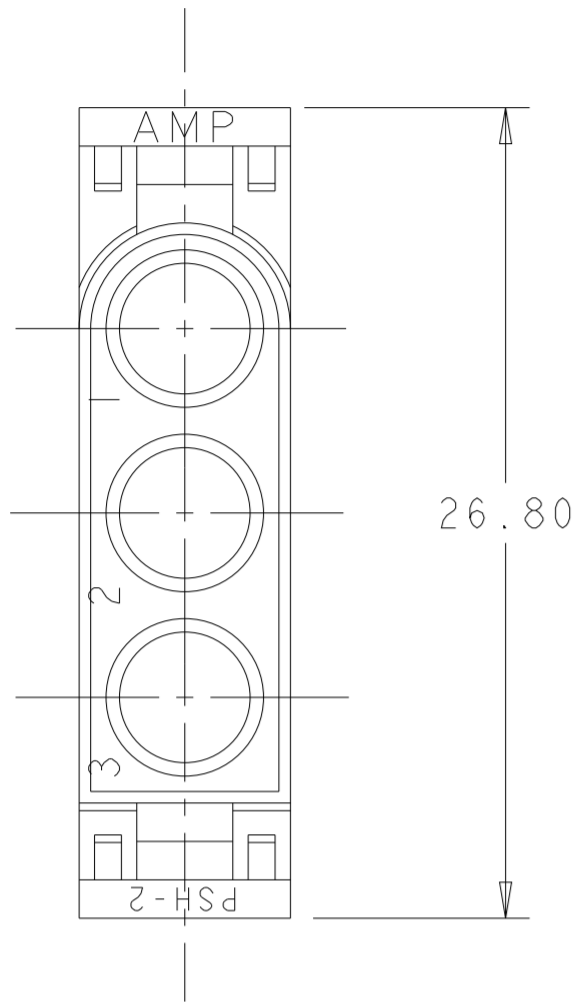


REVISIONS

P	LTR	DESCRIPTION	DATE	DWN	APVD
A		REVISED PER ECN-23-205457	28MAR2023	WLS	VS



1. TO BE USED WITH .140 SERIES SOCKETS.
2. TO BE USED WITH CAP HOUSING 794061.



6.99	.275	-	-
6.10	.240	26.80	1.055
3.56	.140	24.13	.950
0.13	.005	19.18	.755
MM	IN	MM	IN

CONVERSION TABLE

METRIC

BLACK	PA THERMO-STABILIZED UP TO 120°C, UL94-V2	794060-1
COLOR	MATERIAL	PART NUMBER

THIS DRAWING IS A CONTROLLED DOCUMENT.		DWN K. WHITAKER	17OCT2000	TE Connectivity
DIMENSIONS:		CHK S. RIDGILL	17OCT2000	
mm		APVD S. RIDGILL	17OCT2000	
TOLERANCES UNLESS OTHERWISE SPECIFIED:		PRODUCT SPEC	NAME	
0 PLC	±	108-1032	PLUG, 3 CIRCUIT, .140 MATE-N-LOK	
1 PLC	±			
2 PLC	±0.13			
3 PLC	±			
4 PLC	±			
ANGLES	±0.30°			
FINISH	-			
MATERIAL	-	WEIGHT	-	
SEE TABLE	-	CUSTOMER DRAWING	SCALE 4:1	