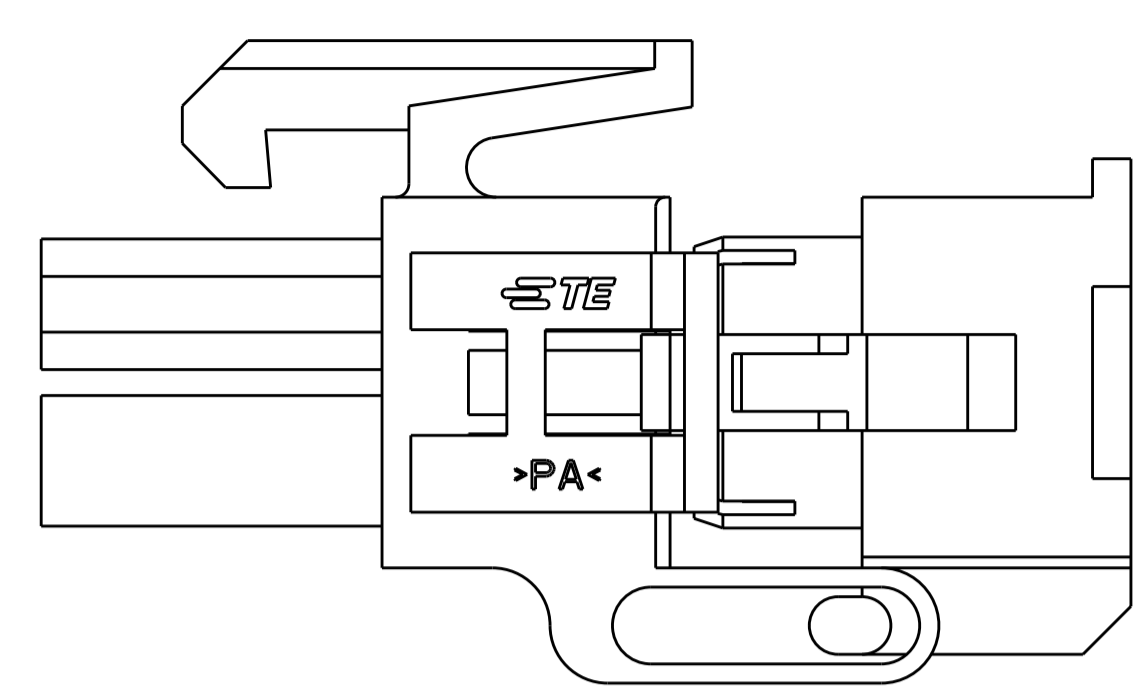
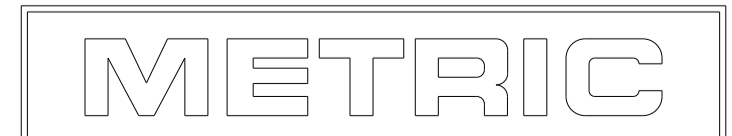
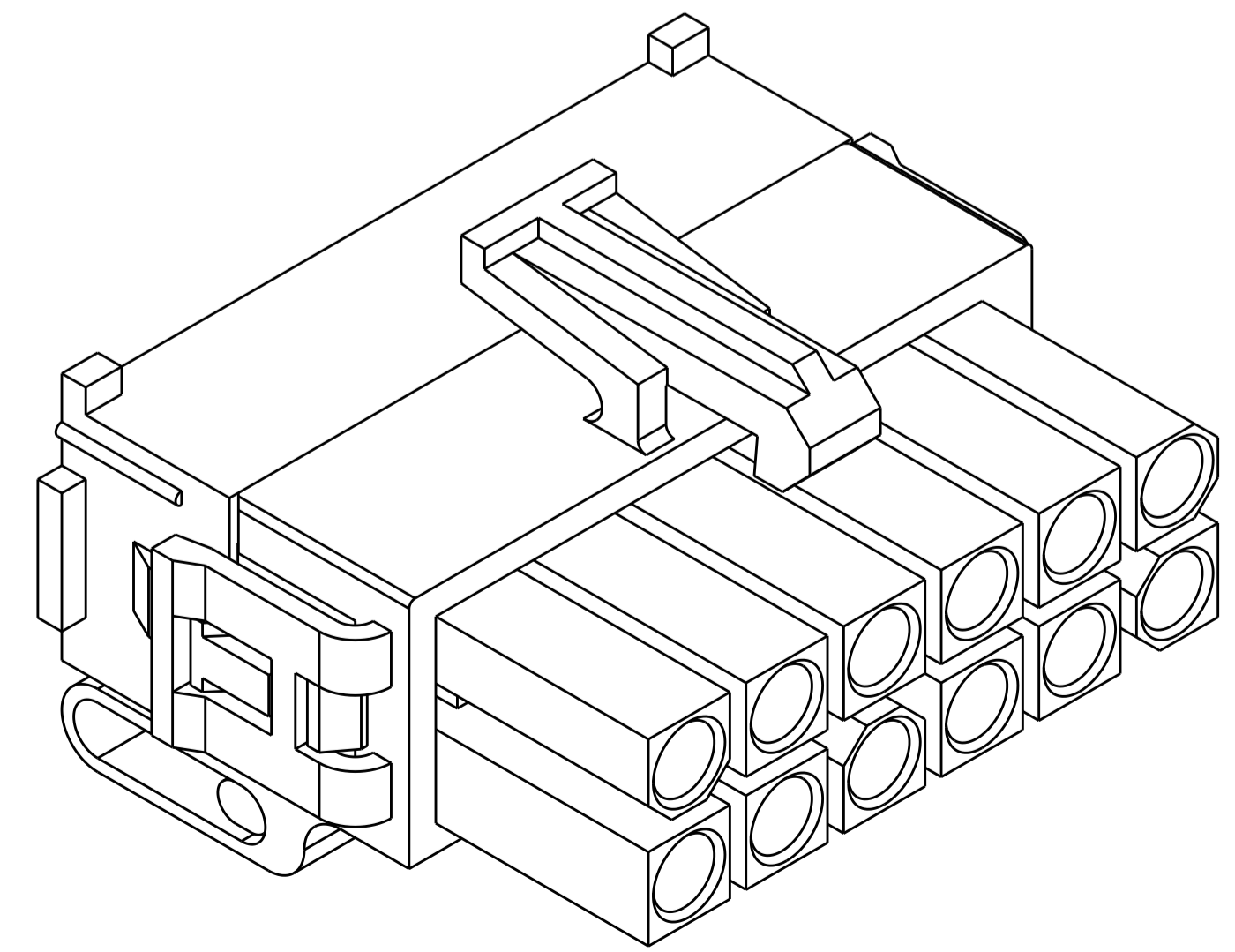
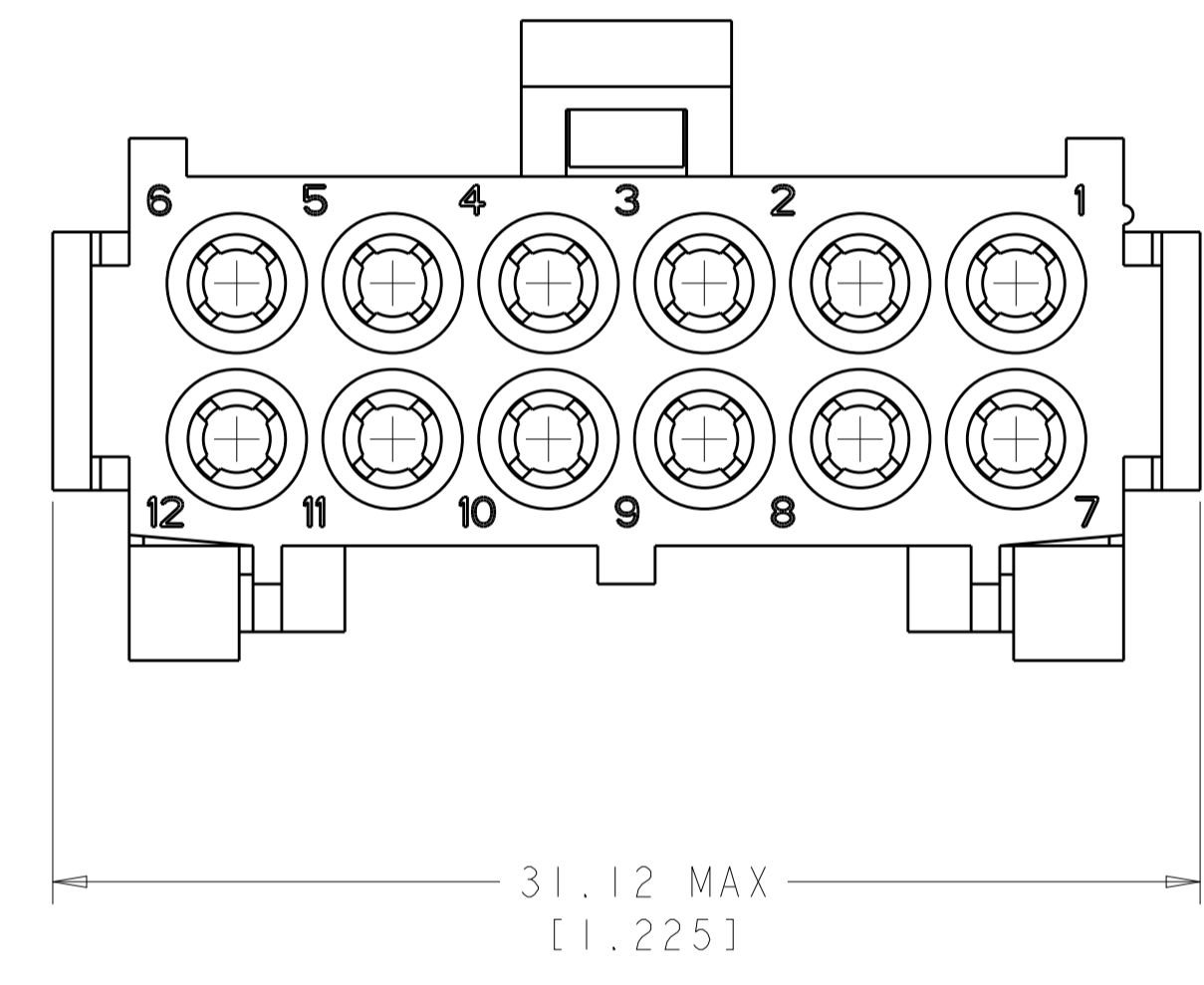
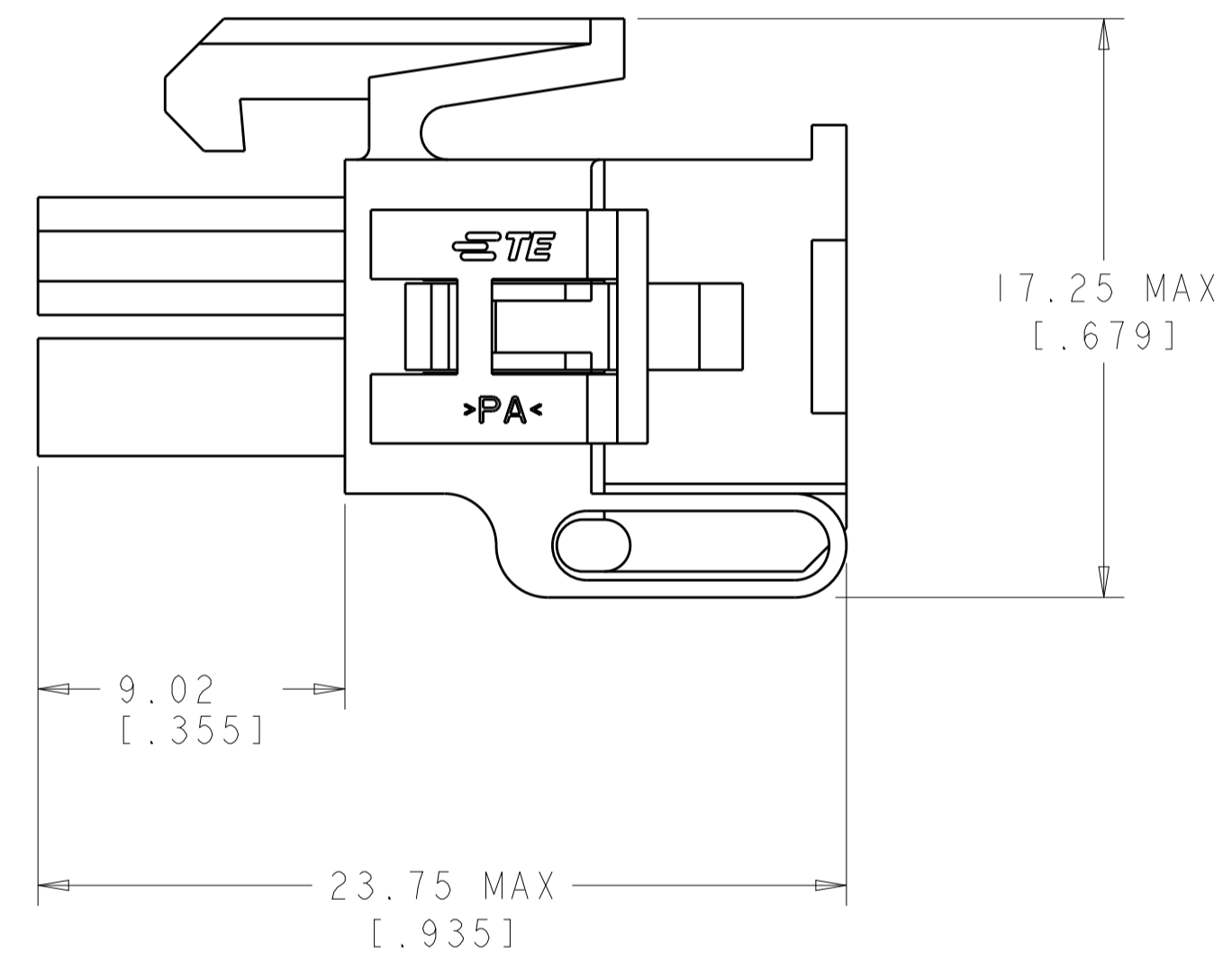
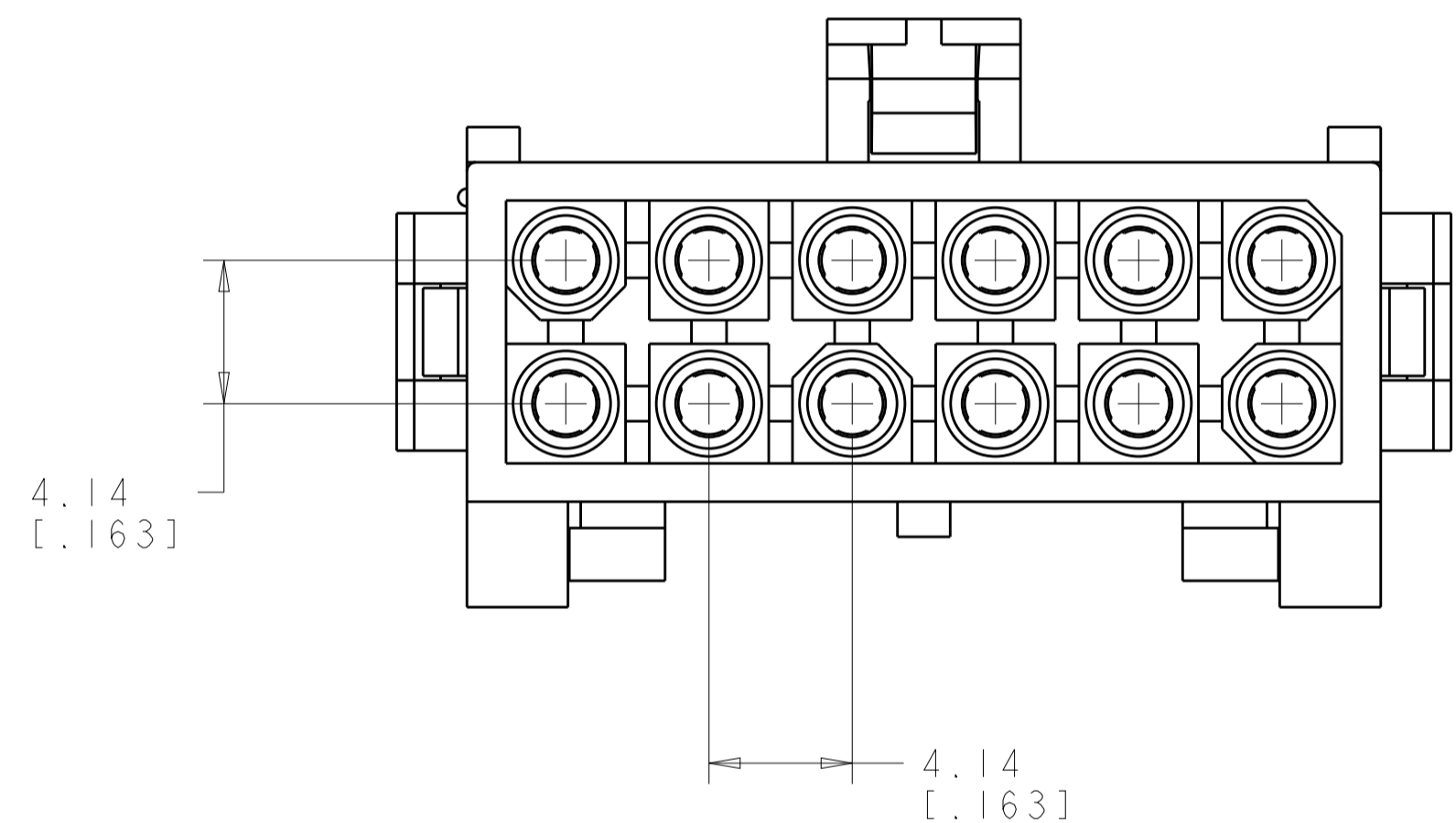


REVISIONS				
P.	LTM	DESCRIPTION	DATE	APVD
C2		REVISED PER ECR-15-003326	05-MAR-2015	SC KD



PRE-STAGED CONDITION



0.21 IN ³	794198-1
VOLUME	PART NUMBER

THIS DRAWING IS A CONTROLLED DOCUMENT.		DWN K. WHITAKER 01AUG2007	NAME PLUG, DUAL ROW, 12 CIRCUIT, MINI UNIVERSAL MATE-N-LOK(TM) 2
DIMENSIONS: mm [INCHES]		CHK C. JONES 01AUG2007	
TOLERANCES UNLESS OTHERWISE SPECIFIED:		APVD C. JONES 01AUG2007	PRODUCT SPEC
0 PLC	±		APPLICATION SPEC
1 PLC	±		
2 PLC	±0.13 [0.005]		
3 PLC	±		
4 PLC	±		
ANGLES	±		
	±0°30'		
MATERIAL NYLON, UL 94V-0, NATURAL	FINISH	WEIGHT	RESTRICTED TO
			A100779C=794198
CUSTOMER DRAWING		SCALE 5:1	SHEET 1 OF 1 REV C2