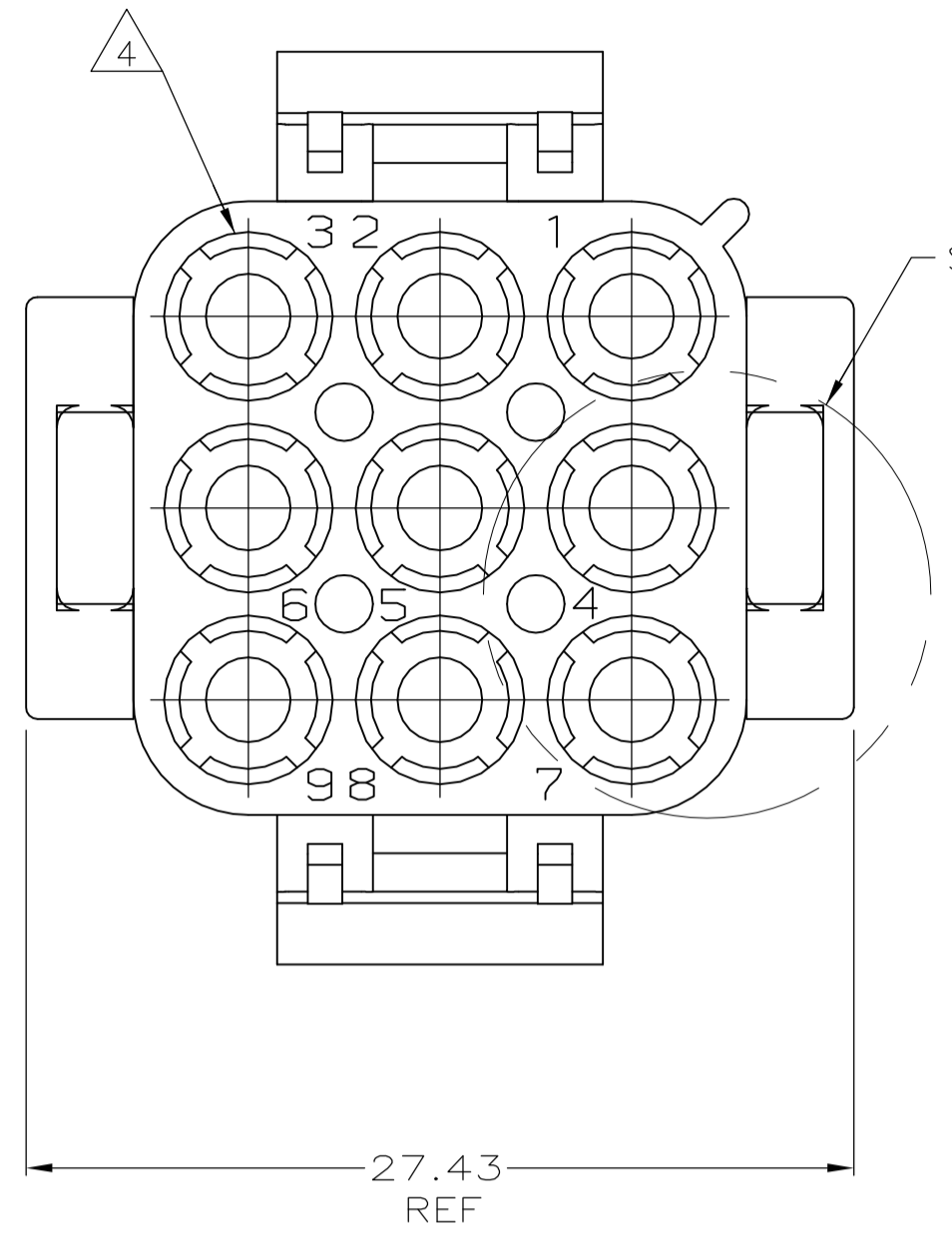
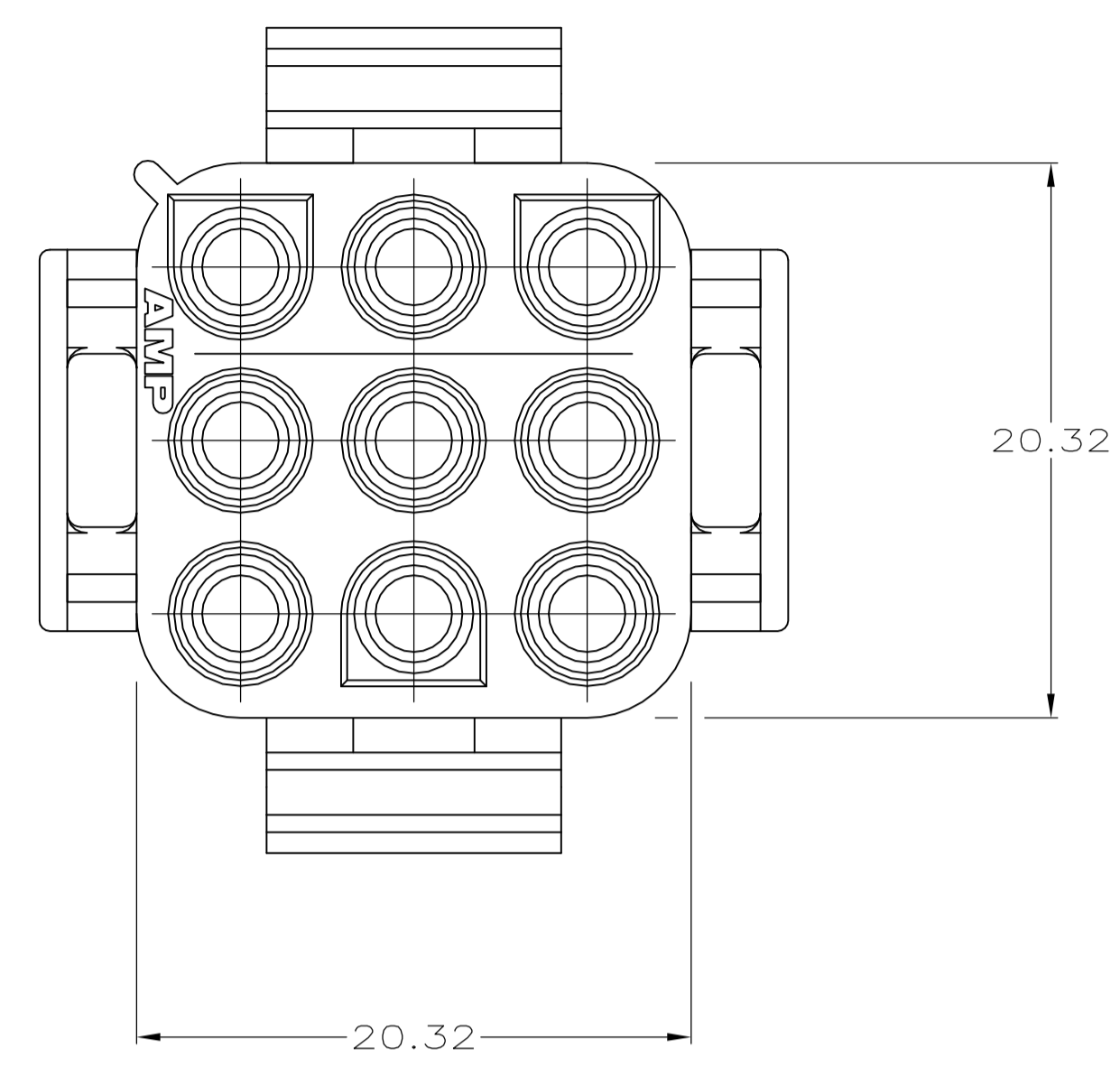
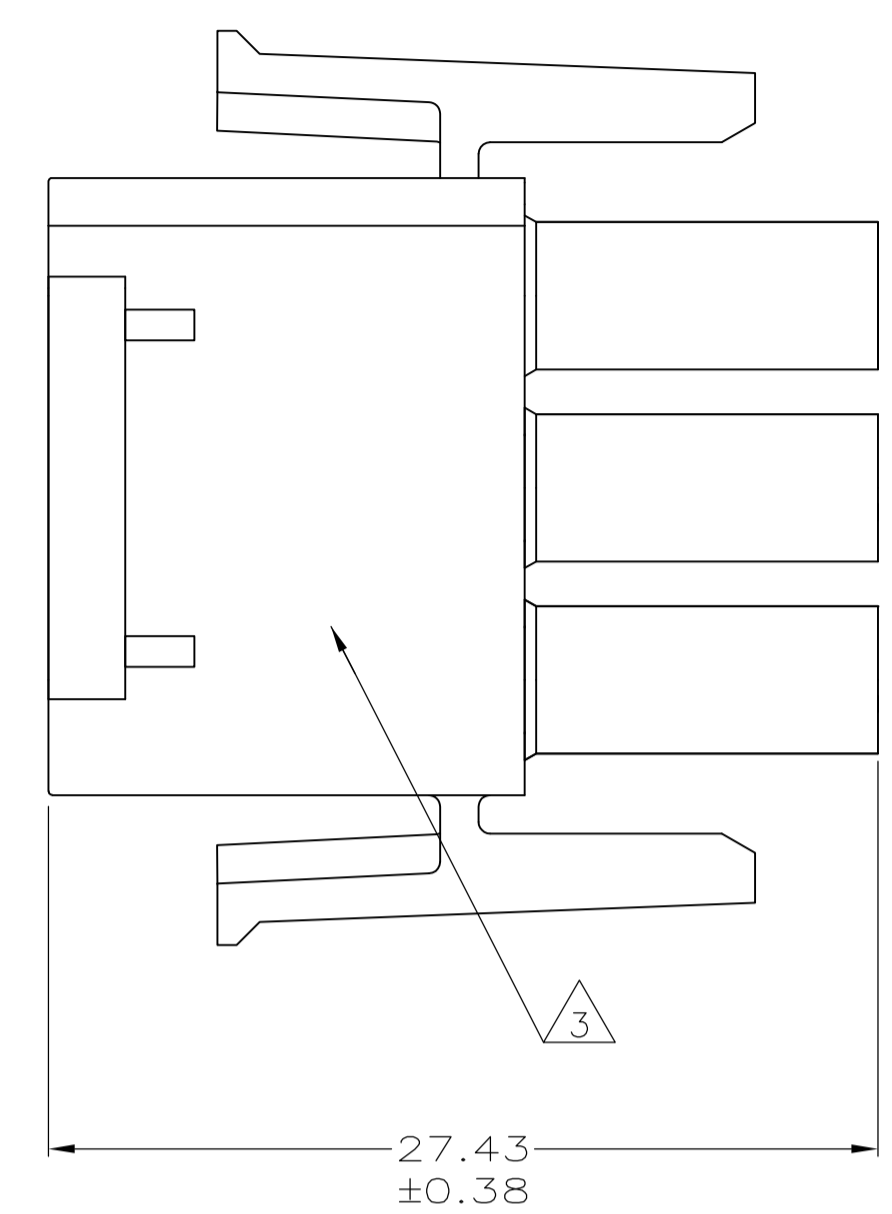


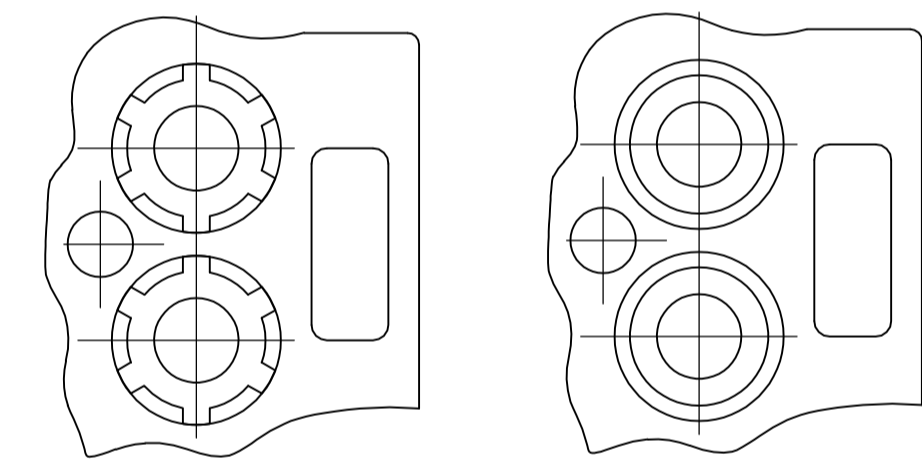
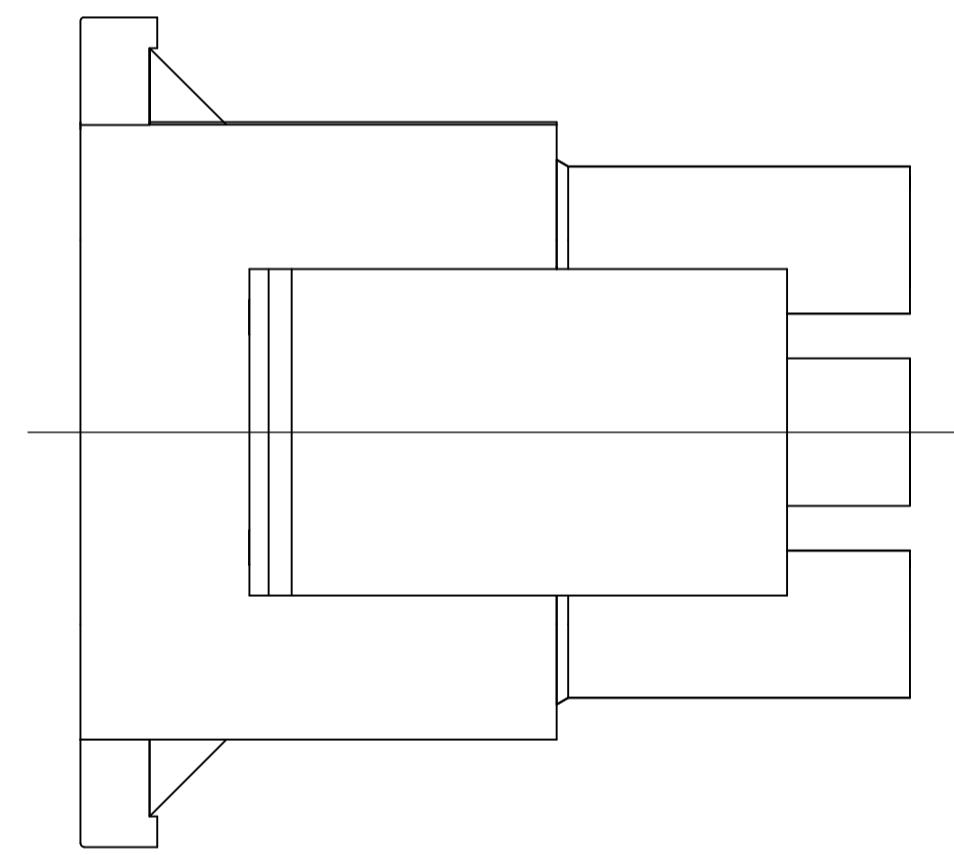
REVISIONS					
P	LTR	DESCRIPTION	DATE	DMN	APVD
C2		REVISED PER ECO-17-011927	22AUG2017	RS	KR



SEE DETAIL A



- 1 MATES WITH APPROPRIATE UNIVERSAL MATE-N-LOK™ CAP OR HEADER.
- 2 SMALL NICKS ARE PERMITTED ON THE CIRCUIT TOWERS WHICH COULD INCREASE THE INITIAL HOUSING MATING FORCE BY UP TO 4.4 NEWTON (1.0 LBS). NO INDIVIDUAL NICKED TOWER SHALL INCREASE THIS FORCE BY OVER 2.2 NEWTONS (.5 LBS).
- 3 UNDERWRITER RECOGNIZED COMPONENT LOGO AND CSA CERTIFICATION LOGO TO BE LOCATED ONCE EACH ON SIDE OF HOUSING.
- 4 FOUR RIBS EQUALLY SPACED, NO SPECIFIC ORIENTATION. NO RIBS OR SIX RIBS EQUALLY SPACED, NO SPECIFIC ORIENTATION, OPTIONAL.
- 5 150° C TEMPERATURE RATING FOR THIS HOUSING IS FOR SHORT TERM DURATION. MAX OPERATING TEMPERATURE REMAINS 125° C.
- 6 PHOSPHOR BRONZE CONTACTS SHOULD ALWAYS BE USED WITH THIS HOUSING.
- 7 DIMENSIONS SHOWN REPRESENT PRODUCT IN DRY, AS MOLDED CONDITION ADDITIONAL 2% GROWTH DUE TO SUBSEQUENT MOISTURE ABSORPTION MAY OCCUR AND SHOULD BE ACCOUNTED FOR.

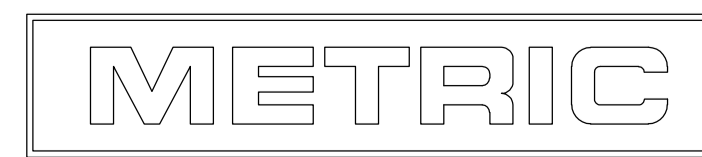


DETAIL A
OPTIONAL CONSTRUCTIONS

MM	IN
27.43	1.080
20.32	.800
11.68	.460
0.38	.015
0.13	.005

CONVERSION TABLE

794537-1
PART NUMBER



THIS DRAWING IS A CONTROLLED DOCUMENT.		DIN K. WHITAKER 18-NOV-1998	STE TE Connectivity	
DIMENSIONS: mm		CHK R. SWING 18-NOV-1998	NAME PLUG, 9 CIRCUIT, UNIVERSAL MATE-N-LOK™	
TOLERANCES UNLESS OTHERWISE SPECIFIED:		APVD D. SELF 18-NOV-1998	PRODUCT SPEC	
0. PLC ± -		APPLICATION SPEC		
1. PLC ± -		SIZE CAGE CODE DRAWING NO		
2. PLC ± 0.13		RESTRICTED TO		
3. PLC ± -		WEIGHT 0.000000 A1 00779 C=794537		
4. PLC ± -		CUSTOMER DRAWING SCALE 4:1 SHEET 1 OF 1 REV C2		
ANGLES ± 0° 30'				
FINISH -				