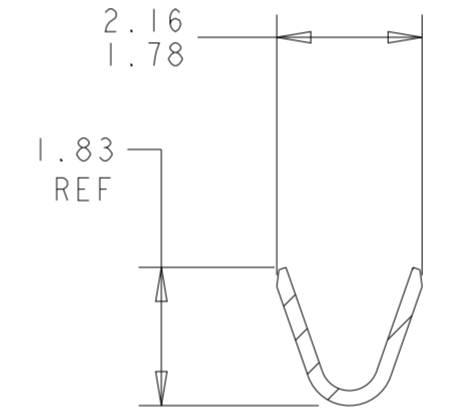
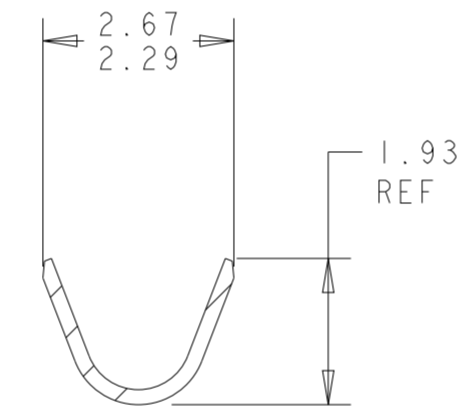
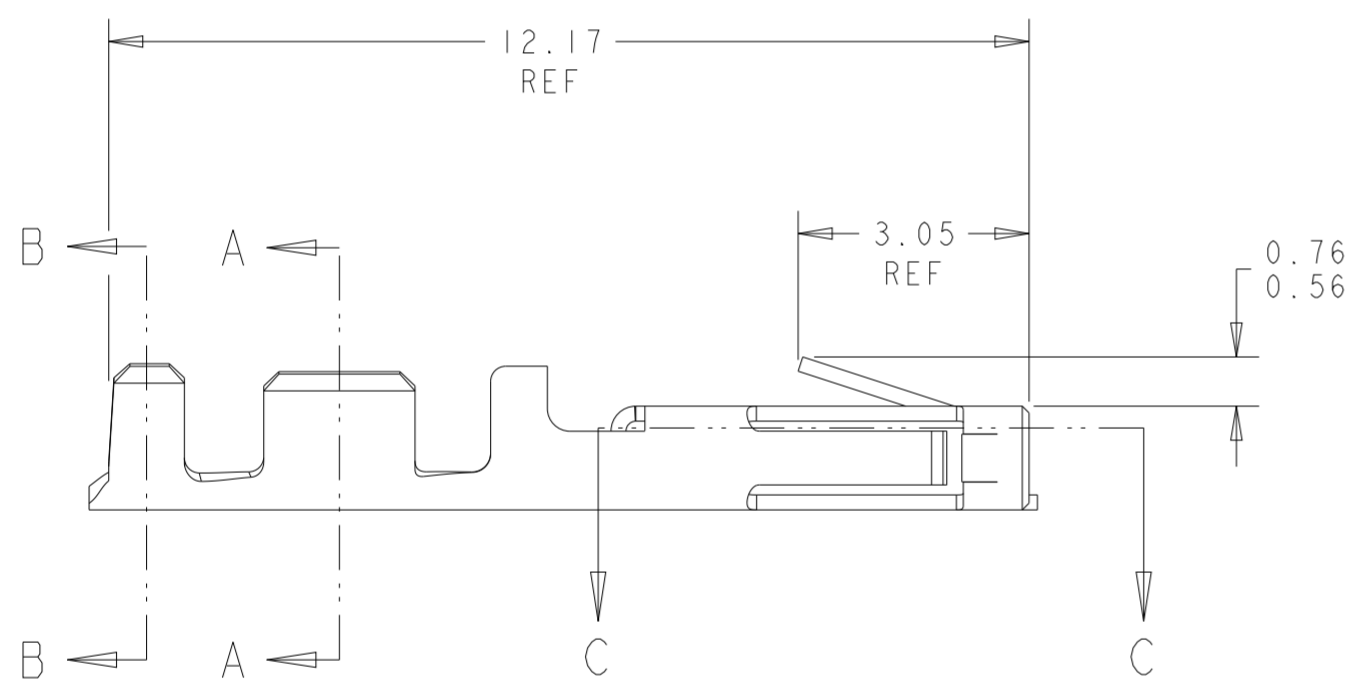
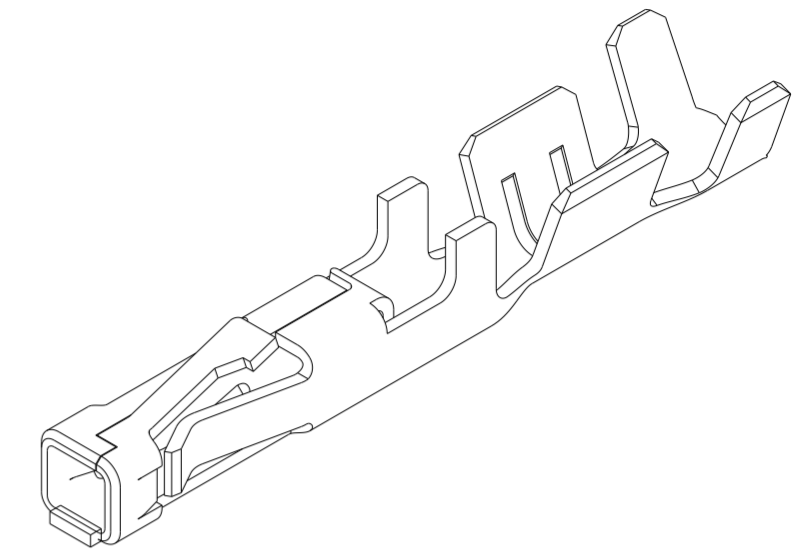
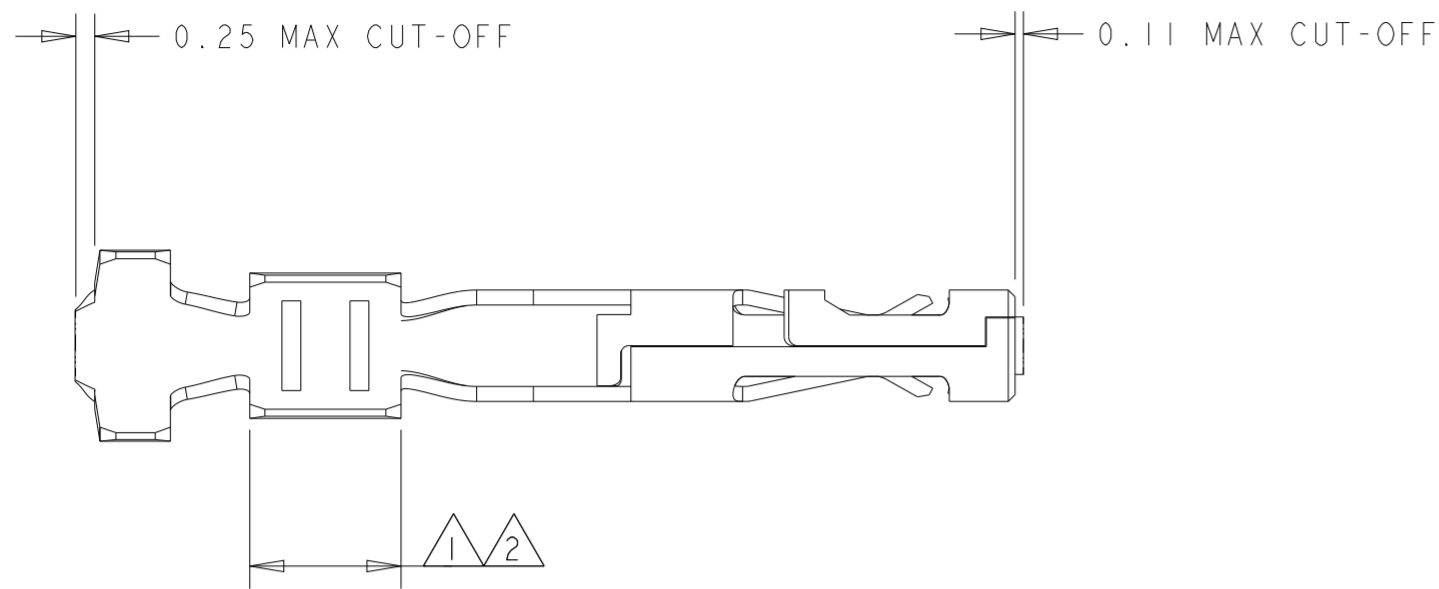


THIS DRAWING IS UNPUBLISHED. RELEASED FOR PUBLICATION
 © COPYRIGHT 20 BY - ALL RIGHTS RESERVED.

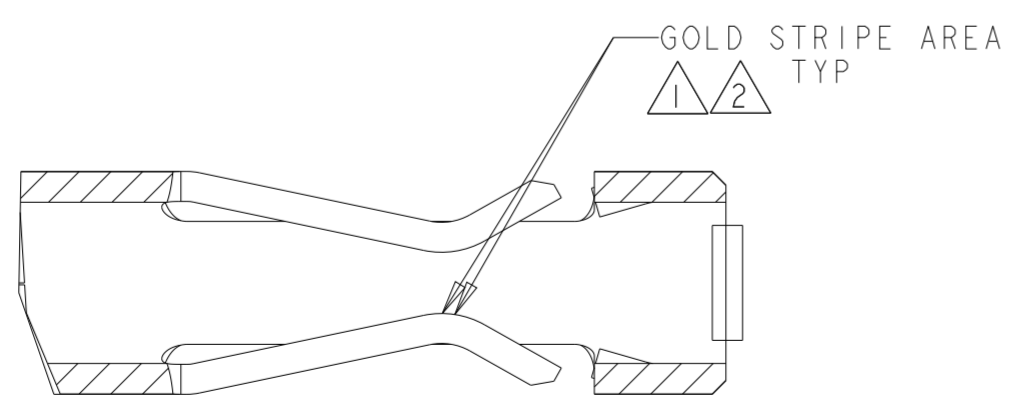
LOC	DIST	REVISIONS					
CM	00	P	LTR	DESCRIPTION	DATE	DWN	APVD
		D1		REVISED PER ECO-11-005027	14MAR2011	RK	HMR
		D2		REVISED PER ECR-18-006831	12JUN2018	JB	DZ
		D3		ECO-19-006909	03MAY2019	AP	WS
		D4		REVISED PER ECN-22-186748	25NOV2022	WLS	VS



SECTION B-B

SECTION A-A

- 1 0.000762 THK GOLD STRIPE IN THE GOLD PLATE AREA, BRIGHT TIN IN THE CRIMP AREA, OVER NICKEL PLATE.
- 2 0.000381 THK GOLD STRIPE IN THE GOLD PLATE AREA, BRIGHT TIN IN THE CRIMP AREA, OVER NICKEL PLATE.
- 3 0.0015 - 0.0040 THK BRIGHT TIN.
- 4 WIRE RANGE: 20 - 24 AWG.
- 5 INSULATION RANGE 0.89 - 1.524.
- 7 0.000762 THK GOLD STRIPE IN THE GOLD PLATE AREA, BRIGHT TIN-LEAD IN THE CRIMP AREA, OVER NICKEL PLATE.
- 8 0.000381 THK GOLD STRIPE IN THE GOLD PLATE AREA, BRIGHT TIN-LEAD IN THE CRIMP AREA, OVER NICKEL PLATE.



SECTION C-C
SCALE 20:1

	1	1-794610-2
	2	1-794610-1
SUPERSEDED BY 1-794610-2	7	794610-3
SUPERSEDED BY 1-794610-1	8	794610-2
	3	794610-1
REMARKS	FINISH	PART NUMBER

THIS DRAWING IS A CONTROLLED DOCUMENT.		DWN K. WHITAKER 19-OCT-1999	TE Connectivity	
DIMENSIONS: mm		CHK K. COBLE 19-OCT-1999		
TOLERANCES UNLESS OTHERWISE SPECIFIED:		APVD K. COBLE 19-OCT-1999	NAME	
0 PLC ±	1 PLC ±	PRODUCT SPEC	CONTACT, RECEPTACLE, CRIMP, SNAP-IN, LOOSE PIECE, MICRO MATE-N-LOK(TM)	
2 PLC ±0.13	3 PLC ±	108-1836	SIZE	CAGE CODE
4 PLC ±	ANGLES ±0.30°	114-13000	A2	00779
MATERIAL	FINISH	WEIGHT	DRAWING NO	RESTRICTED TO
0.2 PH BRZ	SEE TABLE	-	C-794610	-
CUSTOMER DRAWING			SCALE 10:1	SHEET 1 OF 1
			REV D4	