

# LOW PROFILE MICRO MATE-N-LOK CONNECTOR SYSTEM

The Low Profile Micro MATE-N-LOK connector system features an ultra-slim design with the reliability and performance of the Micro MATE-N-LOK line of connectors.

## APPLICATIONS

- Ideal for LED Lighting applications

## ELECTRICAL

- Current Rating: 5Amp (20 AWG)
- Voltage Rating: 250 VAC

## MATERIALS

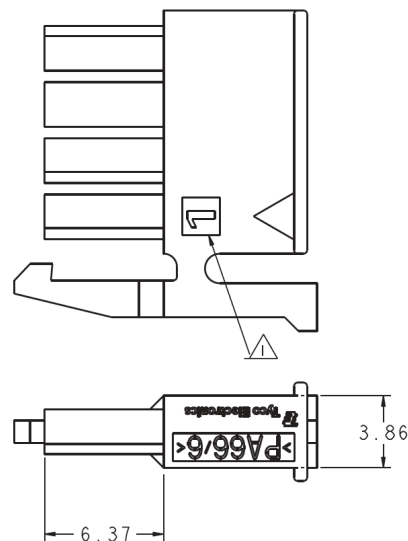
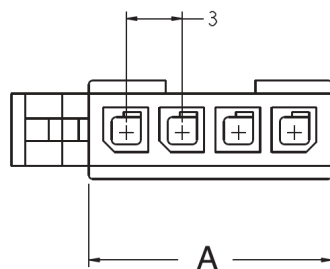
- Phosphor bronze, pre-tin or gold plated contacts
- Nylon UL 94V-0 receptacle housings
- High temperature nylon headers

## KEY FEATURES

- Less than 4.7 mm in vertical height required
- Right angle surface mount headers with surface mount hold-downs
- Positive latching to prevent unmating
- 2, 3, and 4 positions available
- Black and natural colors available
- Utilizes standard Micro MATE-N-LOK contact with 24-20 and 30-26 AWG wire ranges

## STANDARDS AND SPECS

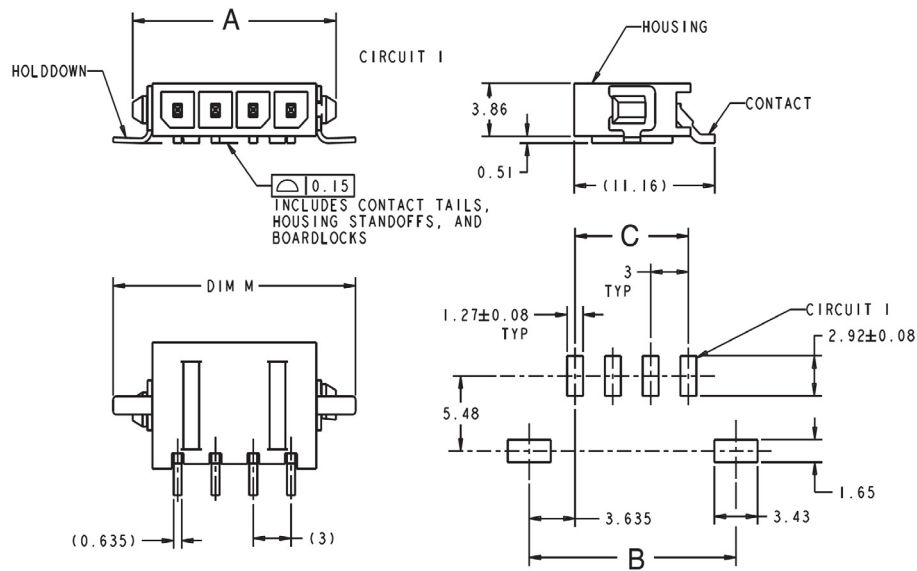
- Product Spec: [108-1836](#)
- Application Spec: [114-13000](#)



## LOW PROFILE MICRO MATE-N-LOK CONNECTOR SYSTEM

Positions	Color	Dimension A (in [mm])	Part Number
2	Black	.276 [7]	2029047-2
3	Black	.394 [10]	2029047-3
4	Black	.512 [13]	2029047-4
2	Natural	.276 [7]	2029102-2
3	Natural	.394 [10]	2029102-3
4	Natural	.512 [13]	2029102-4

### LOW PROFILE RIGHT ANGLE SURFACE MOUNT HEADERS



Positions	Color	Dimension (in [mm])			Part Number
		A	B	C	
2	Black	.394 [10]	.410 [10.4]	.118 [3]	2029030-2
3	Black	.512 [13]	.528 [13.4]	.263 [6]	2029030-3
4	Black	.630 [16]	.646 [16.4]	.354 [9]	2029030-4
2	Natural	.394 [10]	.410 [10.4]	.118 [3]	2029104-2
3	Natural	.512 [13]	.528 [13.4]	.263 [6]	2029104-3
4	Natural	.630 [16]	.646 [16.4]	.354 [9]	2029104-4

## LOW PROFILE MICRO MATE-N-LOK CONNECTOR SYSTEM

---

[te.com](https://www.te.com)

TE Connectivity, TE connectivity (logo) and MATE-N-LOK are trademarks owned or licensed by the TE Connectivity Ltd. family of companies. All other logos, products and/or company names referred to herein might be trademarks of their respective owners.

While TE has made every reasonable effort to ensure the accuracy of the information in this brochure, TE does not guarantee that it is error-free, nor does TE make any other representation, warranty or guarantee that the information is accurate, correct, reliable or current. TE reserves the right to make any adjustments to the information contained herein at any time without notice. TE expressly disclaims all implied warranties regarding the information contained herein, including, but not limited to, any implied warranties of merchantability or fitness for a particular purpose. The dimensions in this catalog are for reference purposes only and are subject to change without notice. Specifications are subject to change without notice. Consult TE for the latest dimensions and design specifications.

© 2022 TE Connectivity. All Rights Reserved.

12/22