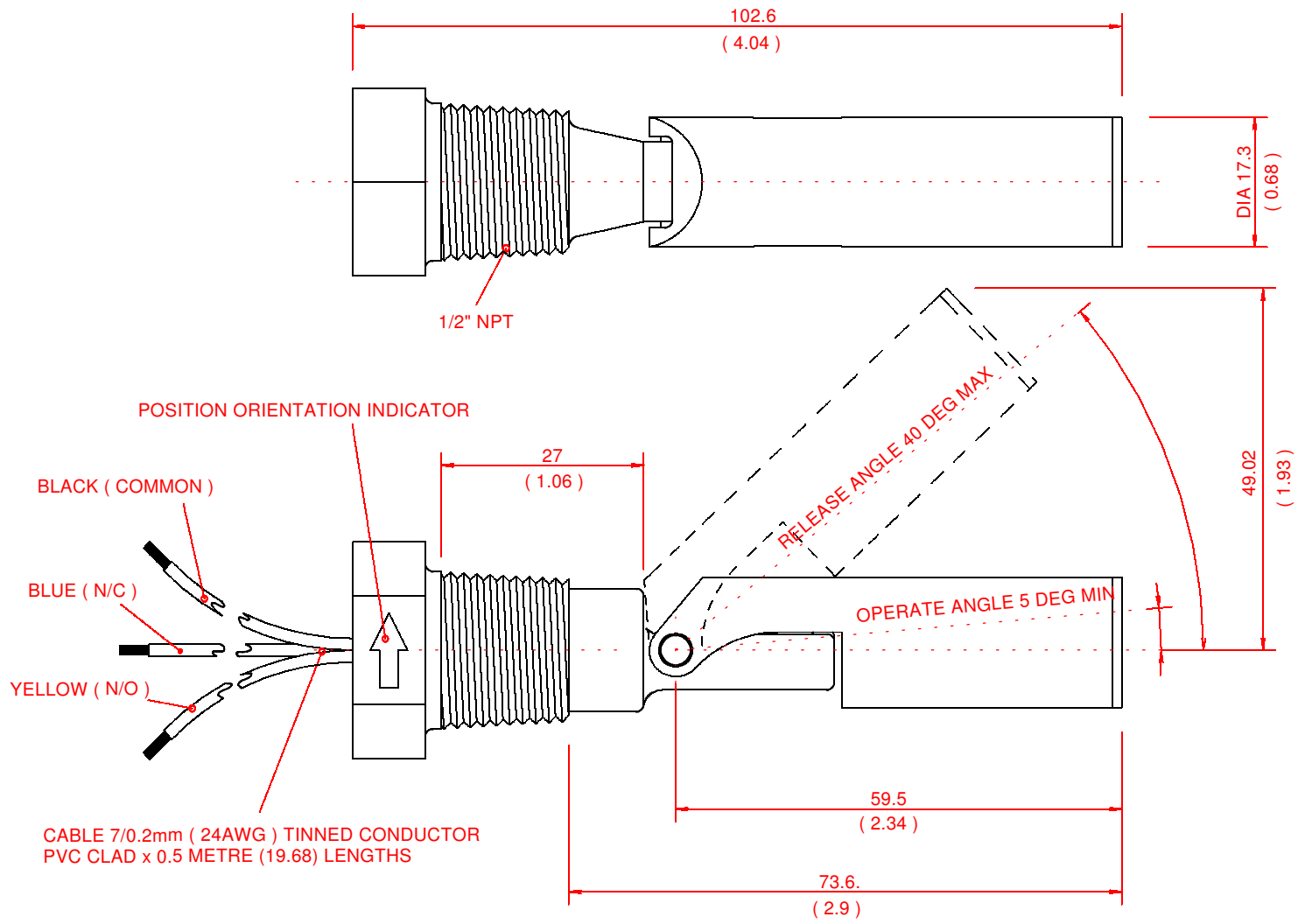


OLD STOCK No.  
 OLD DRAWING No.

PARTS LIST			
ITEM No	ARTICLE No	DESCRIPTION	QTY REQD



**SWITCH SPECIFICATION**

SWITCH ACTION SPDT

MAX. SWITCHING VOLTAGE (VDC) 100  
 (VRMS) 70

MAX. SWITCHING CURRENT (AMPS) 0.5

DC CONTACT RATING (WATTS) 3

MIN. BREAKDOWN VOLTAGE (VDC) 200

INITIAL CONTACT RESISTANCE (OHMS) 0.25

REVISION	A	B	C
CHANGE ORDER No	—	5359	6190
DATE	—	21.05.01 MW	16.11.04 MW
APPROVED	—	WJG 24.05.01	IH 16.11.04

UNLESS OTHERWISE SPECIFIED DIMENSIONS ARE IN MILLIMETRES  
 TOLERANCES ARE :-  
 DECIMALS ANGLES

CAD GENERATED DRAWING DO NOT MANUALLY DUPLICATE

DRAWN WJG 10.06.98

CHECKED CL 26.06.98

APPROVED RMM 29.06.98

GENTECH INTERNATIONAL LIMITED  
 GIRVAN, AYRSHIRE, U.K.

PART NAME  
**LS804-31**

SIZE A3

ARTICLE No **80507-000**

REV C

THIS DRAWING IS THE PROPERTY OF GENTECH International Limited AND SHOULD NOT BE COPIED OR USED FOR MANUFACTURE OR OTHERWISE DISCLOSED WITHOUT THE PRIOR WRITTEN CONSENT OF THE COMPANY

MATERIAL LNP POLYPROPYLENE GRADE MF3 1006HS

FINISH

DO NOT SCALE DRAWING

SCALE 3:2

SHEET OF