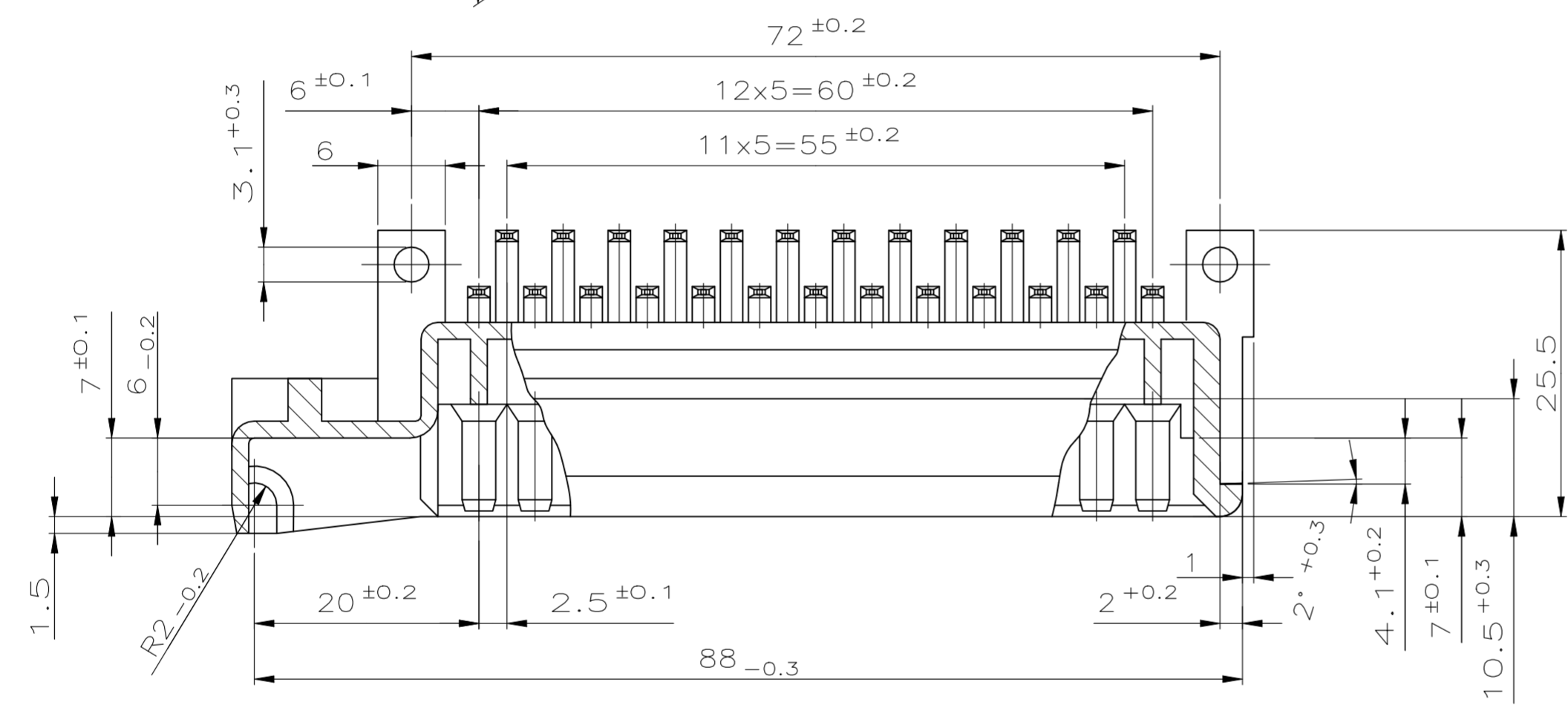
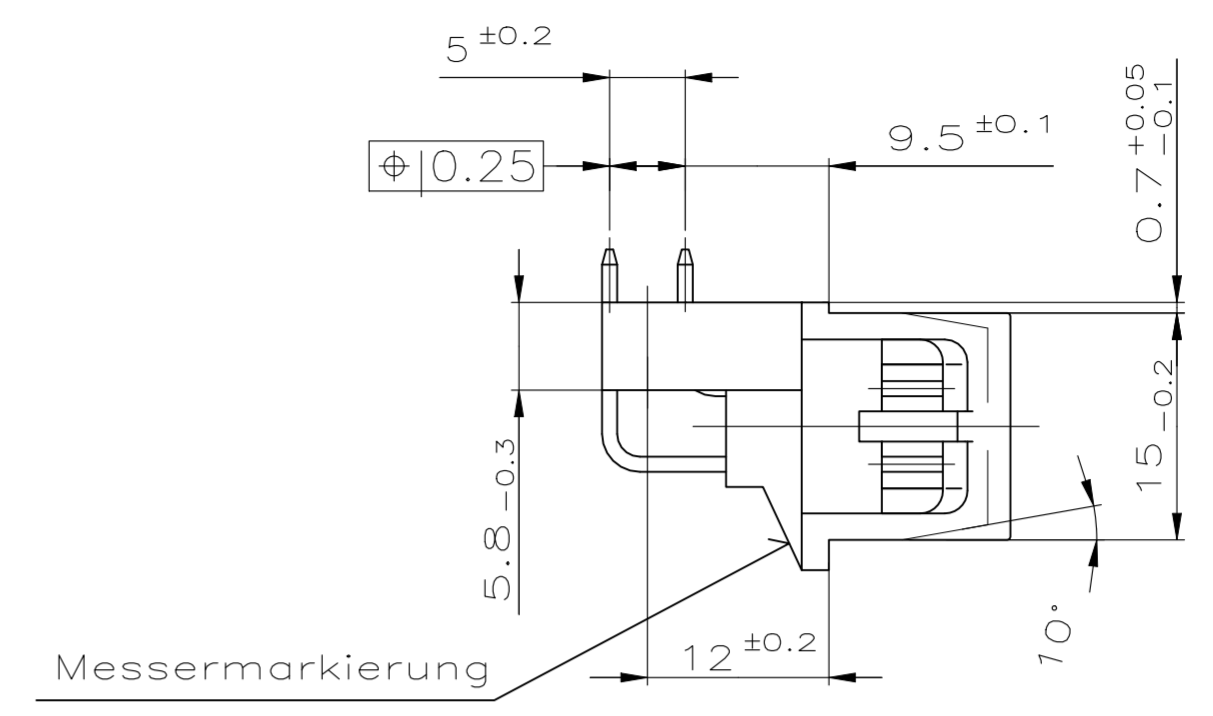
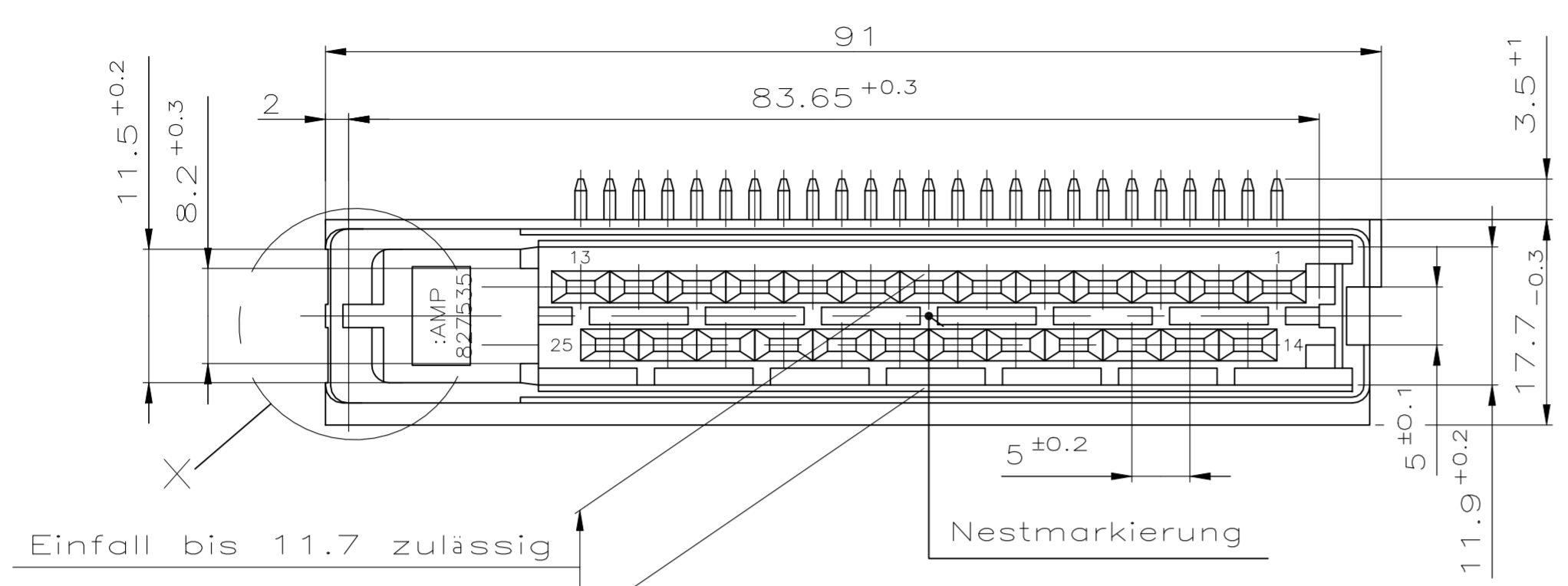


THIS INFORMATION IS CONFIDENTIAL AND PROPRIETARY TO TE CONNECTIVITY AND ITS WORLDWIDE SUBSIDIARIES AND AFFILIATES (TE). IT MAY NOT BE DISCLOSED TO ANYONE OTHER THAN THE PERSONS AUTHORIZED BY TE WITHOUT AUTHORIZATION FROM TE (www.Te.com).

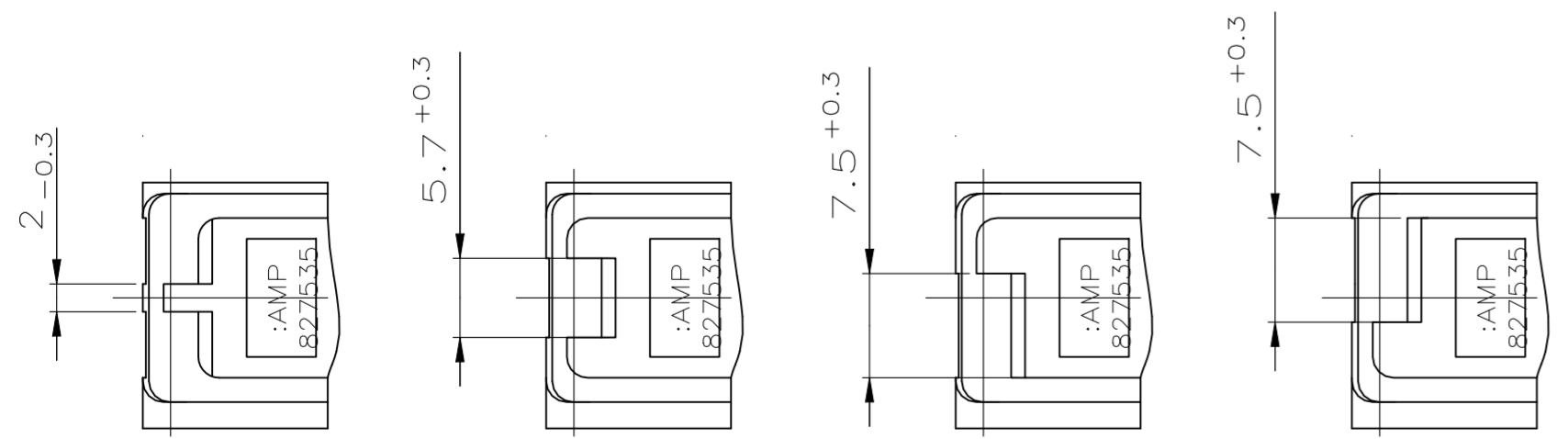
VERWENDET FÜR
THIS DRAWING IS A CONTROLLED DOCUMENT.
NUMMER DWG NO 827535

PASSEND ZU

USED ON



Kodierung – Einzelheit X



- 827535-1
- 827535-2
- 827535-3
- 827535-4
- 827535-5
- (F3) 827535-6
- (82-9545-2)
- 1-827535-2
- 1-827535-3
- (82-9545-3)
- 2-827535-2
- 2-827535-3
- 2-827535-4
- 82-9545-4

- (F6) **OBSOLETE**
- OBSOLETE**
- (F6) **OBSOLETE**

Cu Zn HOT DIPPED	2-827535-4	PA 6.6 GV 13	blau
Cu Zn vorverzinnt	2-827535-3	PA 6.6 GV 13	gelb
Cu Zn verzinnt	2-827535-2	PA 6.6 GV 13	gelb
OBSOLETE			
Cu Zn HOT DIPPED	1-827535-3	PA 6.6 GV 13	gelb
(F6) OBSOLETE			
Cu Zn verzinnt	1-827535-2	PA 6.6 GV 13	gelb
Cu Zn vorverzinnt	0-827535-6	PA 6.6 GV 13	braun
Cu Zn vergoldet	0-827535-5	PA 6.6 GV 13	schwarz
Cu Sn4 vorverzinnt	0-827535-4	PA 6.6 GV 13	schwarz
Cu Zn vorverzinnt	0-827535-3	PA 6.6 GV 13	schwarz
Cu Zn verzinnt	0-827535-2	PA 6.6 GV 13	gelb
Cu Zn verzinnt	0-827535-1	PA 6.6 GV 13	schwarz
Messerwerkstoff Oberflaeche	BESTELL-NR.	WERKSTOFF	OBERFLAECHEN FARBE

DWN	18.01.83	MATERIAL	-	HEAT TREAT	-
F.PETTKE					
CHK	19.01.83				
R.ULLRICH					
APVD	-				
NAME		25 pol. Messerleiste mit 4fach Kodierung und Verrastung			
SCALE	2:1	SIZE	A2	DRAWING NO	827535
SHEET		1 OF 1		REV F6	

P	LTR	REVISION RECORD	DATE	DWN	APVD
F6	ECR-22-132222		09MAR2022	MG	KK

DIMENSIONS:		TOLERANCES UNLESS OTHERWISE SPECIFIED:	
mm		0 PLC	± -
		1 PLC	± -
		2 PLC	± 0.3mm
		3 PLC	± -
		4 PLC	± -
ANGLES ±		1.5°	
SURFACE TEXTURE		√	