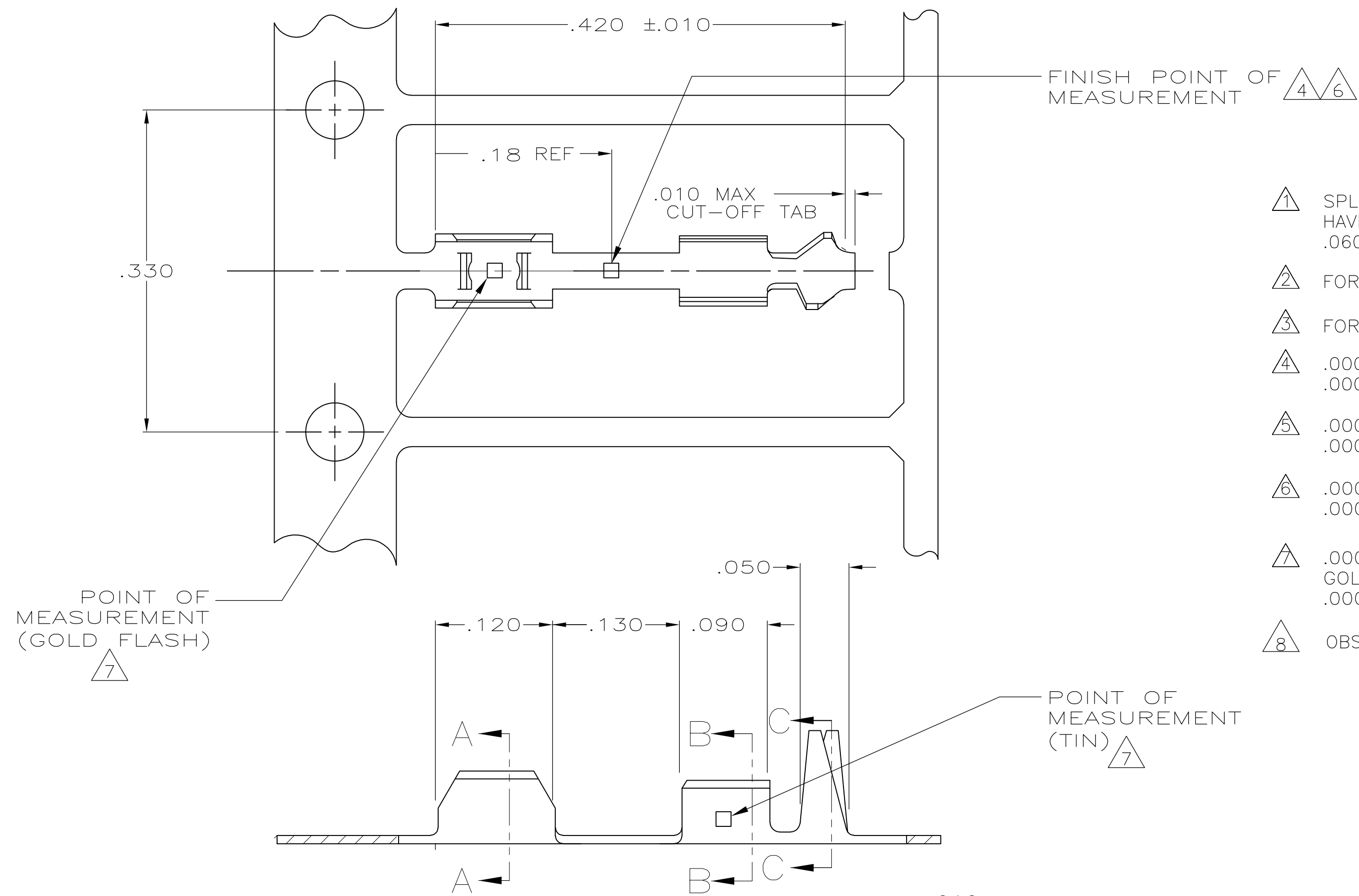


THIS DRAWING IS UNPUBLISHED. RELEASED FOR PUBLICATION
 © COPYRIGHT BY TYCO ELECTRONICS CORPORATION. ALL INTERNATIONAL RIGHTS RESERVED.

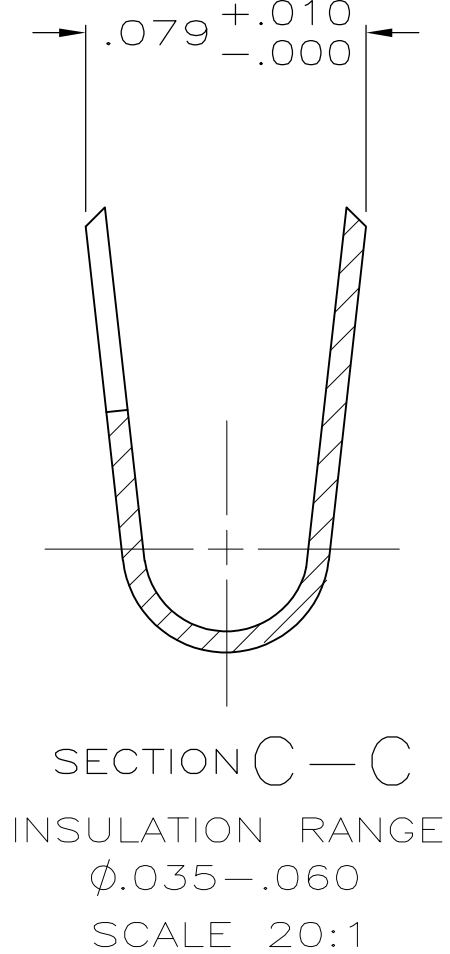
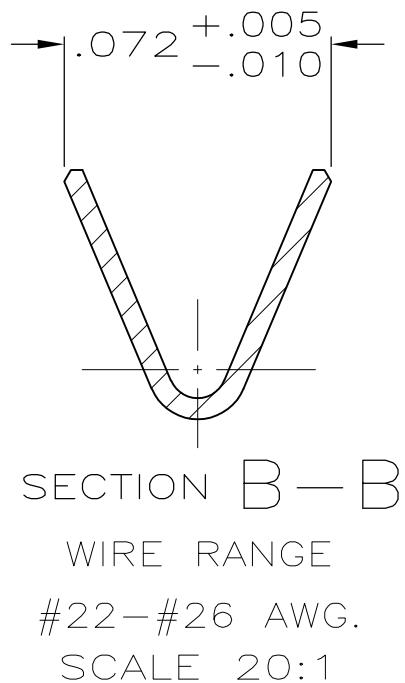
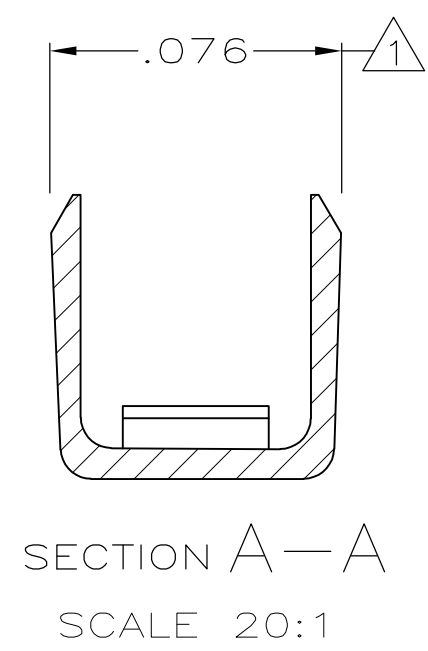
LOC	DIST	REVISIONS					
GP	00	P	LTR	DESCRIPTION	DATE	DWN	APVD
		AD		REVISED PER ECO-08-012445	20MAY08	JDP	CWR
		AD1		REVISED PER ECO-09-020932	24AUG09	KK	AEG



- ① SPLICE IS DESIGNED FOR USE WITH FLEXIBLE FLAT CONDUCTOR CABLE HAVING .015 MAX THICKNESS AND .060-.065 WIDE CONDUCTORS ON .100 MIN CENTER TO CENTER SPACING.
- ② FOR MINI APPLICATOR (REF 567097-2)
- ③ FOR FLEXIBLE FILM TERMINATION MACHINE (REF 768600-1)
- ④ .000015 MIN GOLD OVER
.000050 MIN NICKEL.
- ⑤ .000100 MIN BRIGHT TIN-LEAD OVER
.000050 MIN NICKEL.
- ⑥ .000040 MIN SILVER OVER
.000050 MIN NICKEL.
- ⑦ .000100 MIN TIN IN WIRE BARREL,
GOLD FLASH IN FFC BARREL, BOTH OVER
.000050 MIN NICKEL.
- ⑧ OBSOLETE PARTS: OBSOLETE CIS STREAMLINING PER D.RENAUD/D.SINISI

POINT OF MEASUREMENT (GOLD FLASH) ⑦

POINT OF MEASUREMENT (TIN) ⑦



SUPERSEDED BY 86773-7
 ⑧ OBSOLETE
 SUPERSEDED BY 86773-8

LOOSE PIECE PART NUMBER	FINISH	PART NUMBER
-	⑦ ③	86773-8
-	⑦ ②	86773-7
-	⑤ ②	86773-6
-	⑥	86773-5
-	⑤ ③	86773-4
86774-1	④ ③	86773-3
-	④ ②	86773-2

THIS DRAWING IS A CONTROLLED DOCUMENT.		DWN K. HELM 12-14-88	Tyco Electronics Corporation Harrisburg, PA 17105-3608	
DIMENSIONS: INCHES		CHK D.L. ROCKER 2-17-89	NAME G.D. MILLER	
TOLERANCES UNLESS OTHERWISE SPECIFIED:		APVD G.D. MILLER 2-17-89	PRODUCT SPEC 108-9024	
0 PLC ± -		APPLICATION SPEC 114-16002,03		
1 PLC ± -		WEIGHT -		
2 PLC ± -		SIZE A2 CAGE CODE 00779 C=86773		
3 PLC ± .005		DRAWING NO 114-16002,03		
4 PLC ± -		RESTRICTED TO -		
ANGLES ± -		SCALE 10:1 SHEET 1 of 1 REV AD1		
FINISH SEE TABLE		CUSTOMER DRAWING		