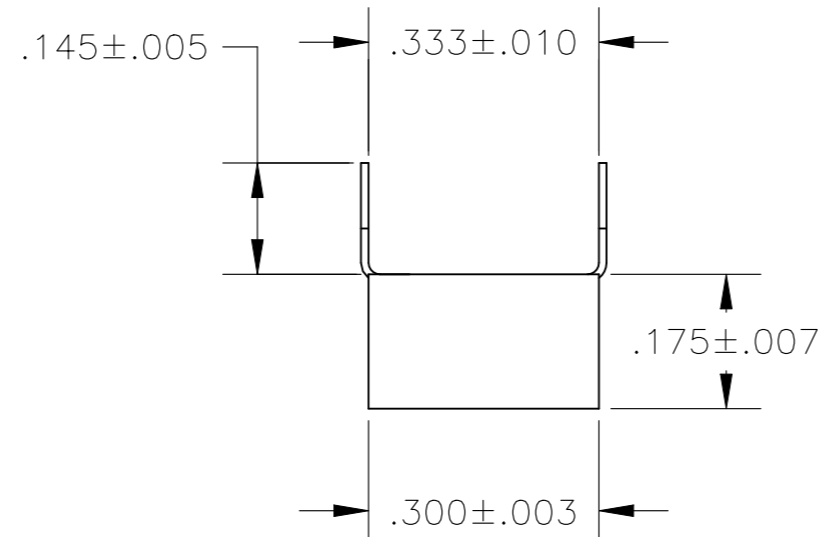
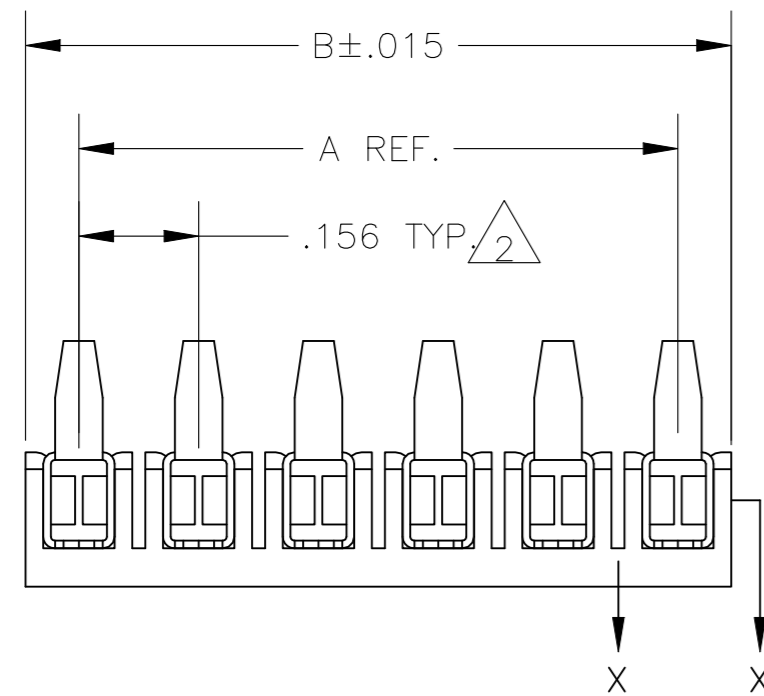
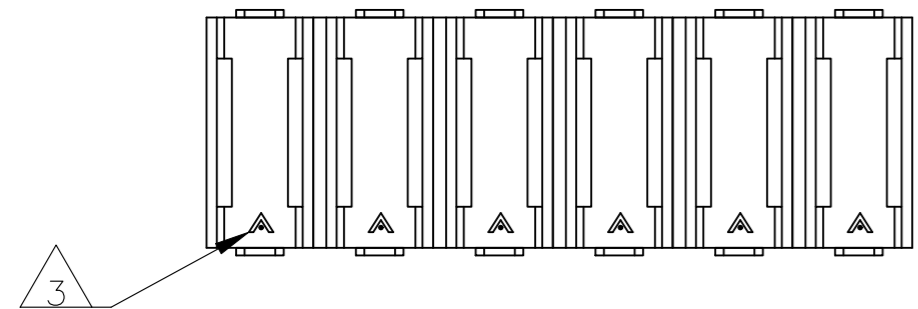
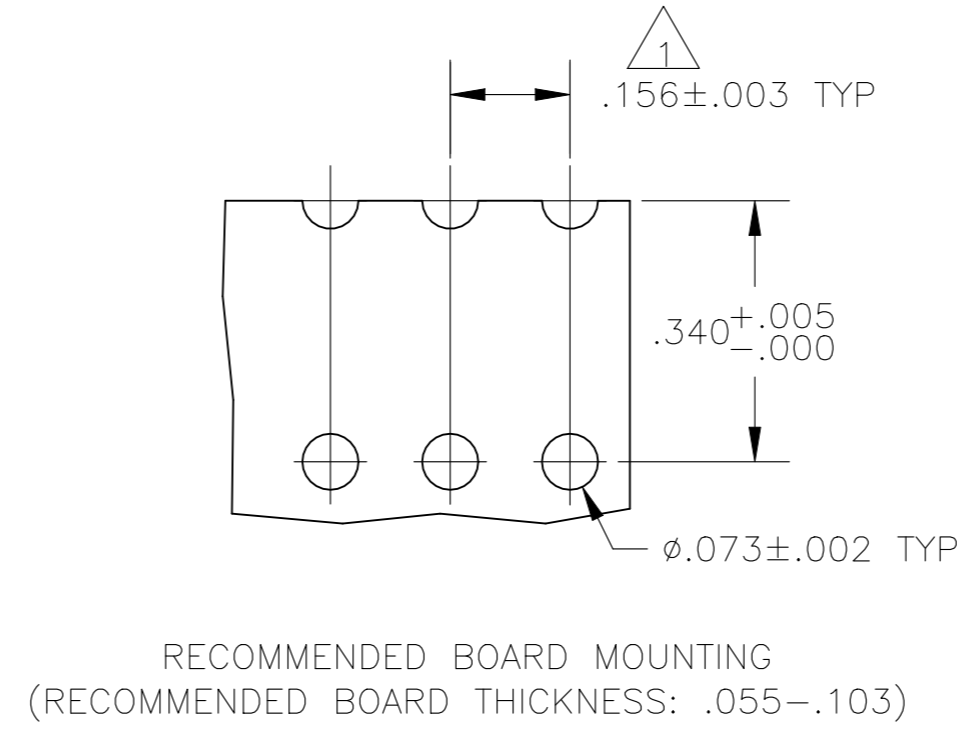
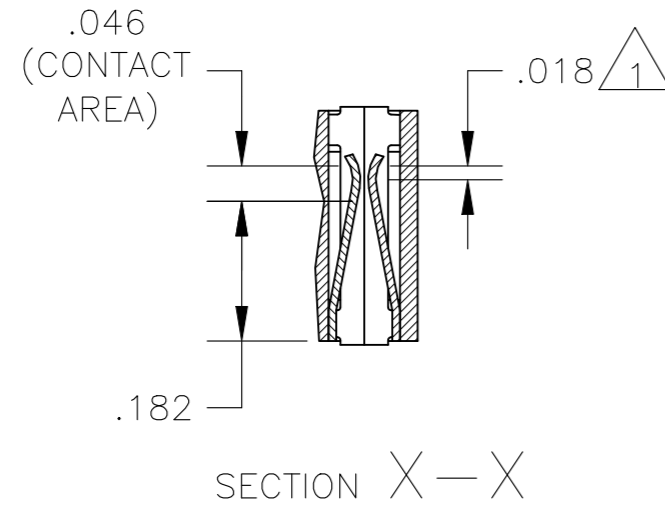


REVISIONS					
P	LTR	DESCRIPTION	DATE	DWN	APVD
M		RESIN SUPPLIER CHANGE FOR THE HOUSING	02JUN2022	SCB	PS

- 1 POINT OF MEASUREMENT FOR PLATING THICKNESS (INSIDE OF BEAMS).
- 2 TOLERANCE NON-CUMULATIVE.
- 3 THE MATING END OF THE CONTACT IS IDENTIFIED BY THE LETTER "A" STAMPED ON THE RECEPTACLE BOX.
- 4 OBSOLETE PARTS: OBSOLETE CIS STREAMLINING PER D.RENAUD/D.SINISI



	3.120	2.964	20	2-87987-0
	2.964	2.808	19	1-87987-9
	2.808	2.652	18	1-87987-8
	2.652	2.496	17	1-87987-7
	2.496	2.340	16	1-87987-6
	2.340	2.184	15	1-87987-5
	2.184	2.028	14	1-87987-4
	2.028	1.872	13	1-87987-3
	1.872	1.716	12	1-87987-2
	1.716	1.560	11	1-87987-1
	1.560	1.404	10	1-87987-0
	1.404	1.248	9	87987-9
	1.248	1.092	8	87987-8
	1.092	.936	7	87987-7
	.936	.780	6	87987-6
	.780	.624	5	87987-5
	.624	.468	4	87987-4
	.468	.312	3	87987-3
	.312	.156	2	87987-2
	B	A	NO OF POSN	ASSEMBLY PART NUMBER

THIS DRAWING IS A CONTROLLED DOCUMENT.		DWN L A MAYER 17MAR86	TE TE Connectivity	
DIMENSIONS: INCHES		CHK P deJONG 17MAR86		
TOLERANCES UNLESS OTHERWISE SPECIFIED:		APVD P deJONG 17MAR86	NAME	
0 PLC ± -		PRODUCT SPEC	ASSY, MOD I, BOARD MOUNT RECP, .156 CL, STD PRESSURE, TYPE C, FOR ROUND HOLE MOUNTING	
1 PLC ± -		108-25,016	SIZE	RESTRICTED TO
2 PLC ± -		APPLICATION SPEC	A2	
3 PLC ± .005		114-25,004	CAGE CODE	DRAWING NO
4 PLC ± -		WEIGHT	00779	C=87987
ANGLES ± -		CUSTOMER DRAWING	SCALE	SHEET
FINISH		CONTACTS: .00079 MIN TIN	4:1	1 OF 1
MATERIAL: HOUSING-FLAME RETARDANT THERMOPLASTIC, COLOR-BLACK CONTACTS-PHOS BRONZE			REV	M