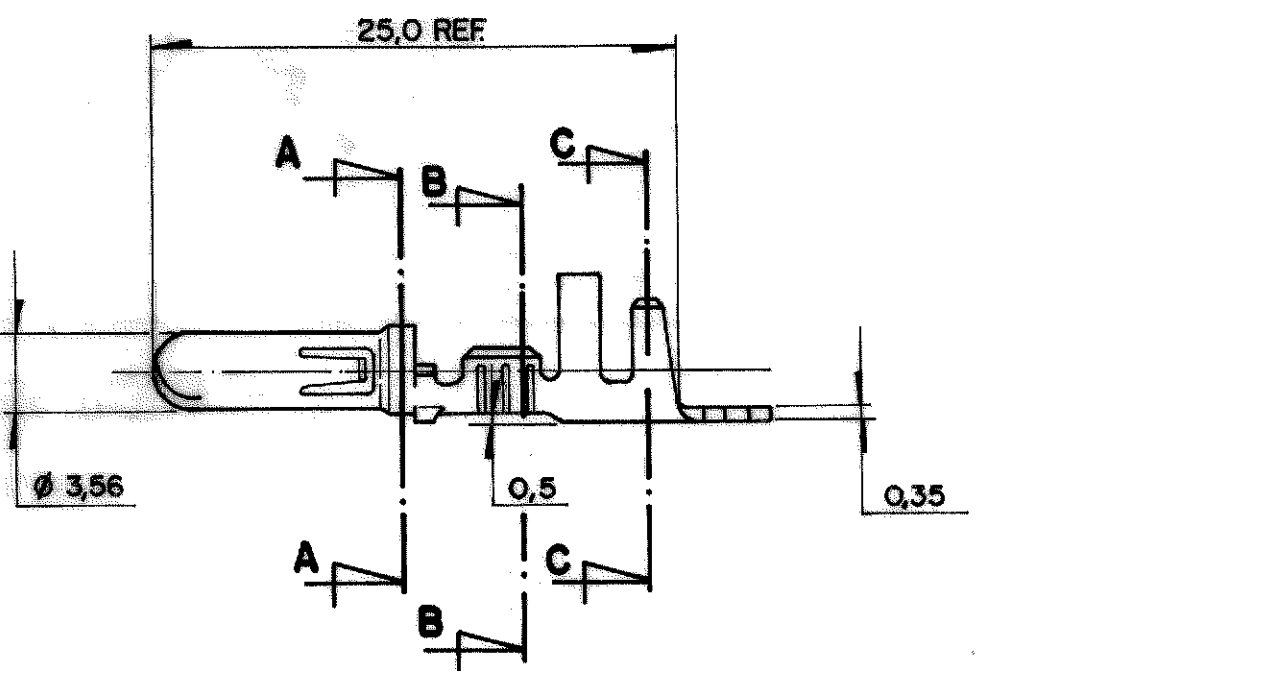
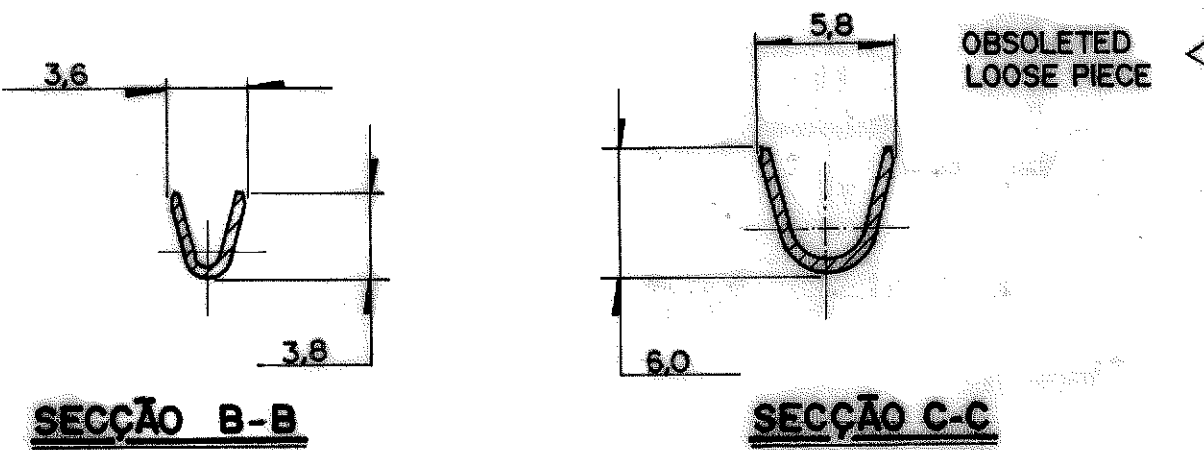
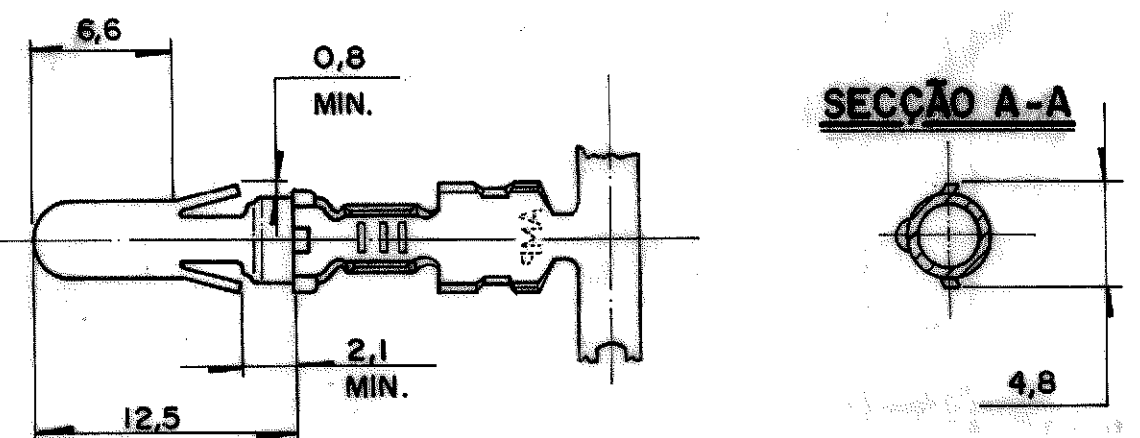
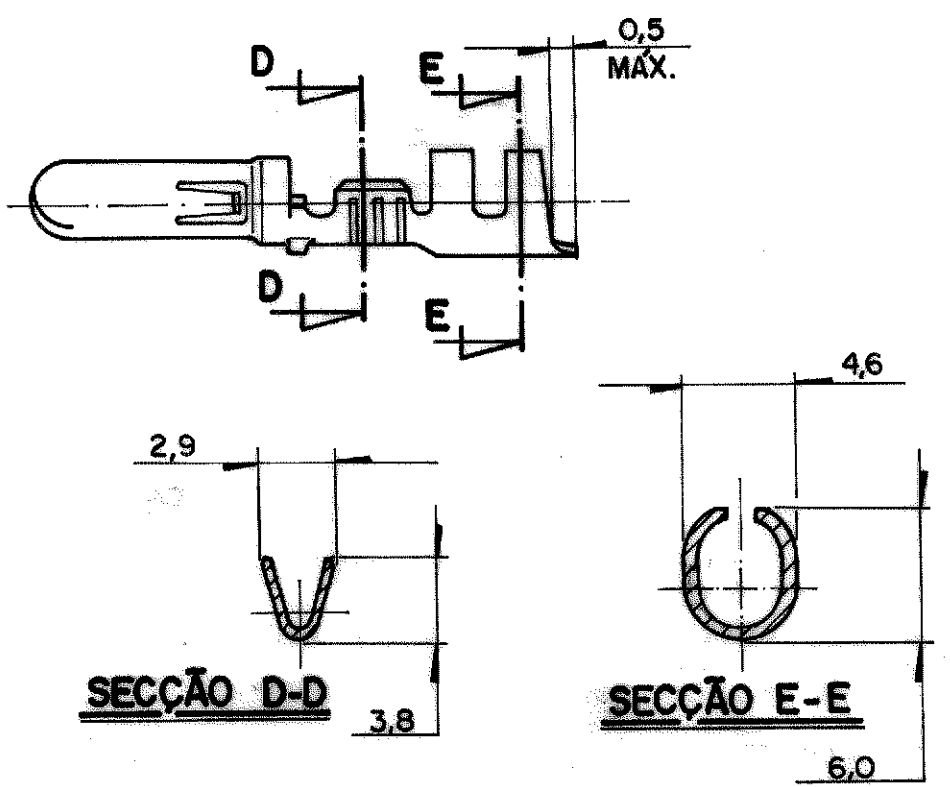


SHEET 1 OF 1
C 880685

DWG NO.		DO NOT SCALE		METRIC		3rd ANGLE PROJECTION	
		DIMENSIONS IN mm.					
REQ. PER ASSY	ITEM	DESCRIPTION	MATERIAL	FINISH			



DETALHE - LOOSE PIECE



OBSOLETE
LOOSE PIECE

NOTAS:

- 1- PARA CRIMPAGEM DA PEÇA SOLTA USAR FERR. MANUAL CRIMPAC II PN-825582.
- 2 OBSOLETE PARTS: OBSOLETE CIS STREAMLINING PER D.RENAUD/D.SINISI

5	PRATEADO		2	5
4	ESTANHADO		2	4
3		BRONZE FOSF.		3
2	ESTANHADO			2
880685		LATÃO		880685 -1
LOOSE PIECE	FINISH	MATERIAL	PART NUMBER	

CUSTOMER DWG
for REFERENCE ONLY

THIS DRAWING IS UNPUBLISHED | RELEASED FOR PUBLICATION 19

© COPYRIGHT 19 BY AMP DO BRASIL LTDA S.P. ALL INTERNATIONAL RIGHTS RESERVED AMP PRODUCTS MAY BE COVERED BY U.S. AND FOREIGN PATENTS AND/OR PATENTS PENDING.

TOLERANCES UNLESS OTHERWISE STATED
DEC. ± 0,3
ANGLES ± 1°

INS. DIA. RANGE 2,7 ÷ 4,0mm. WIRE RANGE >10 ÷ 2,5mm² SCALE

AMP AMP do BRASIL LTDA.
São Paulo, Brasil

DESCRIPTION: .140 DIA PIN

REV B1

DWG NO. A3 C 880685

SHEET 1 of 1

B1	REVISED PER ECO-09-026444	KK AEG	27NOV09
B	OBSOLETE LOOSE PIECE VERSIONS 0234/02	4 C	03/JUL/02
A1	PRATEADO	0092/95	13 FEB 95

ISS REVISION RECORD ECN BR DATE APP. P. PASCHOA 14/FEB/95