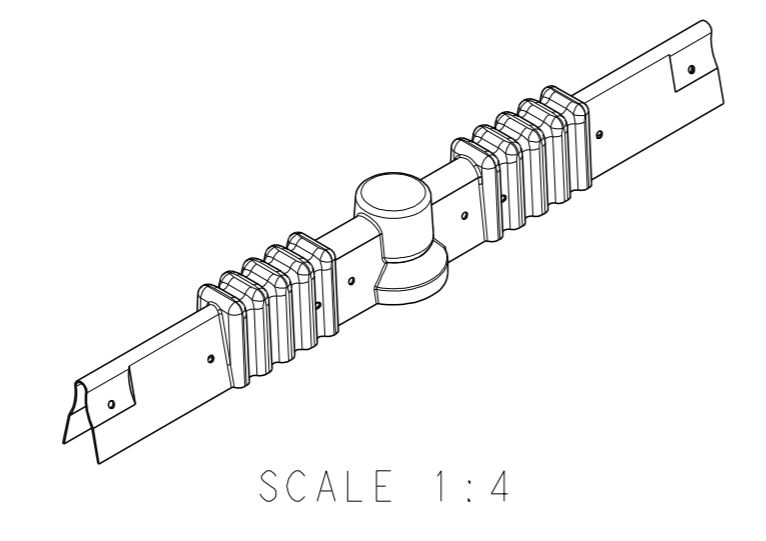
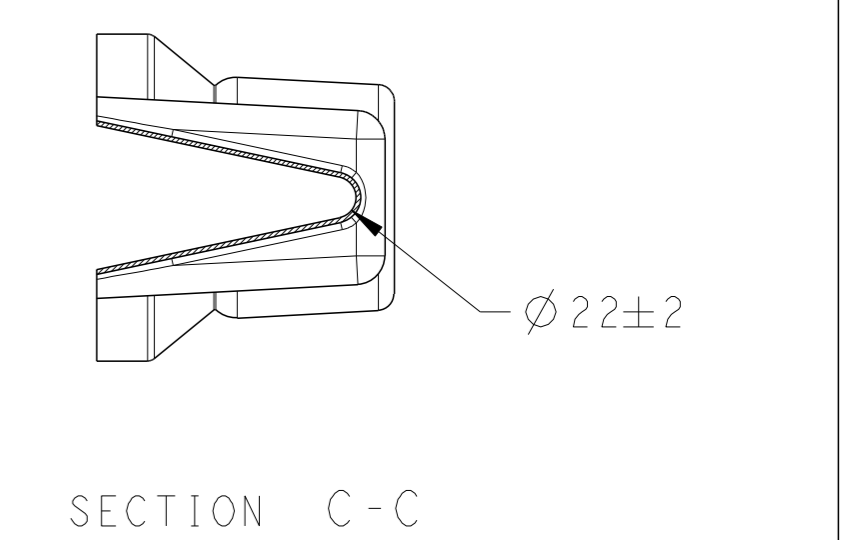
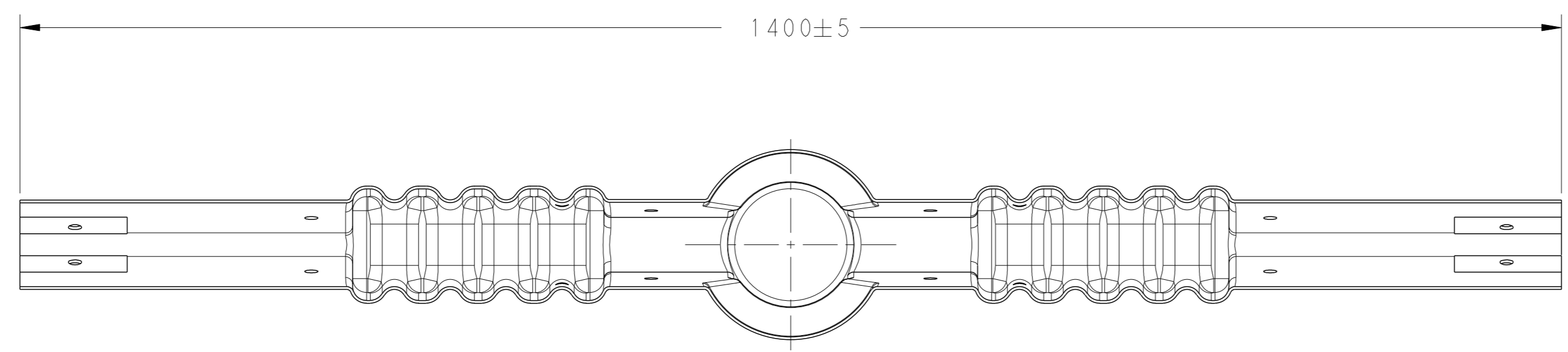
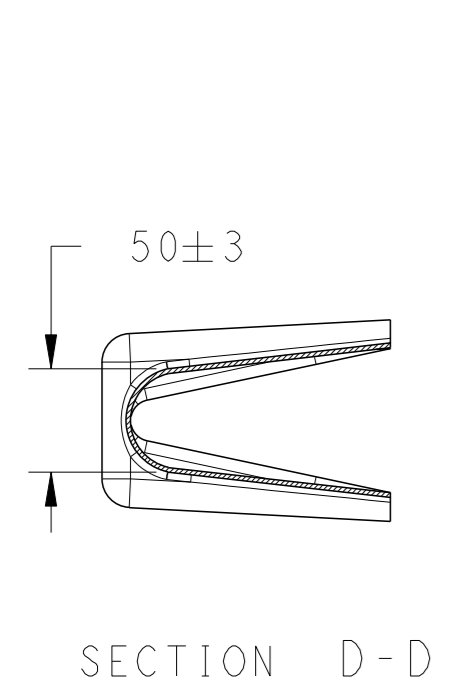
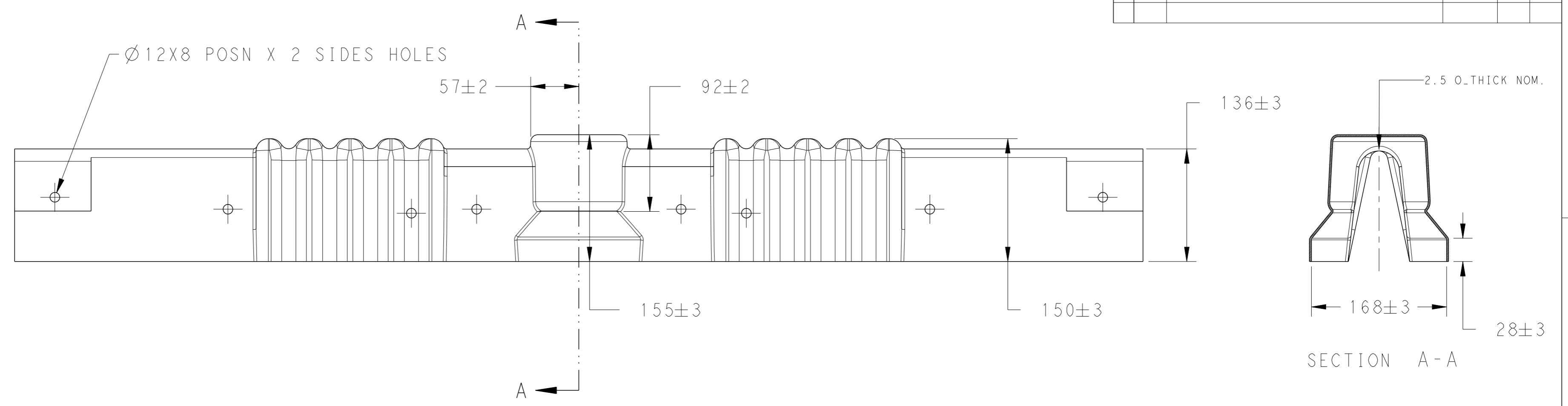


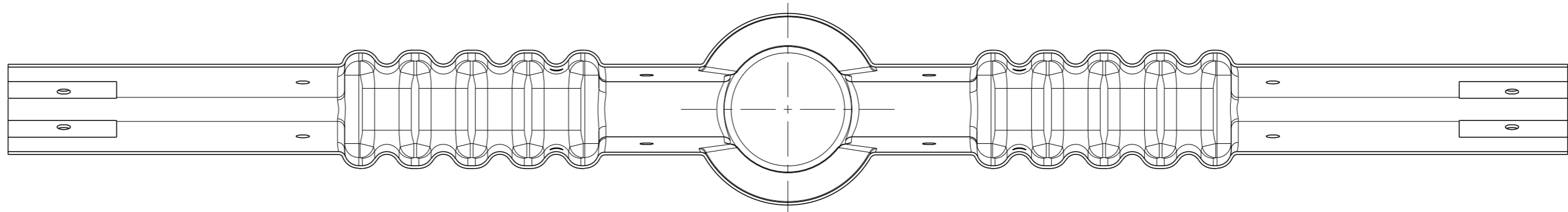
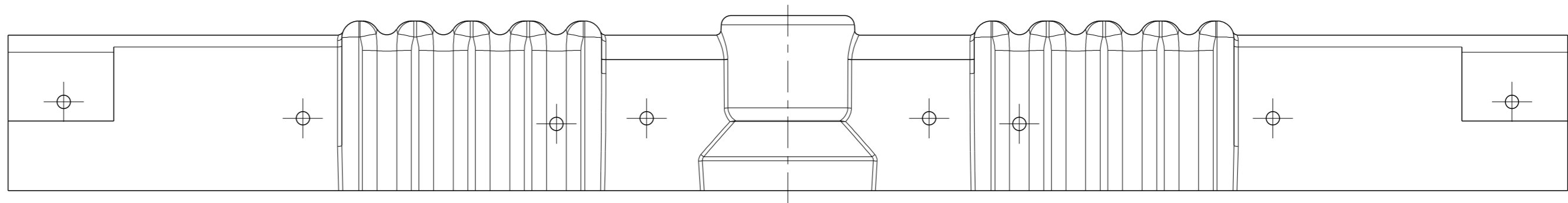
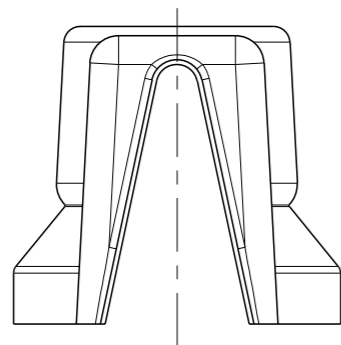
LOC		DIST		REVISIONS			
P	LTR	DESCRIPTION	DATE	DWN	APVD		
	A	NEW DRAWING	14MAR2012	VP	I.B		
	B	The Hole dimension change to 12mm	30MAY201	VP	I.B		



THIS DRAWING IS A CONTROLLED DOCUMENT.		DWN Vishnu 14MAR2012	TE TE Connectivity															
DIMENSIONS: mm		CHK I_BOND 14MAR2012																
TOLERANCES UNLESS OTHERWISE SPECIFIED:		APVD I_Bond 14MAR2012	NAME BCIC-1217-TR-DE01-(B36)															
<table border="0"> <tr><td>Ø PLC</td><td>±</td></tr> <tr><td>1 PCC</td><td>±</td></tr> <tr><td>2 PCC</td><td>±</td></tr> <tr><td>3 PCC</td><td>±</td></tr> <tr><td>4 PCC</td><td>±</td></tr> <tr><td>ANGLES</td><td>±1°</td></tr> <tr><td>FINISH</td><td></td></tr> </table>		Ø PLC	±	1 PCC	±	2 PCC	±	3 PCC	±	4 PCC	±	ANGLES	±1°	FINISH		PRODUCT SPEC -	SIZE A200779 C=9-1899717-0	
Ø PLC	±																	
1 PCC	±																	
2 PCC	±																	
3 PCC	±																	
4 PCC	±																	
ANGLES	±1°																	
FINISH																		
MATERIAL -		APPLICATION SPEC -	DRAWING NO C=9-1899717-0															
		WEIGHT -	RESTRICTED TO -															
		CUSTOMER DRAWING	SCALE 1:4 SHEET 1 OF 2 REV B															

THIS DRAWING IS UNPUBLISHED
 RELEASED FOR PUBLICATION 2012
 © COPYRIGHT 2012 By TE Connectivity ALL RIGHTS RESERVED.

LOC	DIST	REVISIONS			
P	LTR	DESCRIPTION	DATE	DWN	APVD
-	-	SEE SHEET 1	-	-	-



1. MATERIAL : CLEAR PET-
2. MIN WALL THICKNESS 1.5 mm
3. TOLERANCE +/-3mm UNLESS OTHERWISE STATED.
4. COLD MARKS ALLOWABLE SO LONG AS WALL THICKNESS MAINTAINED.
5. PART TO BE SHIPPED CLEAN AND FREE OF DUST AND DEBRIS.
6. EACH PART TO BE EMBOSSSED WITH "TE CONNECTIVITY" , "DATE" , PART NO" AND "RECYCLE CYMBOL".
MIN 6mm HIGH.
7. EACH BOX TO BE LABELLED WITH DESCRIPTION, BATCH NO, PART NO
MANUFACTURE DATE AND QUALITY.
8. EACH BOX TO INCLUDE 8pcs x 36 BAGS CABLE TIES.
9. EACH BOX TO INCLUDE 1x INSTALLATION INSTRUCTION
10. EACH BOX TO INCLUDE 36x CLEAR BIRDCAPS

THIS DRAWING IS A CONTROLLED DOCUMENT.		DWN Vishnu 14MAR2012	TE TE Connectivity	
DIMENSIONS: mm		CHK I. BOND 14MAR2012		
TOLERANCES UNLESS OTHERWISE SPECIFIED:		APVD I. Bond 14MAR2012	NAME BCIC-1217-TR-DE01-(B36)	
		PRODUCT SPEC	SIZE CAGE CODE DRAWING NO RESTRICTED TO	
 1 PLC ±0.15 2 PLC ±0.15 3 PLC ±0.15 4 PLC ±0.15 ANGLES ±1° FINISH 		APPLICATION SPEC	A200779 C=9-1899717-0	
MATERIAL		WEIGHT	SCALE 1:4 SHEET 2 OF 2 REV B	
-		CUSTOMER DRAWING	-	