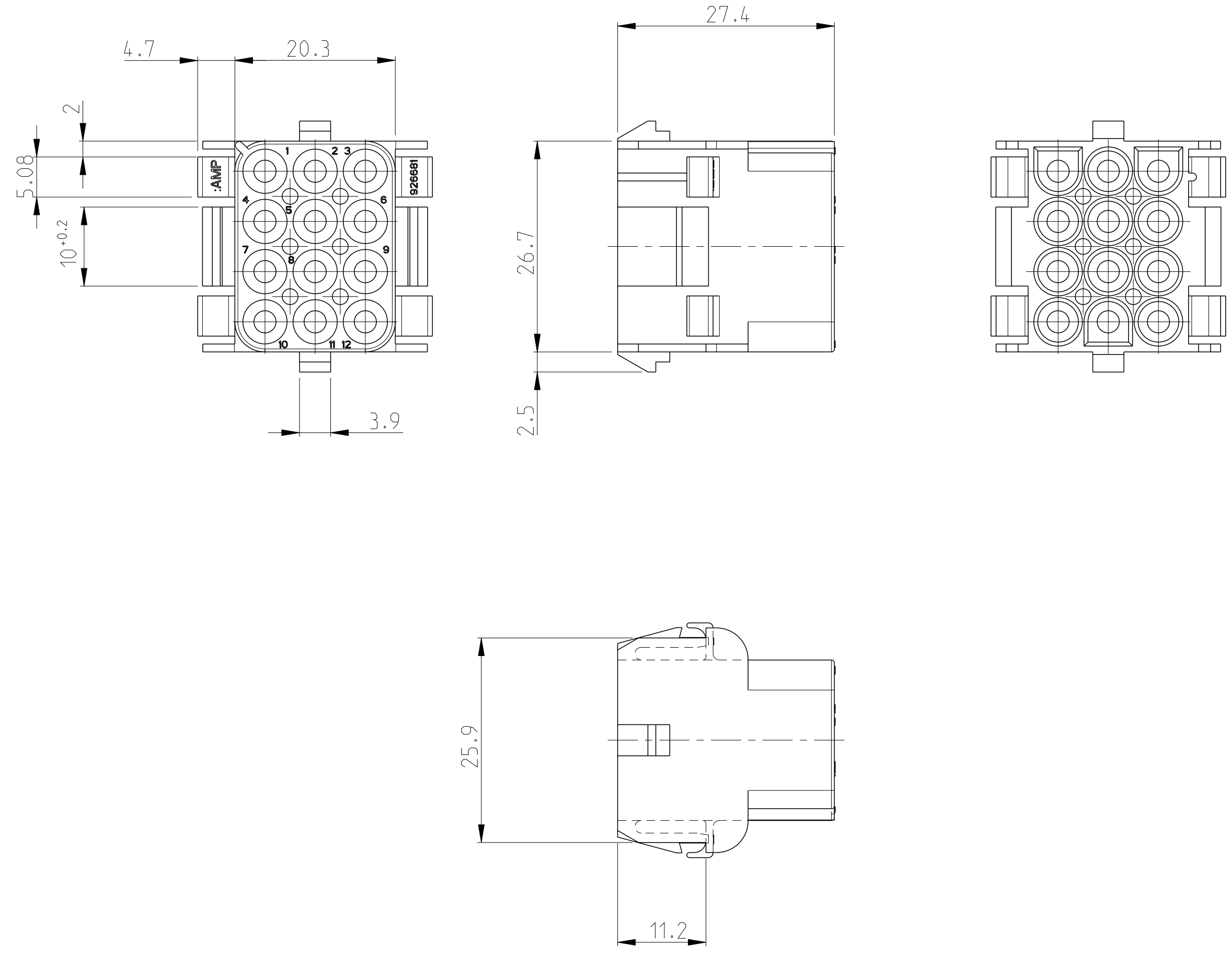
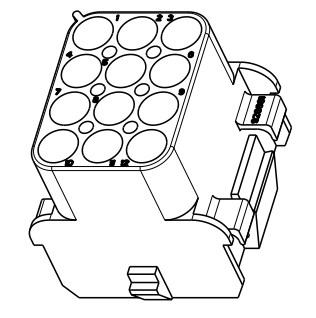
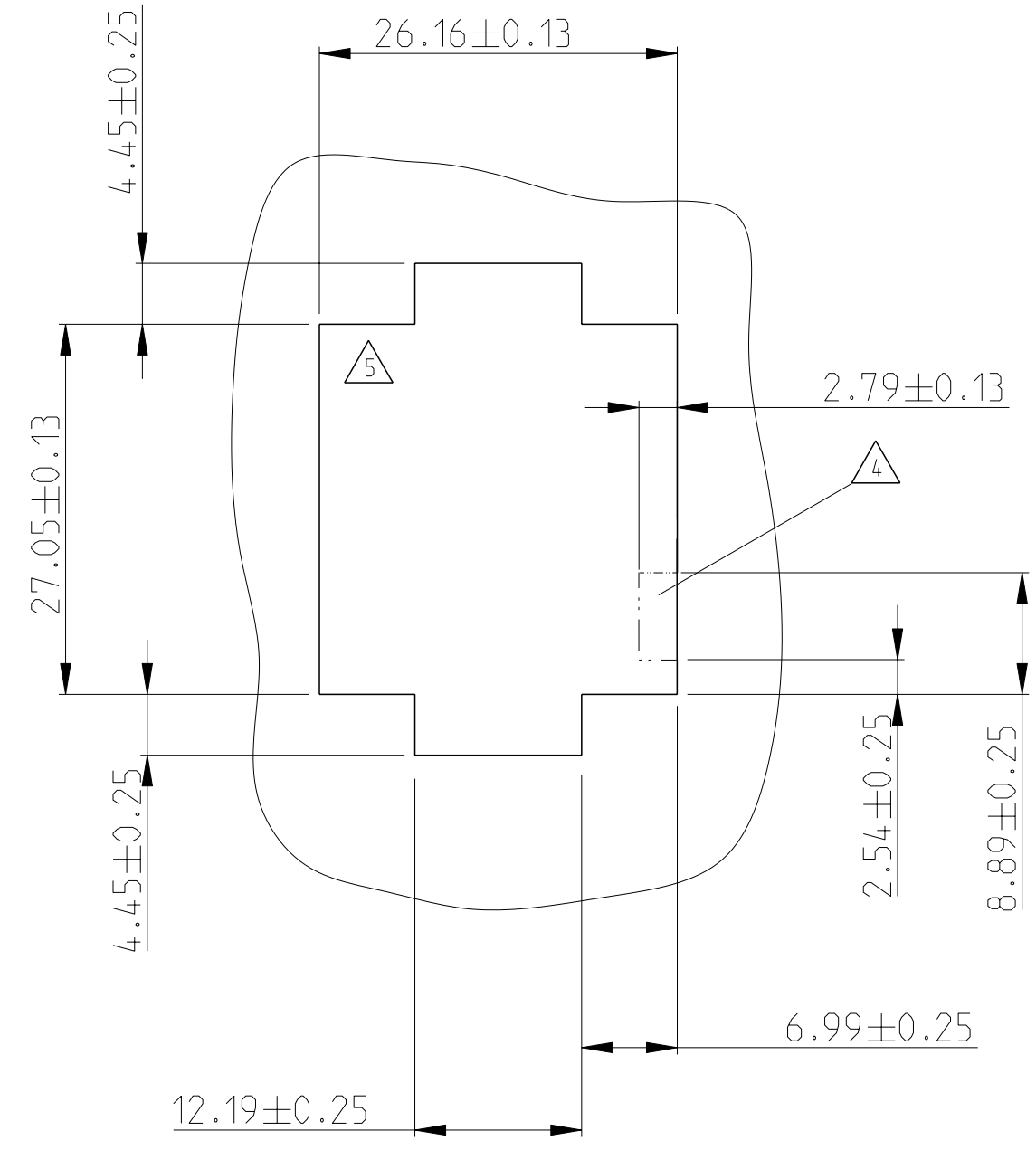


THIS DRAWING IS UNPUBLISHED. RELEASED FOR PUBLICATION 2003  
 © COPYRIGHT 2003 BY - ALL RIGHTS RESERVED.

REVISIONS				
P	LTR	DESCRIPTION	DATE	APVD
B3		REVISED PER ECR-17-014951	16OCT2017	BDA KR



Montageausschnitt/PANEL CUT OUT  
 Bestückungsseite/LOADING SIDE



1:1

Bemerkungen  
 NOTES

- Geeignet für UMNL Stift- und Buchsenkontakte  
 BEEN SUITABLE FOR UMNL PIN- AND SOCKET CONTACTS
- Empfohlene Blechstärke 0,75 - 2,3 mm  
 RECOMMEND SHEET METAL THICKNESS 0.75 - 2.3 mm
- Gehäuse muß in Stanzrichtung eingeführt werden  
 HOUSING MUST BE INTRODUCED TO PUNCHING DIRECTION
- Für verschlüsseltes Einsetzen der Gehäuse  
 FOR CODED USING OF THE HOUSINGS
- Position von Kammer 1 bei verschlüsseltem Einsetzen  
 POSITION OF CAVITY 1 FOR CODED USING
- Neues Material ( Phosphor und Halogen frei )  
 NEW MATERIAL ( PHOSPHORUS AND HALOGENEOUS FREE )
- DIMENSIONS SHOWN REPRESENT PRODUCT IN DRY, AS MOLDED, CONDITION.  
 ADDITIONAL 2% GROWTH DUE TO SUBSEQUENT MOISTURE ABSORPTION MAY OCCUR  
 AND SHOULD BE ACCOUNTED FOR.

PART NO.	REV.	MATERIAL	COLOR
926681-5	B	PA6.6 UL94 V-2	natur/NATURAL
926681-4	B	PA6.6 UL94 V-2 DURETHAN VPKU2	weiß/WHITE
926681-3	B	PA6.6 UL94 V-0	6 natur/NATURAL
926681-2	A	PA6.6 UL94 V-0	6 schwarz/BLACK
926681-1	A	PA6.6 UL94 V-2 ZYTEL E101	natur/NATURAL

DIMENSIONS:		TOLERANCES UNLESS OTHERWISE SPECIFIED:	
mm			
0 PLC/	±		
1 PLC/	±		
2 PLC/	± 0.2		
3 PLC/	±		
4 PLC/	±		
ANGLES	±		
FINISH			

THIS DRAWING IS A CONTROLLED DOCUMENT.		DWN Abraham.G. 08MAY03		CHK Kampmann.H. 09MAY03		APVD		NAME	
								12-pol. UMNL Aufnahmegehäuse	
								UMNL 12-WAY CAP HSG	
								SIZE	
								CAGE CODE	
								DRAWING NO	
								RESTRICTED TO	
								A200779	
								G= 926681	
								SCALE 2:1	
								SHEET 1 OF 1	
								REV B3	