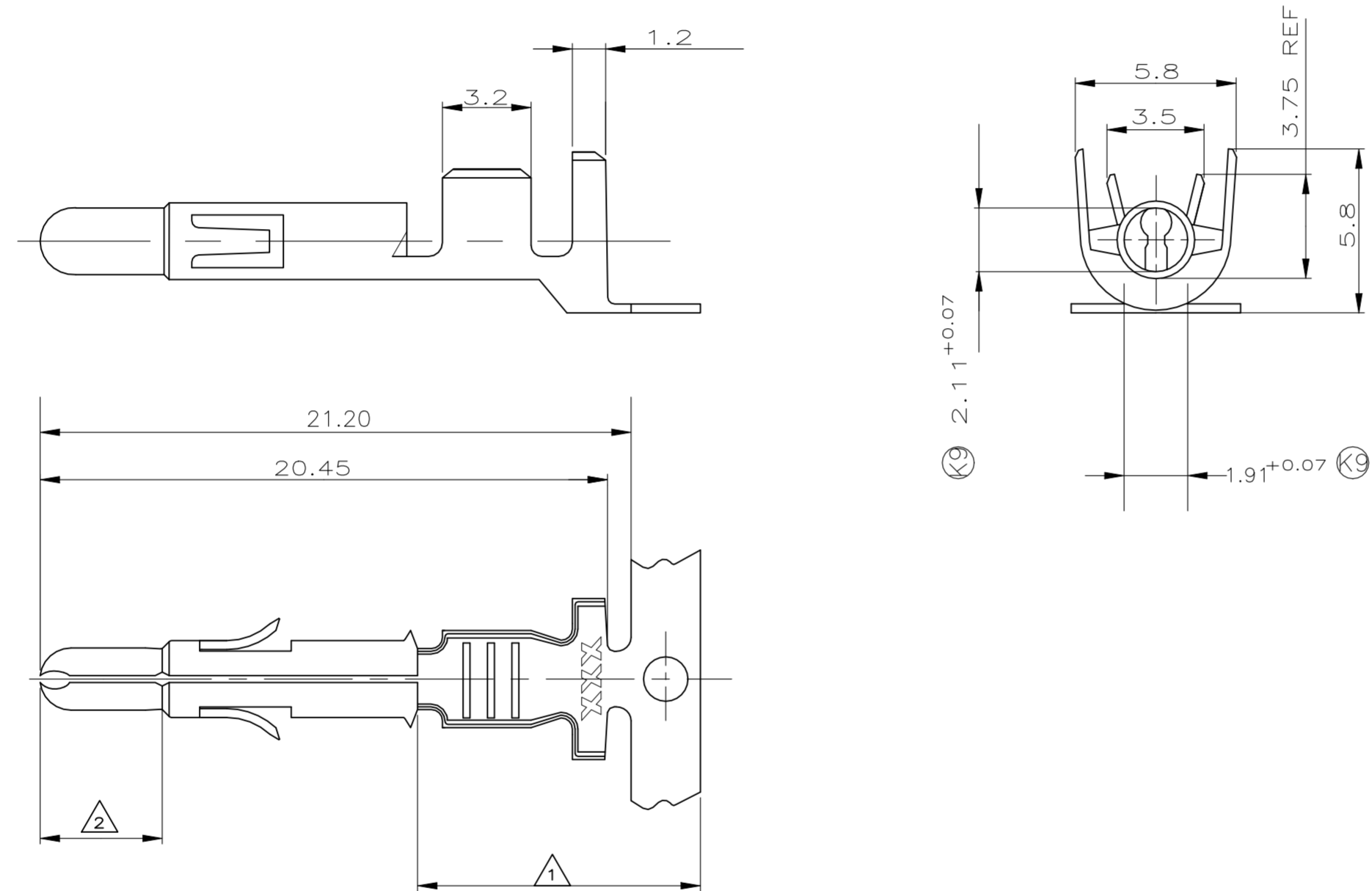


THIS DRAWING IS UNPUBLISHED. RELEASED FOR PUBLICATION
 © COPYRIGHT - By - ALL RIGHTS RESERVED.

REVISIONS					
P	LTR	DESCRIPTION	DATE	DWN	APVD
K9		REVISED PER ECR-23-192333	13NOV2023	RS	BR

- △ 2-5µm Sn über Ni in der crimpzone.
- △ 0.8µM Gold über Nickel in der kontaktzone
- 3 Für isolations Ø3.3-5.1 mm geeignet
- △ OBSOLETE PARTS: OBSOLETE CIS STREAMLINING PER D.RENAUD/D.SINISI.



△ 4	OBSOLETE	926902-7	926899-7	BRASS	△ 1 △ 2
	OBSOLETE	926902-6	926899-6	PHOS BRONZE	△ 1 △ 2
	OBSOLETE	926902-5	926899-5	COPPER ALLOY	vorverzinkt
	OBSOLETE	926902-4	926899-4	COPPER ALLOY	blank
		926902-3	926899-3	PHOS BRONZE	vorverzinkt
		926902-1	926899-1	BRASS	vorverzinkt
	LOOSE PIECE	Bestell-Nr	werkstoff	Oberfläche	Farbe

THIS DRAWING IS A CONTROLLED DOCUMENT.		DWN	11.11.03	STE TE Connectivity	
		CHK	12.11.03		
		APVD	13.11.03		
		PRODUCT SPEC			
DIMENSIONS: mm		TOLERANCES UNLESS OTHERWISE SPECIFIED:		NAME	
		0 PLC	± -	UNIVERSAL M-N-L STIFT DGB 1.5-2.5 mm2	
		1 PLC	± -		
		2 PLC	± 0.2		
		3 PLC	± -		
		4 PLC	± -		
MATERIAL		FINISH		SIZE	CAGE CODE
				A2	00779
				DRAWING NO	RESTRICTED TO
				C=926899	-
				CUSTOMER DRAWING	SCALE
				5:1	SHEET
				1 of 1	REV
				K9	