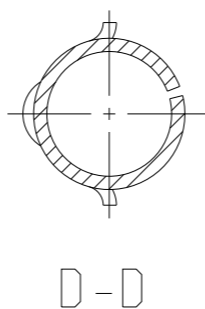
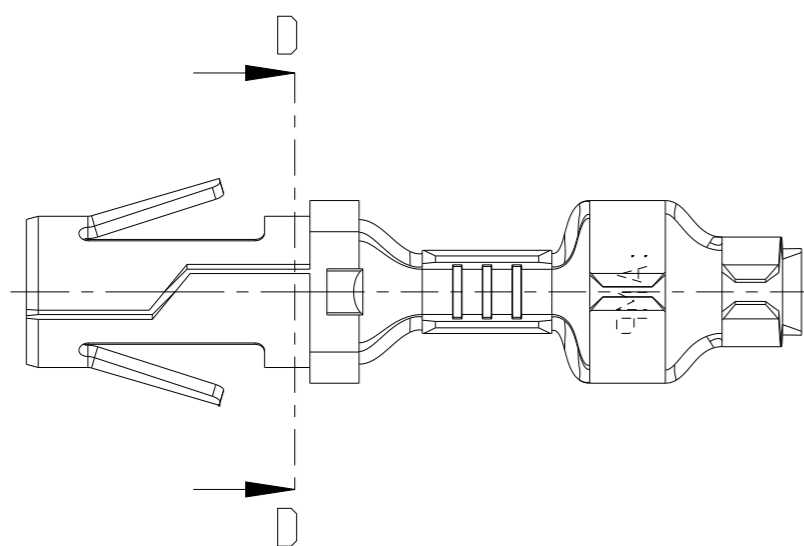
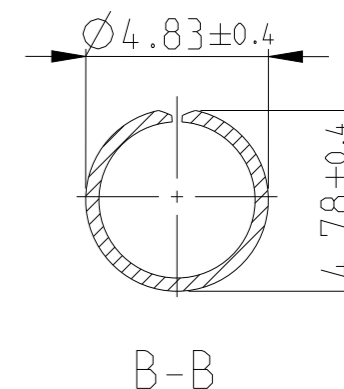
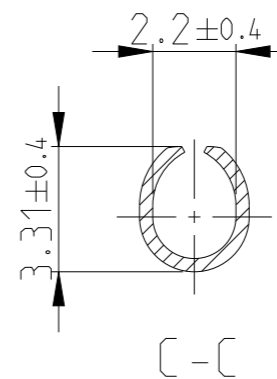
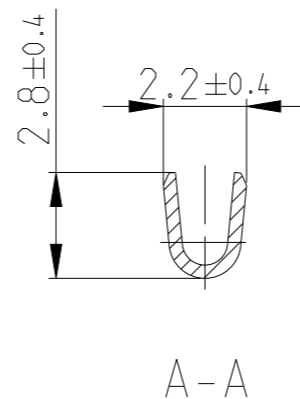
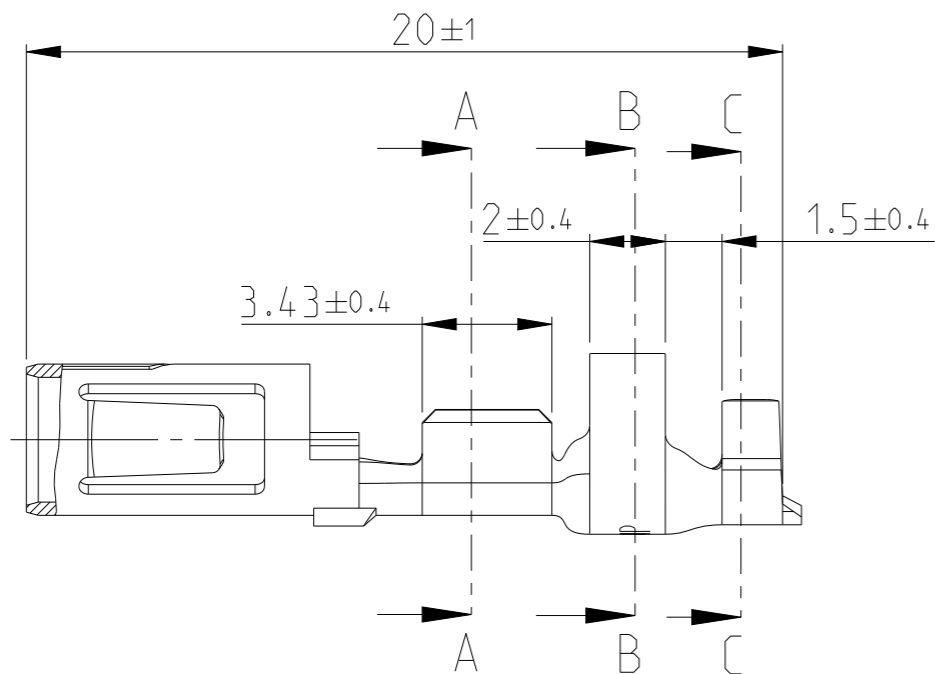


LOC  
AL

DIST  
2

REVISIONS

P	LTR	DESCRIPTION	DATE	DWN	APVD
	A	New drawing released	25NOV2008	J.S	P.E.G
	A1	ECR-10-026307	15JUN11	KK	HMR
	A2	REVISED PER ECR-20-005051	27OCT2020	SS	VS
	A3	REVISED PER ECN-21-128636	02DEC2021	WLS	VS



Cross section in mm <sup>2</sup>		0.5	0.75	1.0	1.5	2.0	2.5	3.0	4.0	6.0
Single connection										
0.5	X	X								
0.75	X									
1.0	X									
1.5										
2.0										
2.5										
3.0										
4.0										
6.0										

Terminal conductor: FLK-Cable  
 Conductor : F-Crimp  
 Insulation : O-Crimp

Wire size: 0.5-1.0 mm<sup>2</sup>

OBSOLETE	<del>Silver</del>	Phosphor Bronze	927844-4
OBSOLETE	<del>Plain</del>	Phosphor Bronze	927844-3
	Pre-tin	Phosphor Bronze	927844-2
OBSOLETE	<del>Pre-tin</del>	Brass	927844-1
	Finish	Material	Part no.

THIS DRAWING IS A CONTROLLED DOCUMENT.

DIMENSIONS: mm

TOLERANCES UNLESS OTHERWISE SPECIFIED:

0 PLC	±0.2
1 PLC	±0.2
2 PLC	±0.2
3 PLC	±0.2
4 PLC	±0.2
ANGLES	±1° 30'
FINISH	see table

MATERIAL see table

DWN J. Salo 25NOV2008

CHK R. Sole 25NOV2008

APVD P.E.Grassano 25NOV2008

PRODUCT SPEC -

APPLICATION SPEC -

WEIGHT -

CUSTOMER DRAWING

**STE** TE Connectivity

NAME .140 DIA SOCKET

SIZE A3 CAGE CODE - DRAWING NO ©=927844 RESTRICTED TO

SCALE 5:1 SHEET 1 OF 1 REV A3