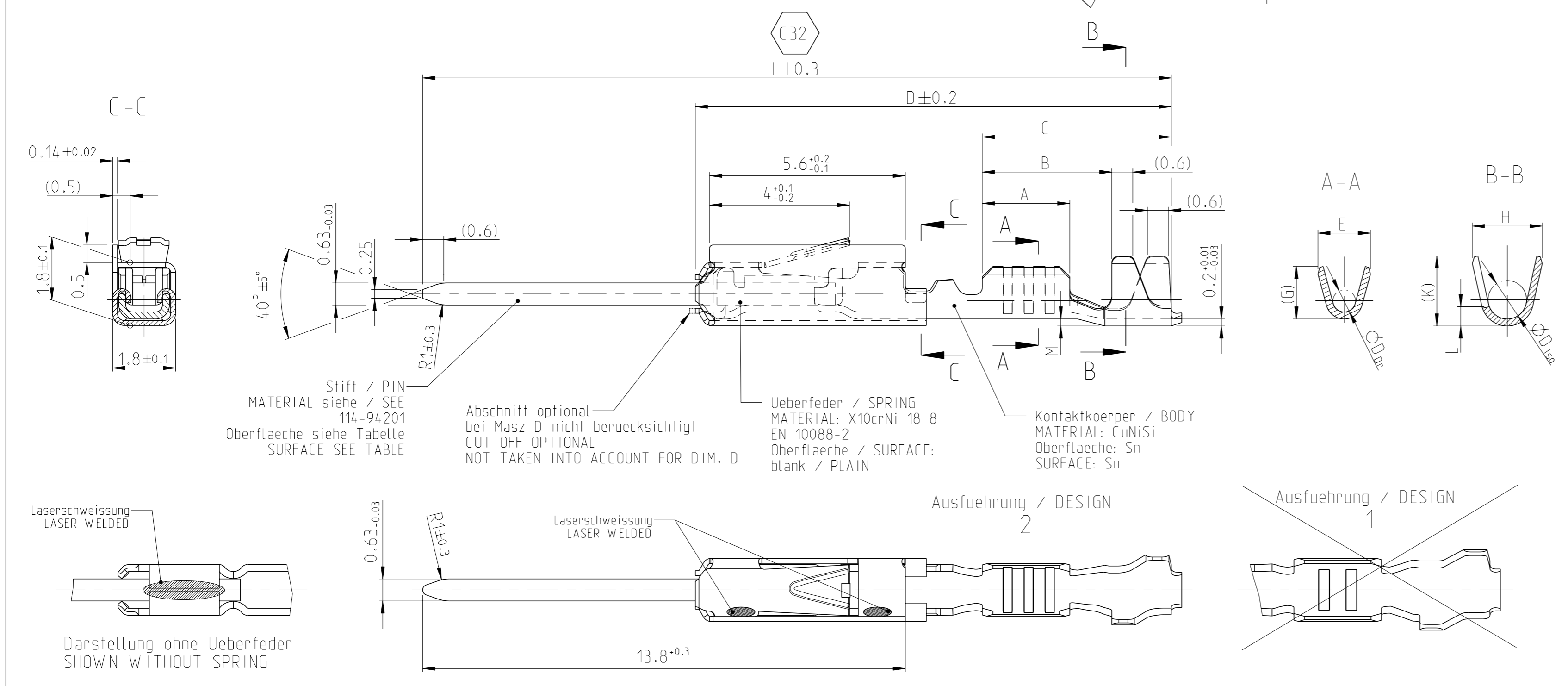
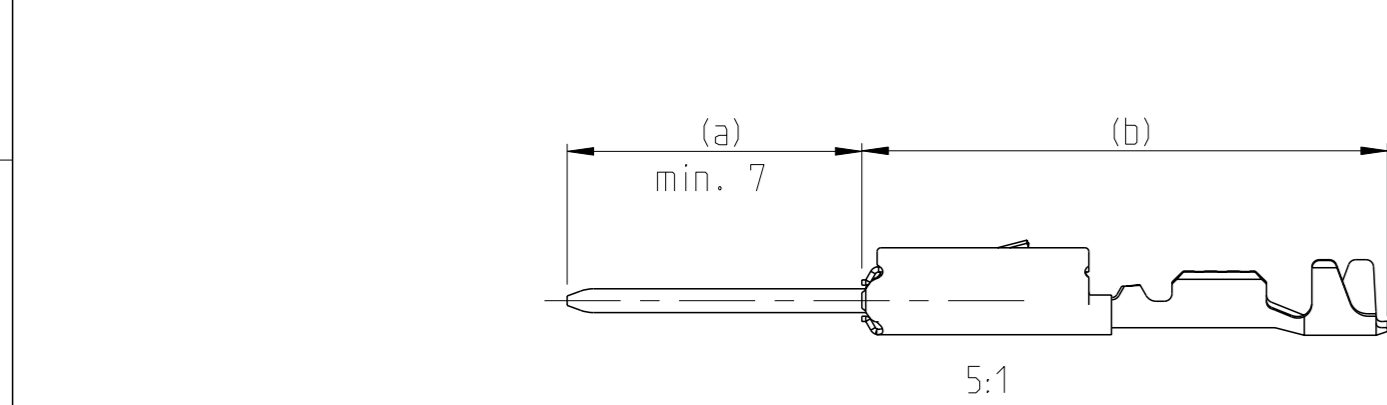


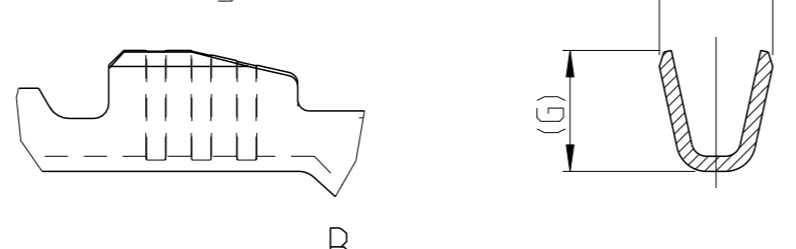
Normale Anwendung
 USUAL APPLICATION



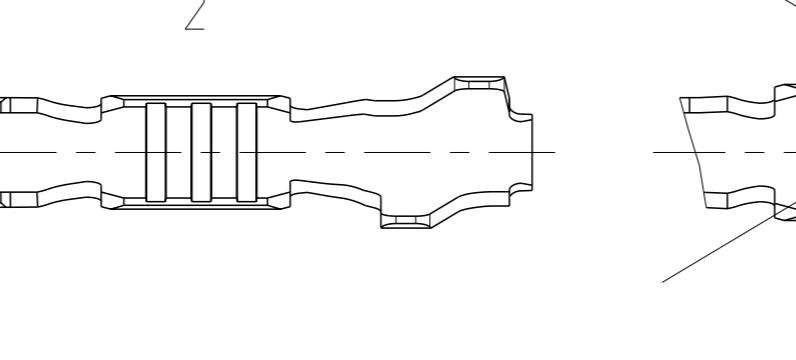
Oberflaeche / FINISH



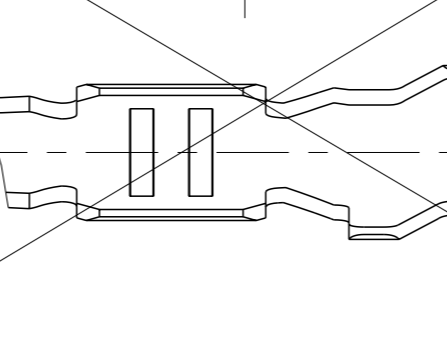
Ausfuehrung / DESIGN 3



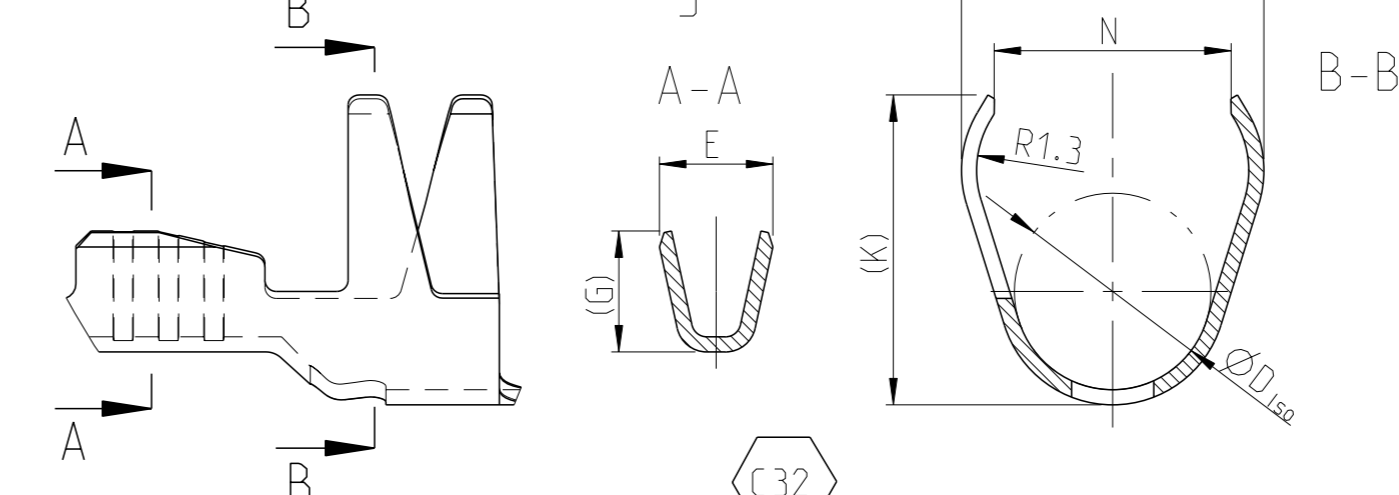
Ausfuehrung / DESIGN 2



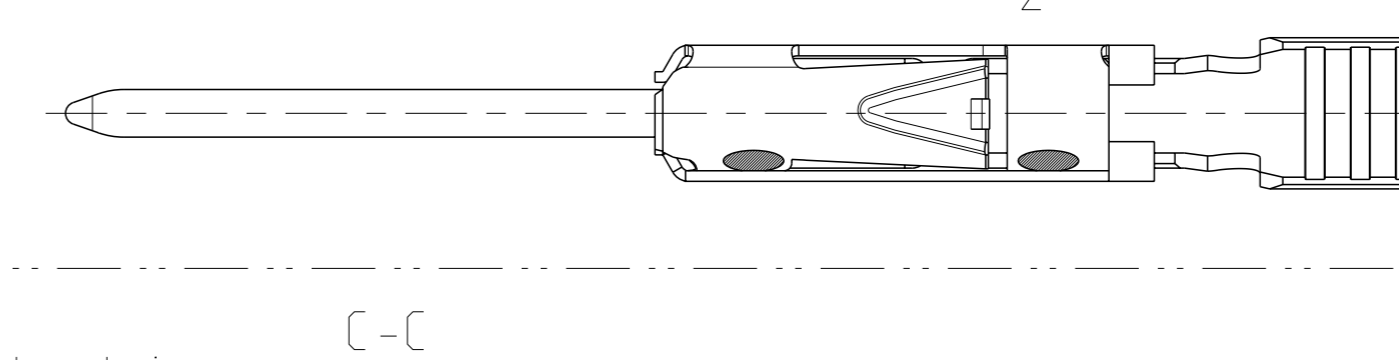
Ausfuehrung / DESIGN 1



Ausfuehrung / DESIGN 3



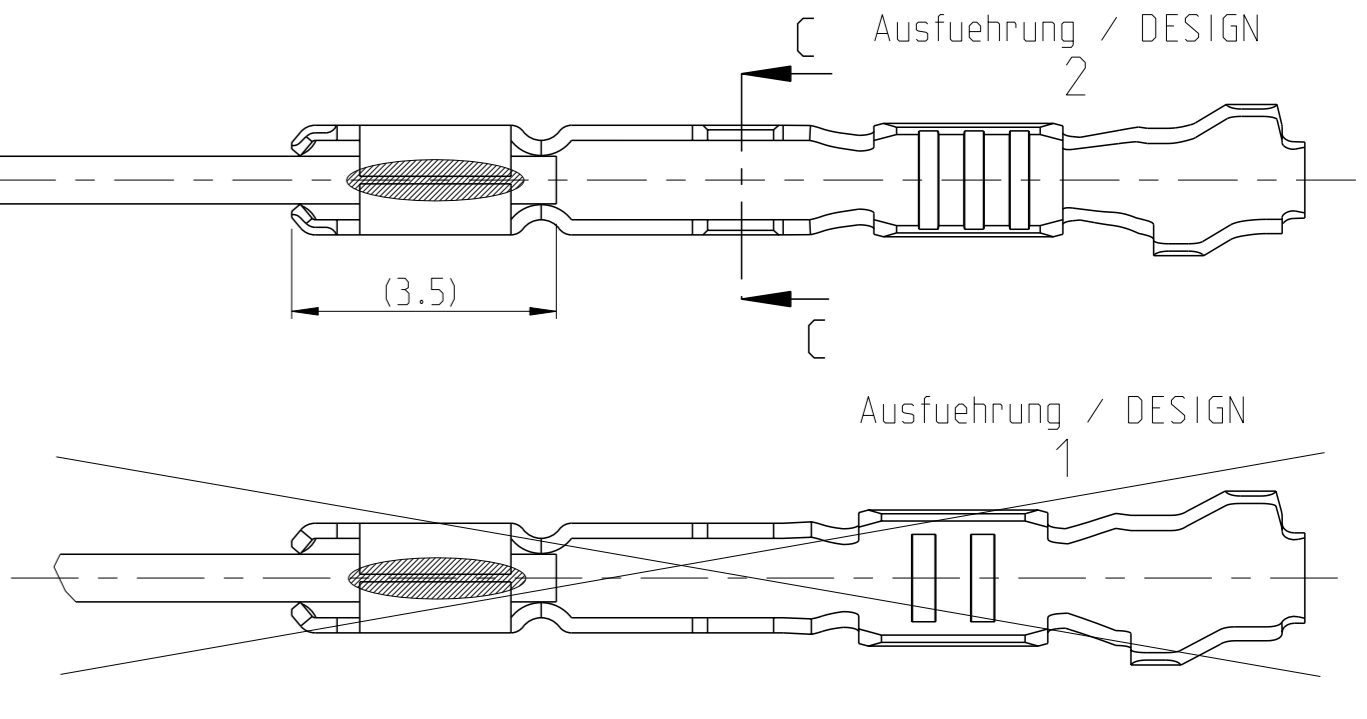
Ausfuehrung / DESIGN 2



Einzeldichtungssystem
 SINGLE WIRE SEAL SYSTEM

REVISONS		DATE	OWN	APVD
C29	See PCN E-20-001102	23JAN2020	MAH.	BERG
C30	See PCN E-20-016678 and PCN-21-110970	20AUG2021	FRAN	BERG
C31	PCN-22-152671	15SEP2022	FRAN	UTZ
C32	PCN-24-203357	22MAR2024	FRAN	RIES

Ausfuehrung ohne Ueberfeder
 nur fuer umspritzte Anwendungen
 WITHOUT SPRING
 ONLY FOR OVERMOLDING



Part No.	Design	Material	Surface	Length	Wire Size	Weight	Notes
5-965908-3	A	Ag	A = 2.8, B = 4.2, C = 6.2, D = 14.3, M = 0.7, L = 21.7	0.50-0.75	0.18	H = 3.5, K = 3.4, L = 1.5, D _{ISO} = 2.4	967067-1 (green)
5-965908-2	F	Au	A = 2.8, B = 4.2, C = 6.2, D = 14.3, M = 0.7, L = 21.7	0.50-0.75	0.18	H = 3.5, K = 3.4, L = 1.5, D _{ISO} = 2.4	967067-1 (green)
5-965908-1	D	Sn	A = 2.8, B = 4.2, C = 6.2, D = 14.3, M = 0.7, L = 21.7	0.50-0.75	0.18	H = 3.5, K = 3.4, L = 1.5, D _{ISO} = 2.4	967067-1 (green)
5-962886-3	A	Ag	A = 2.5, B = 3.9, C = 5.9, D = 14.3, M = 0.7, L = 21.7	0.25-0.35	0.16	H = 3.5, K = 3.4, L = 1.5, D _{ISO} = 2.4	967067-2 (yellow)
5-962886-2	R	Au	A = 2.5, B = 3.9, C = 5.9, D = 14.3, M = 0.7, L = 21.7	0.25-0.35	0.16	H = 3.5, K = 3.4, L = 1.5, D _{ISO} = 2.4	967067-2 (yellow)
5-962886-1	N	Sn	A = 2.5, B = 3.9, C = 5.9, D = 14.3, M = 0.7, L = 21.7	0.25-0.35	0.16	H = 3.5, K = 3.4, L = 1.5, D _{ISO} = 2.4	967067-2 (yellow)
2141830-3	A	Ag	A = 2.5, B = 3.9, C = 5.9, D = 14.3, M = 0.6, L = 21.7	0.13/0.17	0.15	H = 4, K = 3.9, N = 3.1, D _{ISO} = 2.6	967067-2 (yellow)
2141830-2	A	Au	A = 2.5, B = 3.9, C = 5.9, D = 14.3, M = 0.6, L = 21.7	0.13/0.17	0.15	H = 4, K = 3.9, N = 3.1, D _{ISO} = 2.6	967067-2 (yellow)
2141830-1	A	Sn	A = 2.5, B = 3.9, C = 5.9, D = 14.3, M = 0.6, L = 21.7	0.13/0.17	0.15	H = 4, K = 3.9, N = 3.1, D _{ISO} = 2.6	967067-2 (yellow)
6-963716-1	A	Au	A = 2.8, B = 3.8, C = 5.6, D = 13.65, M = 0.2, L = 21.5	0.50-0.75	0.17	H = 2.7, K = 2.9, L = 0.7, D _{ISO} = 1.6	967067-1 (green)
6-963716-2	A	Sn	A = 2.8, B = 3.8, C = 5.6, D = 13.65, M = 0.2, L = 21.5	0.50-0.75	0.17	H = 2.7, K = 2.9, L = 0.7, D _{ISO} = 1.6	967067-1 (green)
5-963716-3	A	Ag	A = 2.5, B = 2.6, C = 5.6, D = 13.65, M = 0.2, L = 21.5	0.25-0.35	0.16	H = 2.3, K = 2.3, L = 0.6, D _{ISO} = 1.4	967067-1 (green)
5-963716-2	Z	Sn	A = 2.5, B = 2.6, C = 5.6, D = 13.65, M = 0.2, L = 21.5	0.25-0.35	0.16	H = 2.3, K = 2.3, L = 0.6, D _{ISO} = 1.4	967067-1 (green)
5-963716-1	W	Au	A = 2.5, B = 2.6, C = 5.6, D = 13.65, M = 0.2, L = 21.5	0.25-0.35	0.16	H = 2.3, K = 2.3, L = 0.6, D _{ISO} = 1.4	967067-1 (green)
6-928918-3	A	Ag	A = 2.5, B = 2.6, C = 5.6, D = 13.65, M = 0.2, L = 21.5	0.25-0.35	0.16	H = 2.3, K = 2.3, L = 0.6, D _{ISO} = 1.4	967067-1 (green)
6-928918-2	Z	Au	A = 2.5, B = 2.6, C = 5.6, D = 13.65, M = 0.2, L = 21.5	0.25-0.35	0.16	H = 2.3, K = 2.3, L = 0.6, D _{ISO} = 1.4	967067-1 (green)
6-928918-1	W	Sn	A = 2.5, B = 2.6, C = 5.6, D = 13.65, M = 0.2, L = 21.5	0.25-0.35	0.16	H = 2.3, K = 2.3, L = 0.6, D _{ISO} = 1.4	967067-1 (green)
5-928918-2	A	Ag	A = 2.5, B = 2.6, C = 5.6, D = 13.65, M = 0.2, L = 21.5	0.25-0.35	0.16	H = 2.3, K = 2.3, L = 0.6, D _{ISO} = 1.4	967067-1 (green)
5-928918-1	W	Au	A = 2.5, B = 2.6, C = 5.6, D = 13.65, M = 0.2, L = 21.5	0.25-0.35	0.16	H = 2.3, K = 2.3, L = 0.6, D _{ISO} = 1.4	967067-1 (green)
2141828-3	A	Ag	A = 2.5, B = 3.7, C = 5.4, D = 13.65, M = 0, L = 21.5	0.13/0.17	0.15	H = 2, K = 1.9, D _{ISO} = 1.1	967067-1 (green)
2141828-2	A	Au	A = 2.5, B = 3.7, C = 5.4, D = 13.65, M = 0, L = 21.5	0.13/0.17	0.15	H = 2, K = 1.9, D _{ISO} = 1.1	967067-1 (green)
2141828-1	A	Sn	A = 2.5, B = 3.7, C = 5.4, D = 13.65, M = 0, L = 21.5	0.13/0.17	0.15	H = 2, K = 1.9, D _{ISO} = 1.1	967067-1 (green)
1355719-3	A	Ag	A = 2.5, B = 3.7, C = 5.4, D = 13.65, M = 0, L = 21.5	0.08-0.22	0.15	H = 2, K = 2, D _{ISO} = 1.1	967067-1 (green)
1355719-2	C	Au	A = 2.5, B = 3.7, C = 5.4, D = 13.65, M = 0, L = 21.5	0.08-0.22	0.15	H = 2, K = 2, D _{ISO} = 1.1	967067-1 (green)
1355719-1	C	Sn	A = 2.5, B = 3.7, C = 5.4, D = 13.65, M = 0, L = 21.5	0.08-0.22	0.15	H = 2, K = 2, D _{ISO} = 1.1	967067-1 (green)

NOTES

- Datumcode (Woche/Jahr z.B. KW 38/Jahr2009) und TE-Revision (z.B. Rev. A) DATE CODE (WEEK/YEAR E.G. WEEK NUMBER 38/YEAR2009) AND TE REVISION (E.G. REV. A)
- Passend zu Buchsenkontakt siehe Zeichnung 929454 SUITABLE FOR SOCKET CONTACT SEE DRAWING 929454
- Einzelheiten der Ausfuehrung bleiben dem Hersteller ueberlassen DETAILS OF DESIGN ARE LEFT TO MANUFACTURER
- Nur fuer FLR-Leitung nach DIN 72551 Teil 6 FOR FLR-CONDUCTOR ACCORDING TO DIN 72551-6 ONLY
- nicht fuer Neuanwendung NOT FOR NEW APPLICATION
- zugverstaerkte Leitung nach LV 112-4 REINFORCED WIRE ACCORDING LV 112-4
- Bei doppelt fallenden Werkzeugen wird die erste Ueberfeder mit einer Kennzeichnung "-" versehen WITH DOUBLE OUT DIES THE FIRST SPRING WILL BE PROVIDED WITH AN INDICATION "-"
- Varianten von Design1 werden durch die entsprechenden Versionen von Design2 ersetzt VARIANTS OF DESIGN1 ARE SUPERSEDED BY CORRESPONDING VERSIONS OF DESIGN2

Bestell-Nr. Ausfuehrung ORDER NO. DESIGN 2	Bestell-Nr. Ausfuehrung ORDER NO. DESIGN 3	Rev.	Bestell-Nr. Ausfuehrung ORDER NO. DESIGN 1	Rev.	Ueberfeder vorhanden SPRING AVAILABLE	VERSION	DGB Wire Size Range mm ²	Oberflaeche SURFACE	Laenge LENGTH mm	Drahtcrimp WIRE CRIMP mm	Iso-crimp INSU-CRIMP mm	Gewicht WEIGHT g	Verarbeitung Spez. APPLICATION SPEC.	DGB Wire Size Range mm ²	Isolations Ø INSULATION DIA. mm	fuer Kammer Ø3.45 FOR CAVITY DIA. 3.45 mm	Blindstopfen RUBBER PLUG	fuer Kammer Ø4 FOR CAVITY DIA. 4 mm	Blindstopfen RUBBER PLUG
zugehoerige Einzeldichtung / SUITABLE SINGLE WIRE SEAL																			

THIS DRAWING IS A CONTROLLED DOCUMENT. **TE** TE Connectivity

OWNER: S. Garcia 06JAN1999
 CHK: R. Jetter 06JAN1999
 APVD: M. Bleicher 13AUG2003

NAME: MQS
 Tabellenzzeichnung Stiftkontakt
 TABLE PIN CONTACT

SIZE: 114-18030
 APPLICATION SPEC

WEIGHT: 114-18021 / -18025

CUSTOMER DRAWING

SCALE: 10:1 SHEET: 1 of 1 REV: C32