

4

3

2

1

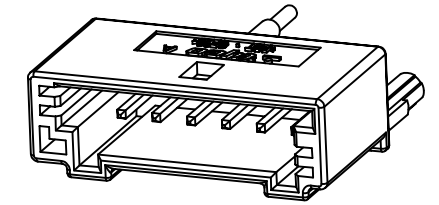
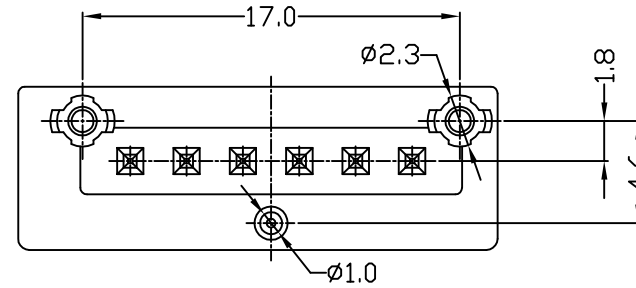
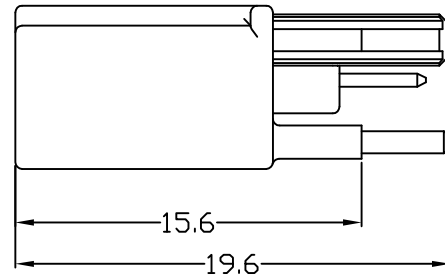
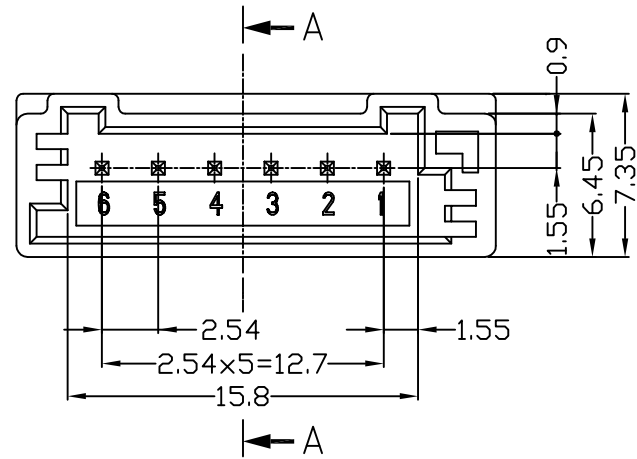
THIS DRAWING IS UNPUBLISHED.

RELEASED FOR PUBLICATION

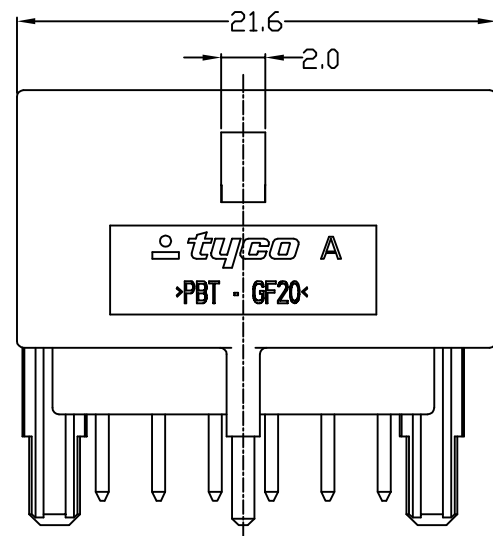
© COPYRIGHT BY TYCO ELECTRONICS CORPORATION. ALL RIGHTS RESERVED.

REVISIONS

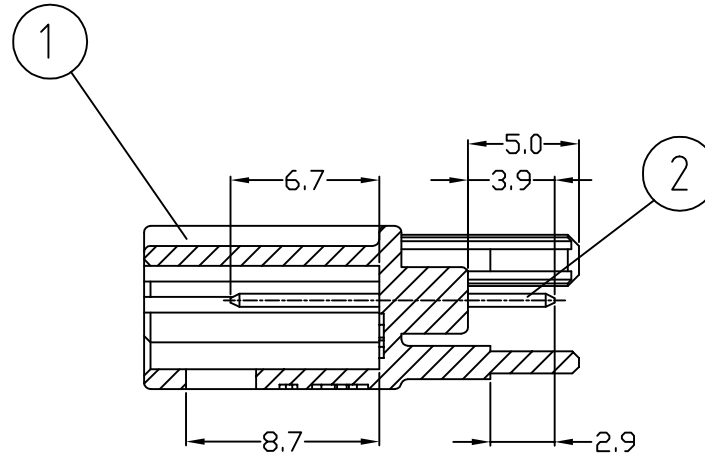
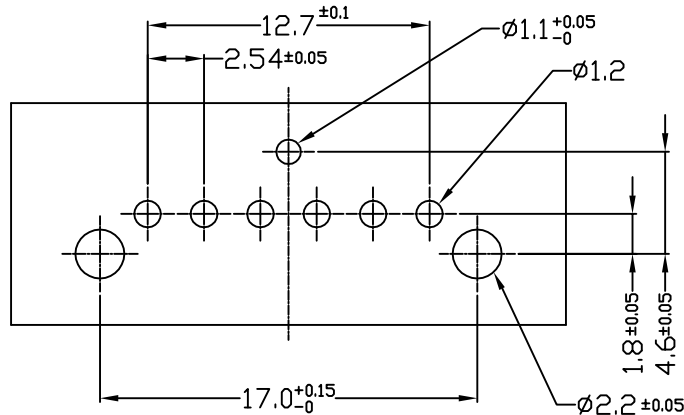
P	LTR	DESCRIPTION	DATE	DWN	APVD
	D	RELEASED (FC00-0117-03)	12.AUG.'03	YD	CS
	A	REVISED (ECR-07-030400)	18.DEC.'07	YC	JK
	A1	REVISED (ECR-16-006400)	03.MAY.'16	JM	JW



3D - VIEW



P.C.B LAYOUT-REF



SECTION A-A

NOTE.

- 1. PULL-OUT FORCE OF THE CONTACT : Min 25N WHEN V = 25mm/min.
- 2. BE MATED WITH PLUG HSG (P/N : 936289) SMOOTHLY.

NO	COLOR/FINISH	MATERIAL	DESCRIPTION	PART NO.	Q'TY
2	TIN	PHOSPHOR BRONZE	063 SQUARE CONTACT PIN FOR HLLD	1-368314-1	6
	TIN	PHOSPHOR BRONZE	063 SQUARE CONTACT PIN FOR HLLD	368314-1	6
1	BROWN	PBT GF 20	MQS. PIN HEADER, 6Pos.	936641-4	1
	GRAY	PBT GF 20	MQS. PIN HEADER, 6Pos.	936641-3	1
	BLACK	PBT GF 20	MQS. PIN HEADER, 6Pos.	936641-2	1

THIS DRAWING IS A CONTROLLED DOCUMENT FOR TYCO ELECTRONICS CORPORATION IT IS SUBJECT TO CHANGE AND THE CONTROLLING ENGINEERING ORGANIZATION SHOULD BE CONTACTED FOR THE LATEST REVISION.

DIMENSIONS: MM		TOLERANCES UNLESS OTHERWISE SPECIFIED: 0 <XX<10 ± 0.2 10 <XX<30 ± 0.25 30 <XX ± 0.3 ANGLES ± 3°		DWN JM JEON CHK -		APVD JW JUNG PRODUCT SPEC -		NAME MQS, PIN HEADER ASS'Y 6Pos.(V-TYPE)	
MATERIAL SEE TABLE		FINISH SEE TABLE		WEIGHT -		SIZE A3		CAGE CODE 00779	
CUSTOMER DRAWING				DRAWING NO 936640		RESTRICTED TO -		SCALE 3:1 SHEET 1 OF 1 REV A1	

