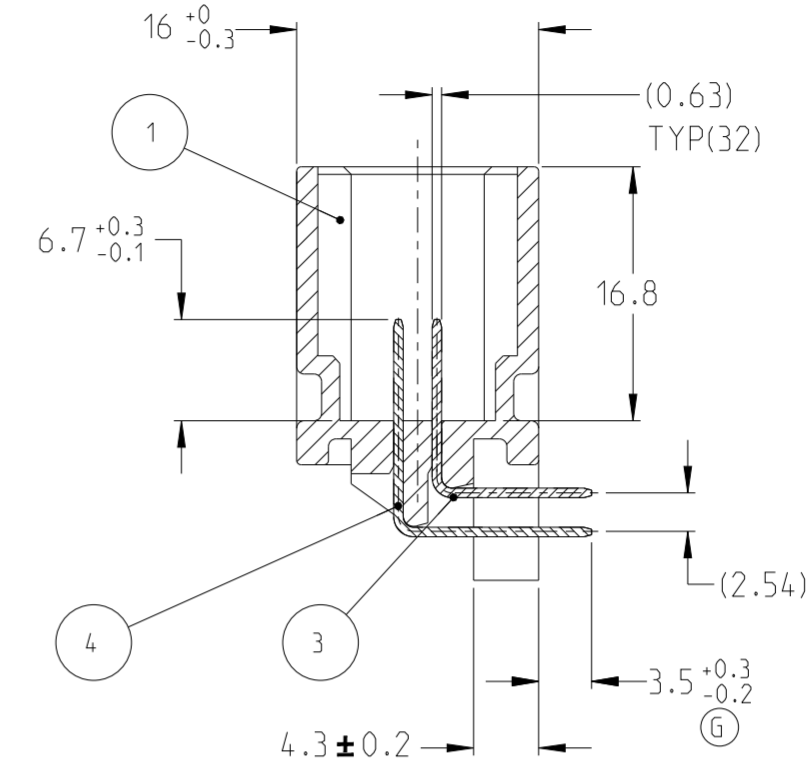
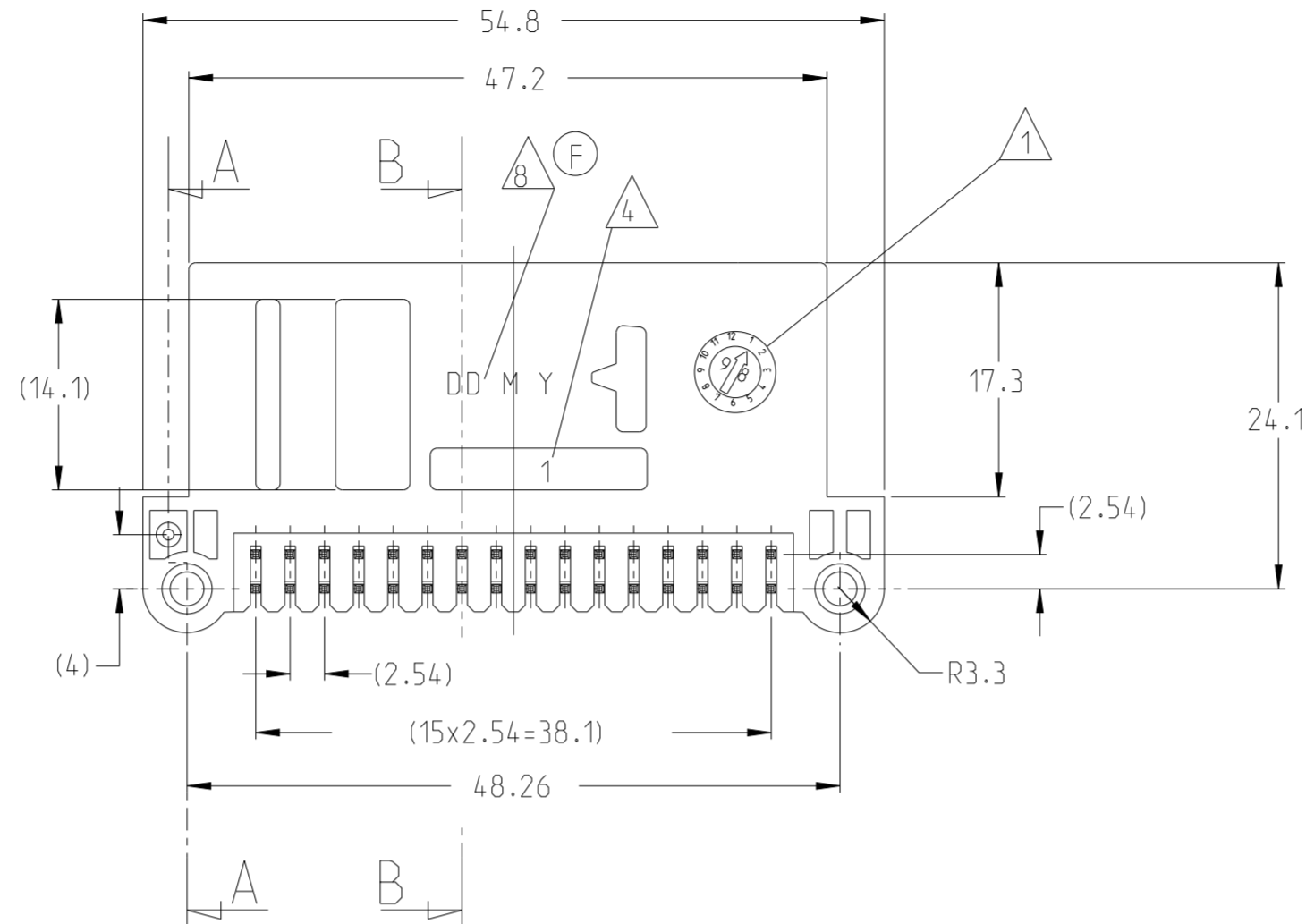
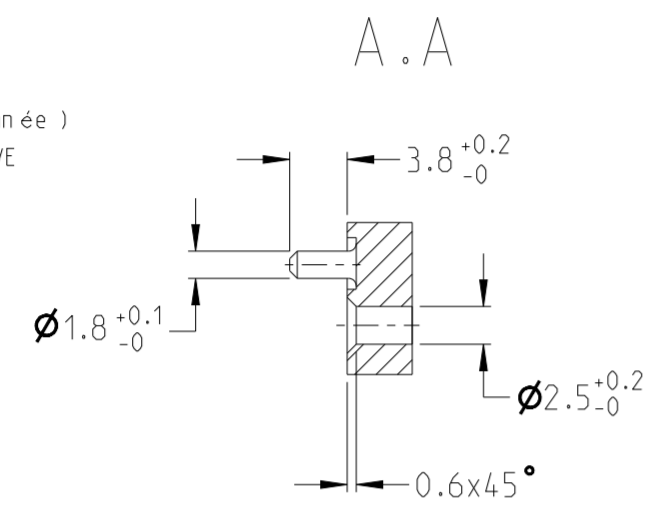


REVISIONS					
P	LTR	DESCRIPTION	DATE	DWN	APVD
J		UPDATE THE DRAWING AND ADD NEW P/N 1-953486-1	03MAR2020	RSP	J.L
K		PN 953486-6 OBSOLETED	23AUG2021	MN	GP
L		PN 953486-3, -4, -5, 2-953486-1,-2 OBSOLETED	13APR2022	MN	GP

- NOTES:
- 1 DATE DE MOULAGE
 - 2 LOGO DE TE
 - 3 REFERENCE DU PRODUIT ASSEMBLE
 - 4 N° D'EMPREINTE DU MOULE
 - 5 REVISION DU MOULE
 - 6 MATIERE
 - 7 CONTRE-PARTIE:
CONNECTEUR REF.929053
 - 8 DATE D'ASSEMBLAGE
(DD = Jour ; M = Mois ; Y = année)
 - 9 ZONE DE MARQUAGE ALTERNATIVE
DE LA DATE D'ASSEMBLAGE.

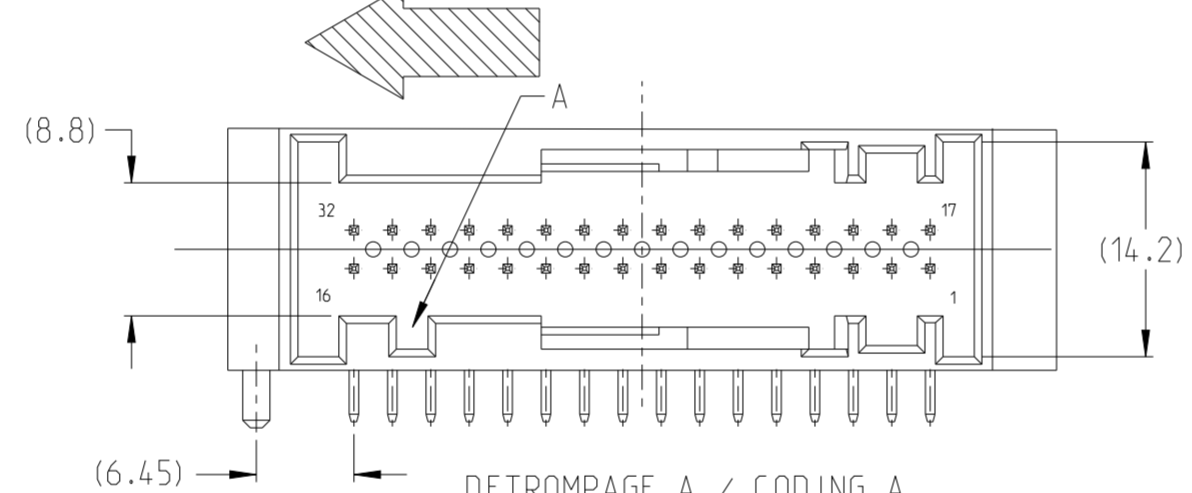
- J 10 PLATEAU-CONDITIONNEMENT POUR OPERATION MANUELLE
CONFORMEMENT A V-SPEC. V953486
- J 11 PLATEAU-CONDITIONNEMENT POUR OPERATION AUTOMATIQUE
CONFORMEMENT A V-SPEC. V953486



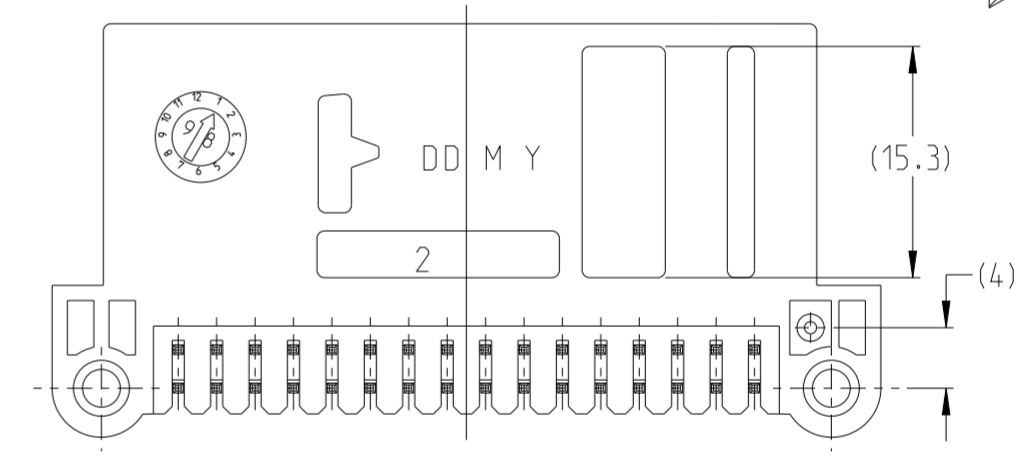
- NOTES:
- 1 HOUSING DATE CODE
 - 2 TE LOGO
 - 3 ASSY PART NUMBER
 - 4 CAVITY MARKING
 - 5 REVISION STATUS

A	FOR PN953486-1
-	FOR PN953486-2
 - 6 MATERIAL REFERENCE
 - 7 MATING PART:
CONNECTOR PN 929053
 - 8 ASSY DATE CODE
(DD = Day ; M = Month ; Y = Year)
 - 9 ALTERNATIVE AREA FOR ASSY DATE MARKING.
 - J 10 TRAY-PACKAGING FOR MANUAL OPERATION
ACC. TO V-SPEC. V953486
 - J 11 TRAY-PACKAGING FOR AUTOMATIC
OPERATION ACC. TO V-SPEC. V953486

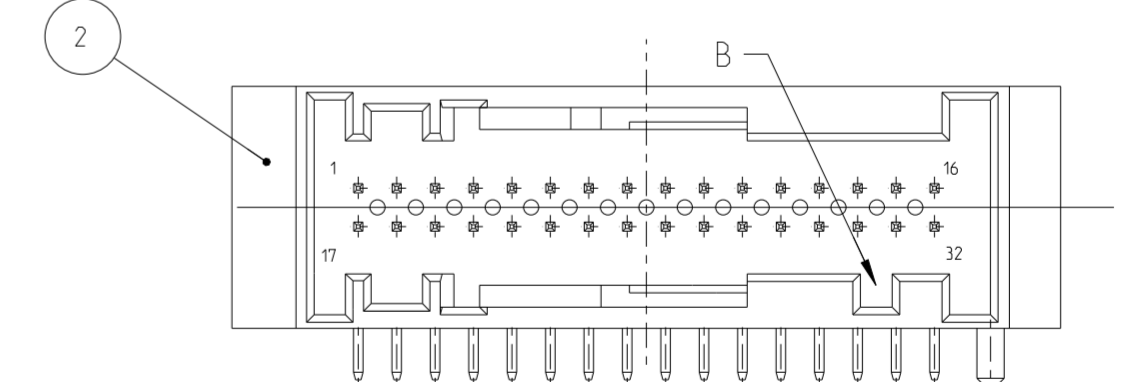
SORTIE FAISCEAU / WIRE EXIT



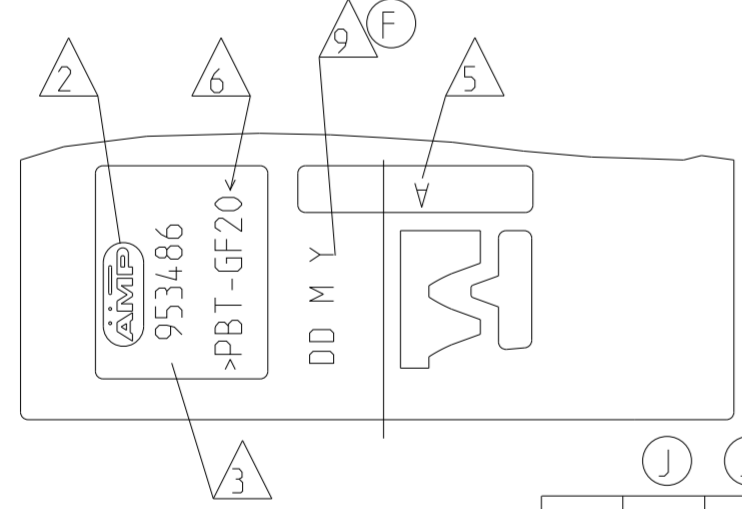
SORTIE FAISCEAU / WIRE EXIT



DETROMPAGE A / CODING A
COULEUR: GRIS / COLOUR: GREY
953486-1

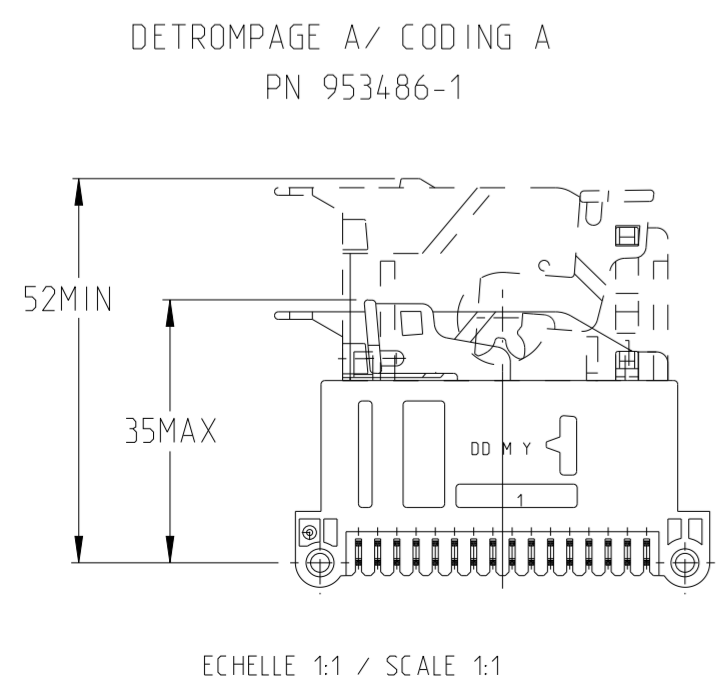


DETROMPAGE B / CODING B
COULEUR: BLEU / COLOUR: BLUE
953486-2



ASSY. PN	J 10	J 10	J 11
953486-2			
953486-1			
1-953486-1			

QTY	MATERIAL	DESIGNATION / NAME	COULEUR / COLOR	ITEM
16	CuSn6	MQS LONG CONTACT	POST ETAME / POST TIN	4
16	CuSn6	MQS SHORT CONTACT	POST ETAME / POST TIN	3
1	PBT GF20	BOITIER / HOUSING	BLEU / BLUE	2
-	PBT GF20	BOITIER / HOUSING	GRIS / GREY	1



THIS DRAWING IS A CONTROLLED DOCUMENT.

DWN	J.LAQUERBE	01JUL98
CHK	J.LAQUERBE	18JUN99
APVD	J.J.REVI	18JUN99

PRODUCT SPEC: 108-15211
APPLICATION SPEC: -

WEIGHT: 10.7 g

CUSTOMER DRAWING

SCALE: 2:1 SHEET: 1 OF 7 REV: L

STE TE Connectivity

NAME: EMBASE 32V MQS COUDEE AVEC OREILLES
32W MQS RIGHT ANGLE HEADER WITH EARS

SIZE: A2 CAGE CODE: 00779 DRAWING NO: 953486 RESTRICTED TO: -

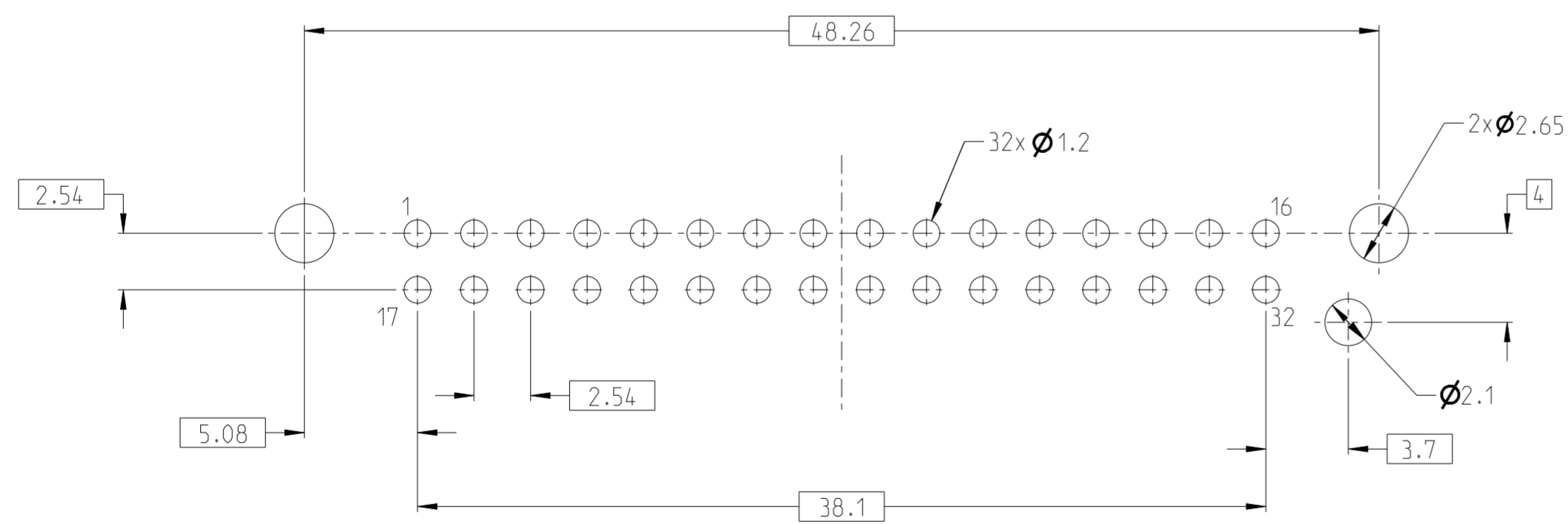
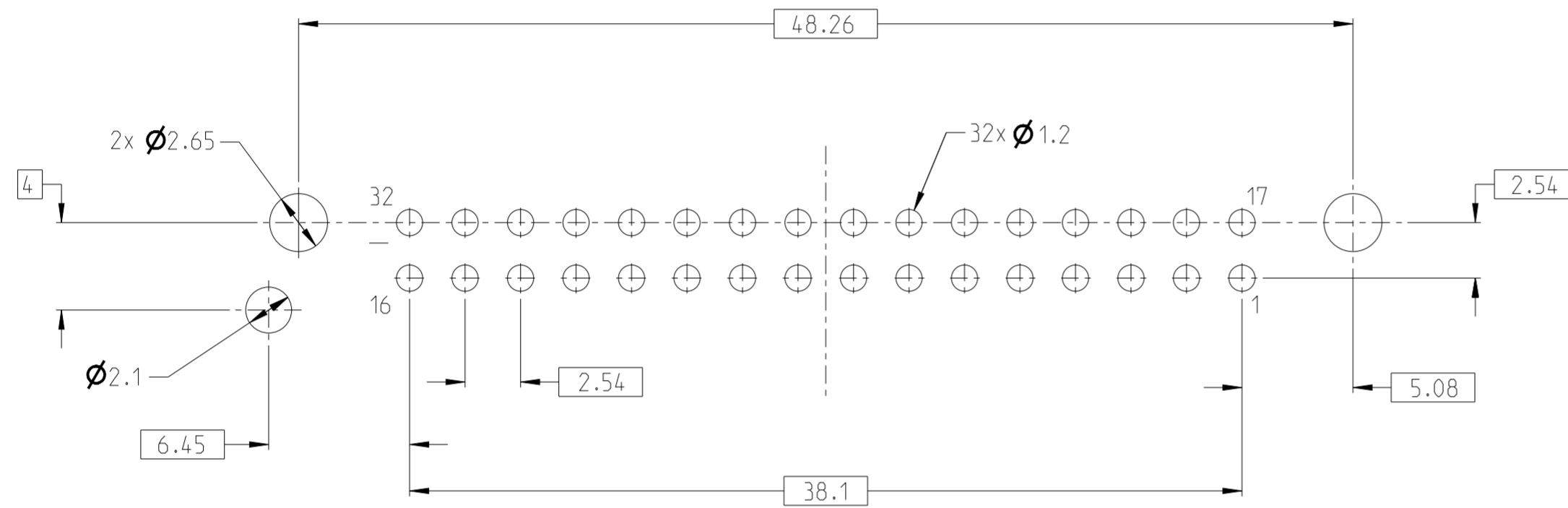
P	LTR	DESCRIPTION	DATE	DWN	APVD
-		SEE SHEET 1	-	-	-

RECOMMANDATION IMPLANTATION CI

RECOMMENDED PCB LAYOUT

VUE DE DESSUS / VIEW FROM HEADER MOUNTING SIDE

EPAISSEUR CI / PCB THICKNESS : 1.6 ±0.15



COULEUR: GRIS / COLOUR: GREY

953486-1

2-953486-1

COULEUR: BLEU / COLOUR: BLUE

953486-4

OBSELETE

COULEUR: BLEU / COLOUR: BLUE

953486-2

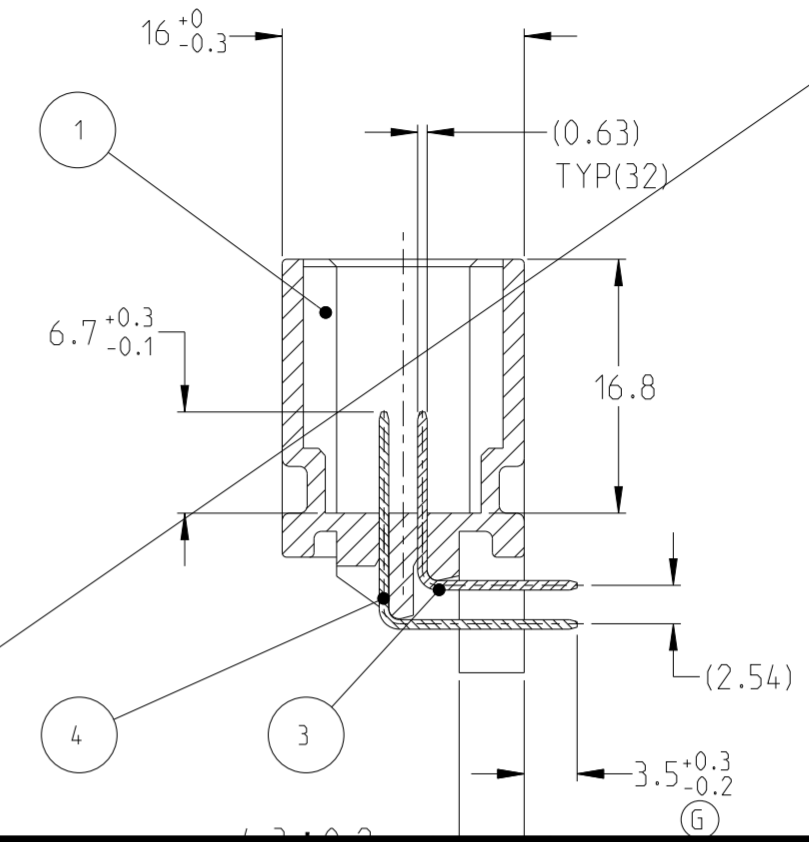
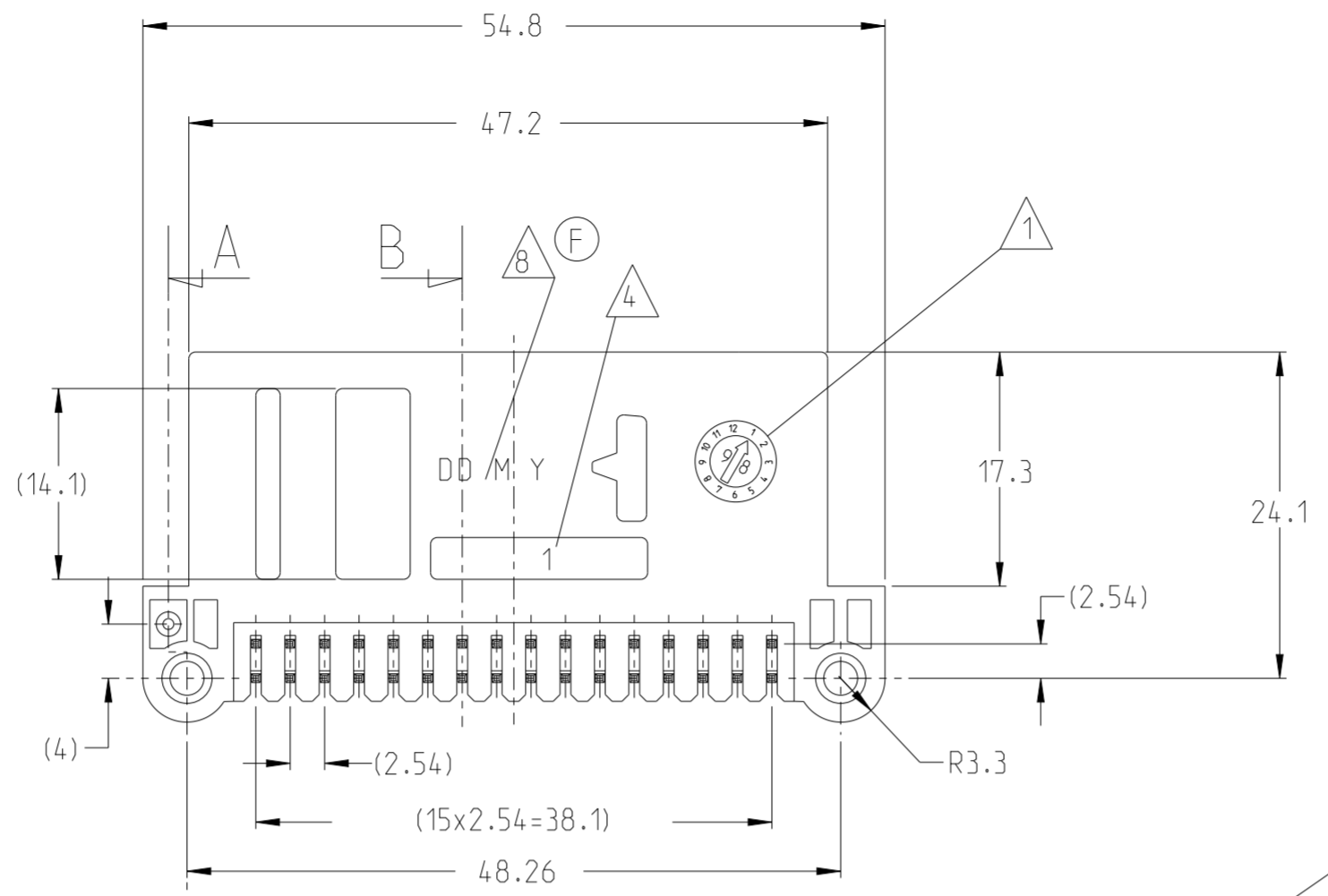
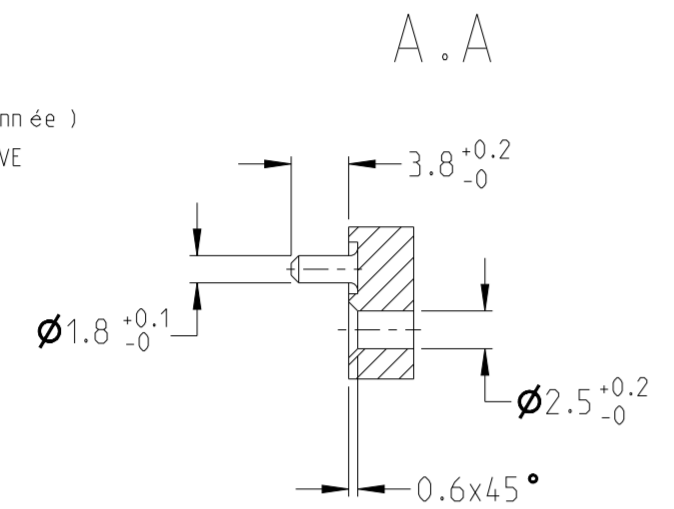
2-953486-2

THIS DRAWING IS A CONTROLLED DOCUMENT.		DWN J.LAQUERBE 01JUL98	STE TE Connectivity	
		CHK J.LAQUERBE 18JUN99		
DIMENSIONS: mm	TOLERANCES UNLESS OTHERWISE SPECIFIED:	APVD J.LAQUERBE 18JUN99	NAME EMBASE 32V MQS COUDEE AVEC OREILLES 32W MQS RIGHT ANGLE HEADER WITH EARS	
	0-PLC ± 1-PLC ±0.3 2-PLC ± 3-PLC ± 4-PLC ±	PRODUCT SPEC 108-15211	SIZE A2	CAGE CODE 00779
MATERIAL -	ANGLES ±5° FINISH -	APPLICATION SPEC -	DRAWING NO C-953486	RESTRICTED TO -
		WEIGHT 10.7 g	SCALE 2:1	SHEET 2 OF 7
		CUSTOMER DRAWING	REV L	

P	LTR	DESCRIPTION	DATE	DWN	APVD
-	-	SEE SHEET 1	-	-	-

NOTES:

- 1 DATE DE MOULAGE
- 2 LOGO DE TE
- 3 REFERENCE DU PRODUIT ASSEMBLE
- 4 N° D'EMPREINTE DU MOULE
- 5 REVISION DU MOULE
- 6 MATIERE
- 7 CONTRE-PARTIE:
CONNECTEUR REF.929053
- 8 DATE D'ASSEMBLAGE
(DD = Jour ; M = Mois ; Y = année)
- 9 ZONE DE MARQUAGE ALTERNATIVE
DE LA DATE D'ASSEMBLAGE.

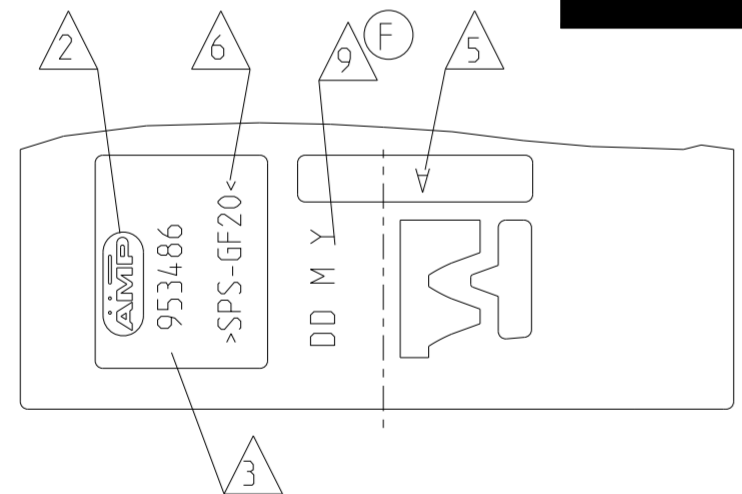


NOTES:

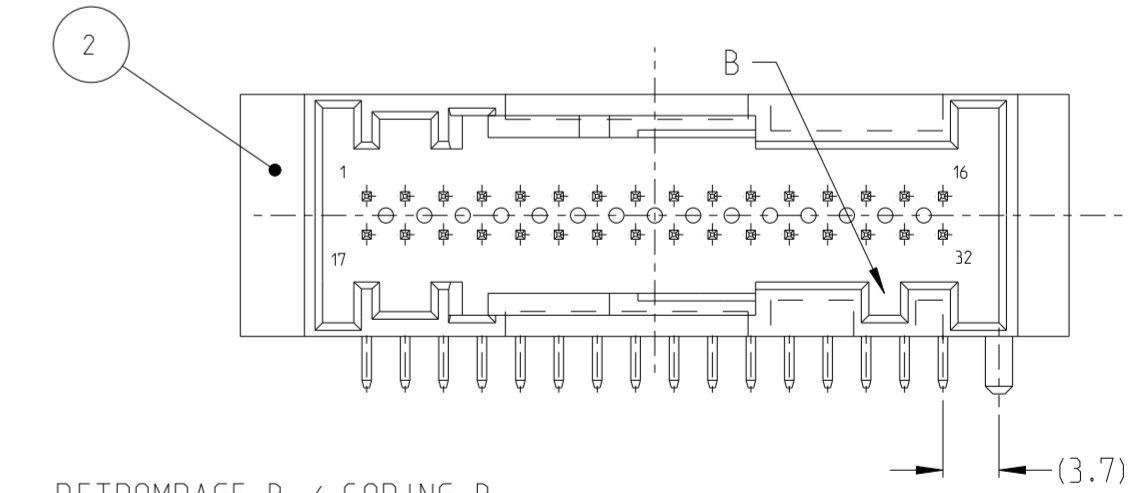
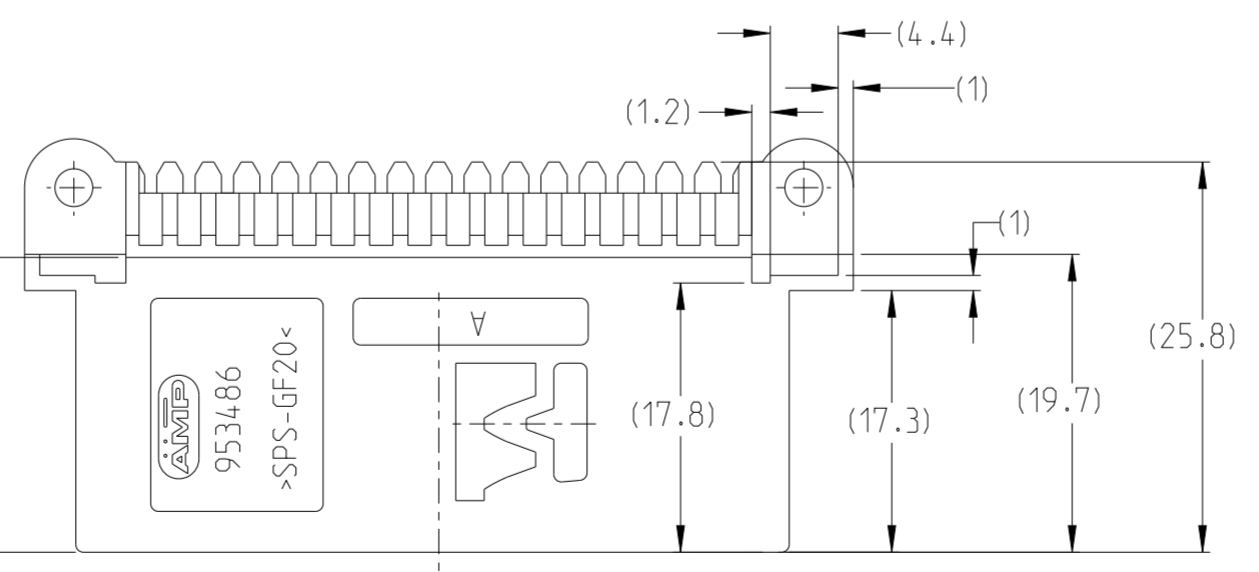
- 1 HOUSING DATE CODE
- 2 TE LOGO
- 3 ASSY PART NUMBER
- 4 CAVITY MARKING
- 5 REVISION STATUS
- 6 MATERIAL REFERENCE
- 7 MATING PART:
CONNECTOR PN 929053
- 8 ASSY DATE CODE
(DD = Day ; M = Month ; Y = Year)
- 9 ALTERNATIVE AREA FOR ASSY DATE MARKING.

A FOR PN 2-953486-1
- FOR PN 2-953486-2

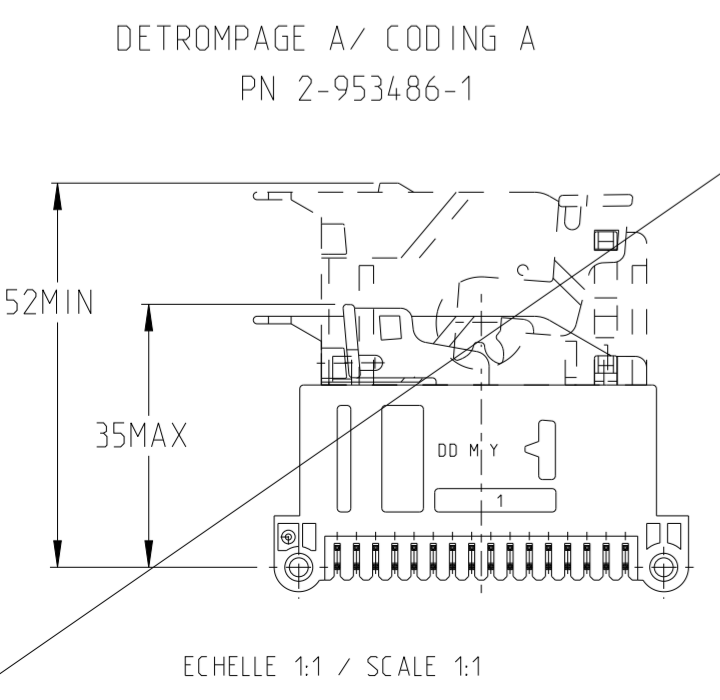
OBSOLETE



DETROMPAGE A / CODING A
COULEUR: GRIS / COLOUR: GREY
2-953486-1



DETROMPAGE B / CODING B
COULEUR: BLEU / COLOUR: BLUE
2-953486-2



DETROMPAGE A / CODING A
PN 2-953486-1

QTY	MATERIAL	DESIGNATION / NAME	COULEUR / COLOR	ITEM
16	CuSn6	MQS LONG CONTACT	POST ETAME / POST TIN	4
16	CuSn6	MQS SHORT CONTACT	POST ETAME / POST TIN	3
1	SPS GF20	BOITIER / HOUSING	BLEU / BLUE	2
-	SPS GF20	BOITIER / HOUSING	GRIS / GREY	1

THIS DRAWING IS A CONTROLLED DOCUMENT.

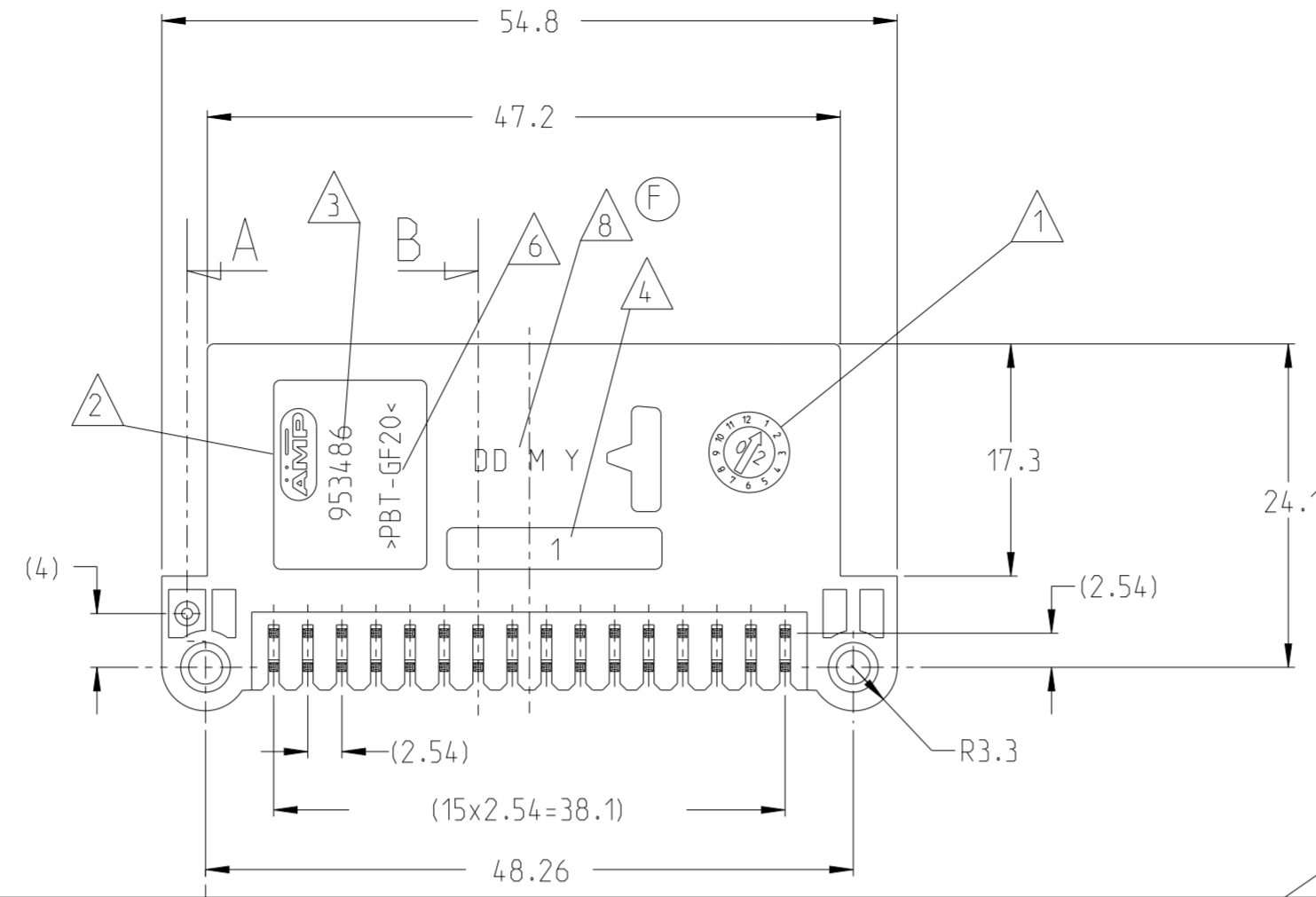
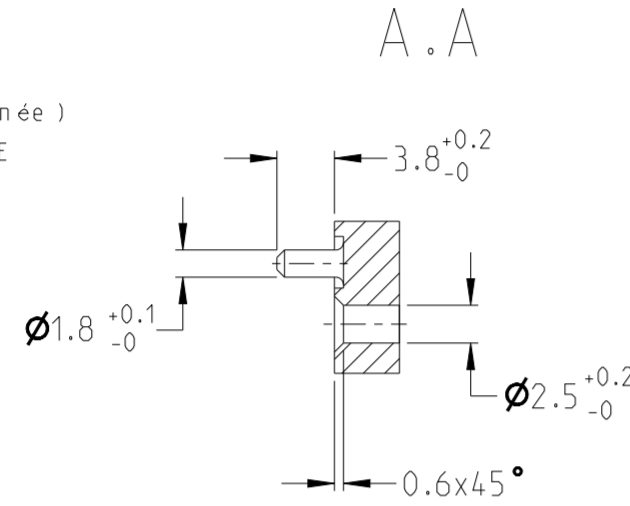
DIMENSIONS:	TOLERANCES UNLESS OTHERWISE SPECIFIED:
mm	0-PLC ±
	1-PLC ±0.3
	2-PLC ±
	3-PLC ±
	4-PLC ±
ANGLES	±5°
FINISH	-

DWN	JJ LAQUERBE	01JUL98	TE Connectivity
CHK	JJ LAQUERBE	18JUN99	
APVD	JJ REVI	18JUN99	
PRODUCT SPEC	108-15211		
APPLICATION SPEC	-	-	NAME EMBASE 32V MQS COUDEE AVEC OREILLES 32W MQS RIGHT ANGLE HEADER WITH EARS
WEIGHT	10.7 g	SCALE	2:1
CUSTOMER DRAWING	A2	CAGE CODE	00779
		DRAWING NO	C-953486
		RESTRICTED TO	-
		SHEET	3 OF 7
		REV	L

P	LTR	DESCRIPTION	DATE	DWN	APVD
-	-	SEE SHEET 1	-	-	-

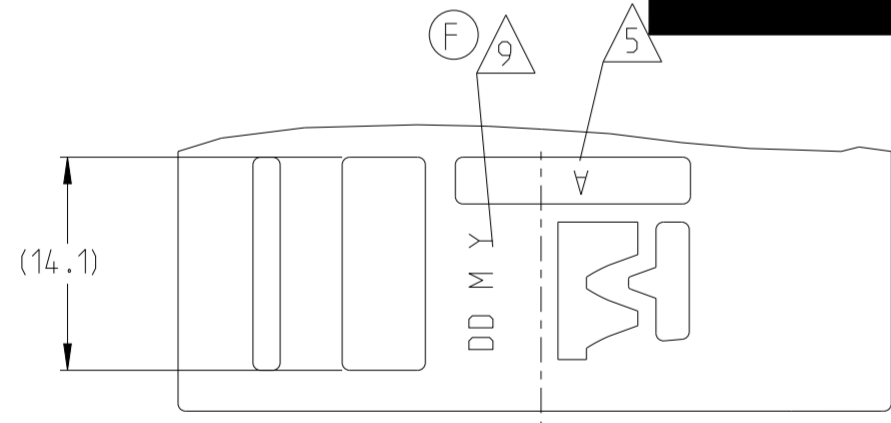
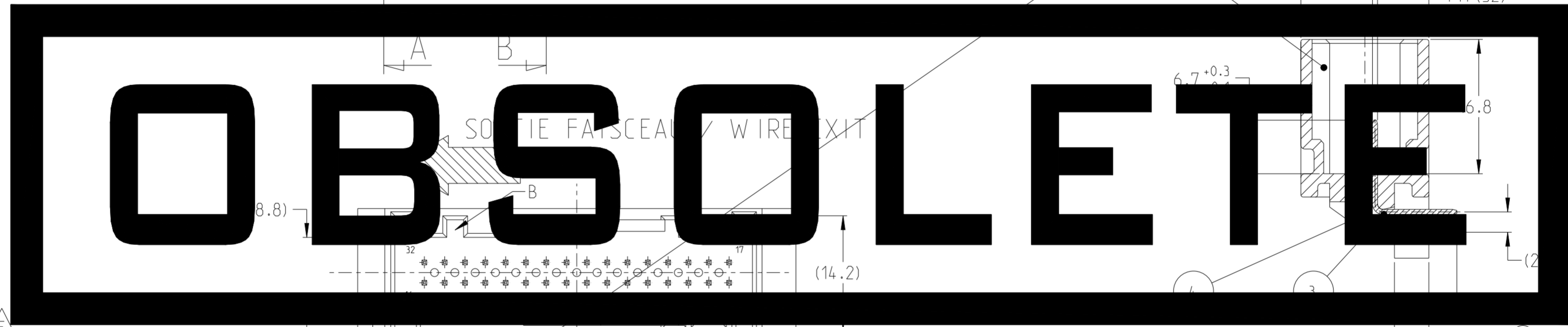
NOTES:

- 1 DATE DE MOULAGE
- 2 LOGO DE TE
- 3 REFERENCE DU PRODUIT ASSEMBLE
- 4 N° D'EMPREINTE DU MOULE
- 5 REVISION DU MOULE
- 6 MATIERE
- 7 CONTRE-PARTIE:
CONNECTEUR REF. 1326140
- 8 DATE D'ASSEMBLAGE
(DD = Jour ; M = Mois ; Y = année)
- 9 ZONE DE MARQUAGE ALTERNATIVE
DE LA DATE D'ASSEMBLAGE.

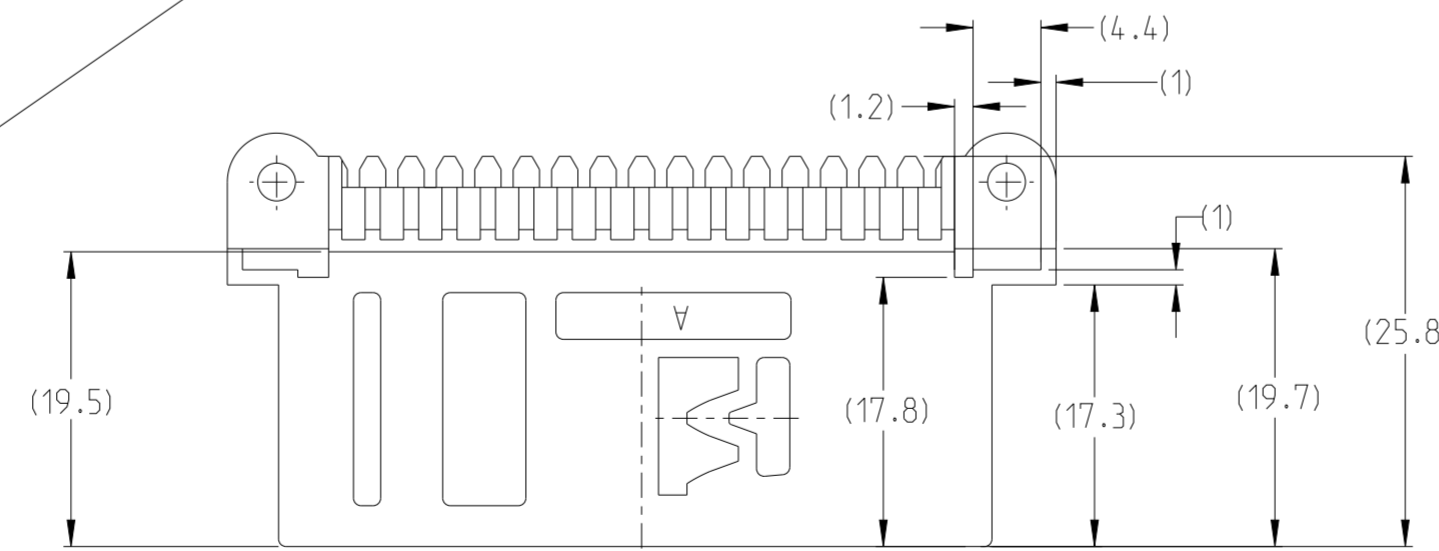


NOTES:

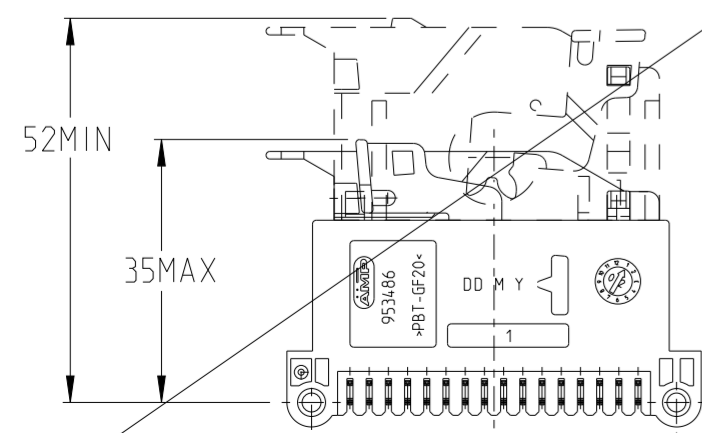
- 1 HOUSING DATE CODE
- 2 TE LOGO
- 3 ASSY PART NUMBER
- 4 CAVITY MARKING
- 5 REVISION STATUS [A]
- 6 MATERIAL REFERENCE
- 7 MATING PART:
CONNECTOR PN 1326140
- 8 ASSY DATE CODE
(DD = Day ; M = Month ; Y = Year)
- 9 ALTERNATIVE AREA FOR ASSY DATE MARKING.



SOUSIE FAITSCEAU / WIRE EXIT
 DETROMPAGE B / CODING B
 COULEUR: BLEU / COLOUR: BLUE
 953486-4



DETROMPAGE B/ CODING B
 PN 953486-4



ECHELLE 1:1 / SCALE 1:1

QTY	MATERIAL	DESIGNATION / NAME	COULEUR / COLOR	ITEM
16	CuSn6	MQS LONG CONTACT	POST ETAME / POST TIN	4
16	CuSn6	MQS SHORT CONTACT	POST ETAME / POST TIN	3
1	PBT GF20	BOITIER / HOUSING	BLEU / BLUE	2
-	-	-	-	1

THIS DRAWING IS A CONTROLLED DOCUMENT.

DIMENSIONS: mm

MATERIAL

TOLERANCES UNLESS OTHERWISE SPECIFIED:

- 0-PLC ±
- 1-PLC ±0.3
- 2-PLC ±
- 3-PLC ±
- 4-PLC ±
- ANGLES ±5°
- FINISH

DWN	J. LAQUERBE	01JUL98
CHK	J. LAQUERBE	18JUN99
APVD	J. REVI	18JUN99
PRODUCT SPEC	108-15211	
APPLICATION SPEC	-	
WEIGHT	10.7 g	
CUSTOMER DRAWING	SCALE 2:1 SHEET 4 OF 7 REV L	



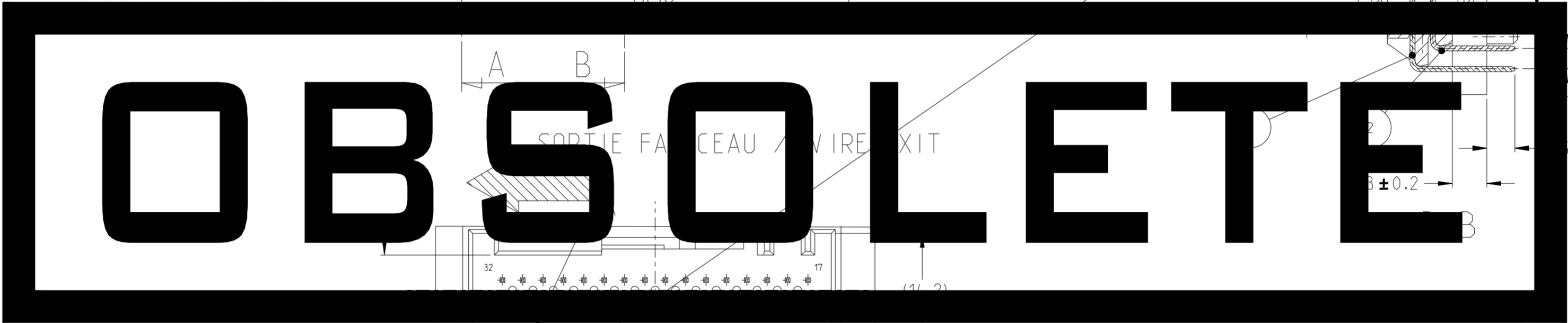
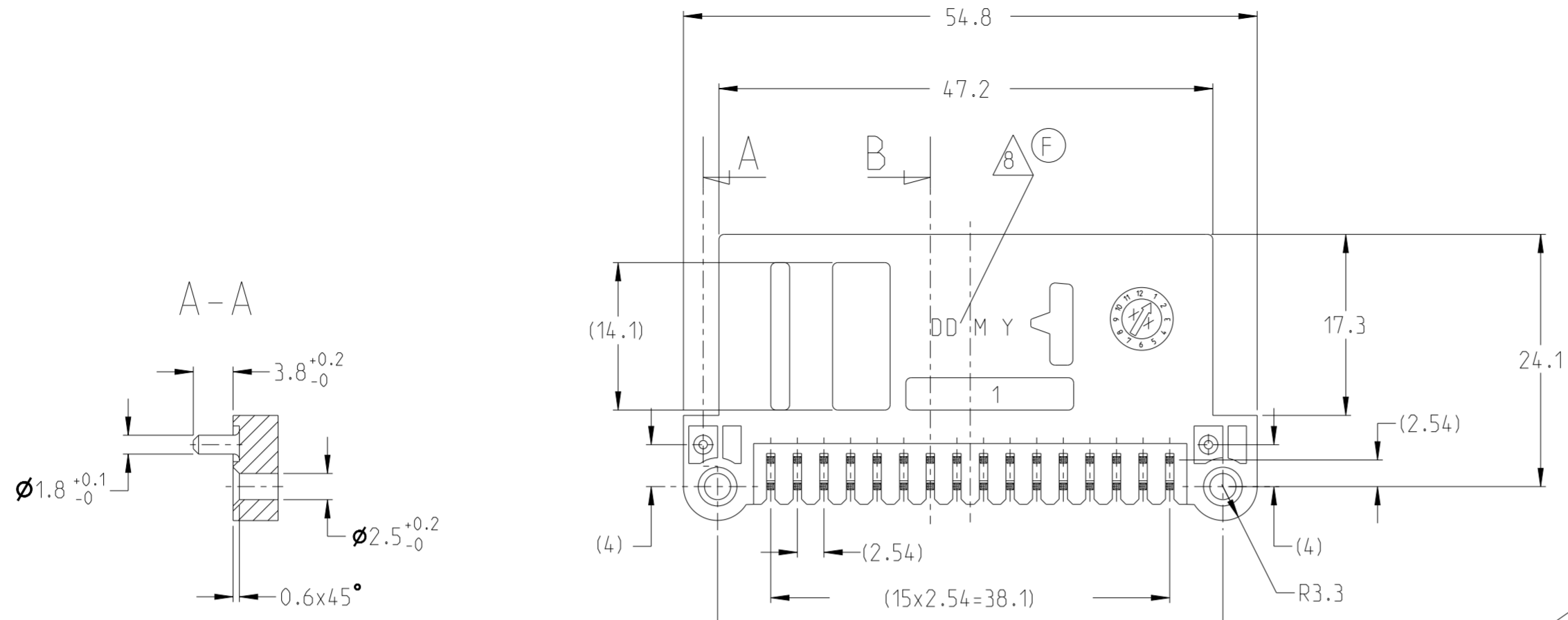
NAME: EMBASE 32V MQS COUDEE AVEC OREILLES
 32W MQS RIGHT ANGLE HEADER WITH EARS

SIZE	CAGE CODE	DRAWING NO	RESTRICTED TO
A2	00779	C-953486	-

P	LTR	DESCRIPTION	DATE	DWN	APVD
-	-	SEE SHEET 1	-	-	-

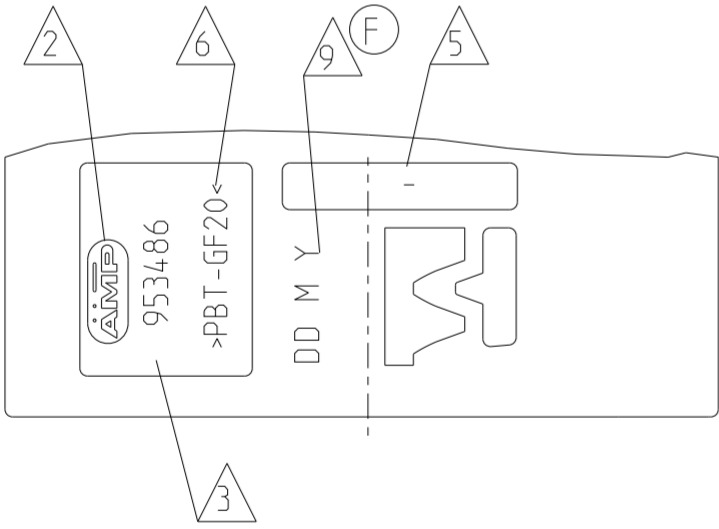
NOTES:

- 1 DATE DE MOULAGE
- 2 LOGO DE TE
- 3 REFERENCE DU PRODUIT ASSEMBLE
- 4 N° D'EMPREINTE DU MOULE
- 5 REVISION DU MOULE
- 6 MATIERE
- 7 CONTRE-PARTIE:
CONNECTEUR REF.929053
- 8 DATE D'ASSEMBLAGE
(DD = Jour ; M = Mois ; Y = année)
- 9 ZONE DE MARQUAGE ALTERNATIVE DE LA DATE D'ASSEMBLAGE.

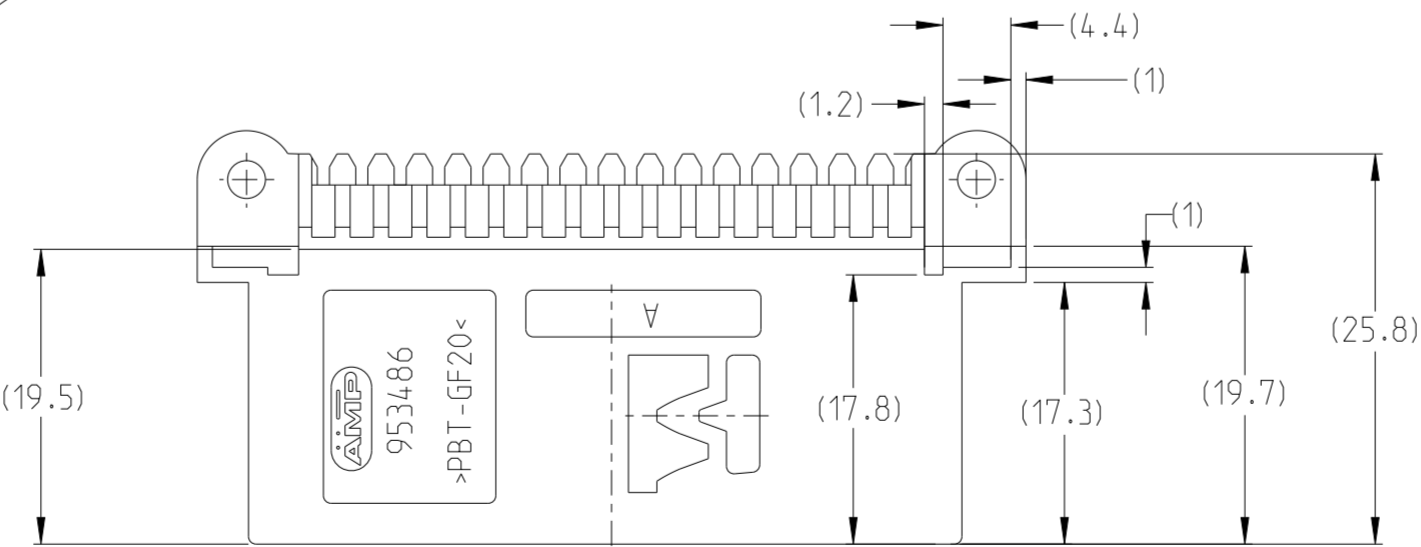


NOTES:

- 1 HOUSING DATE CODE
- 2 TE LOGO
- 3 ASSY PART NUMBER
- 4 CAVITY MARKING
- 5 REVISION STATUS FOR PN953486-3
- 6 MATERIAL REFERENCE
- 7 MATING PART:
CONNECTEUR PN 929053
- 8 ASSY DATE CODE
(DD = Day ; M = Month ; Y = Year)
- 9 ALTERNATIVE AREA FOR ASSY DATE MARKING.



DETROMPAGE A / CODING A
COULEUR: GRIS / COLOUR: GREY
953486-3

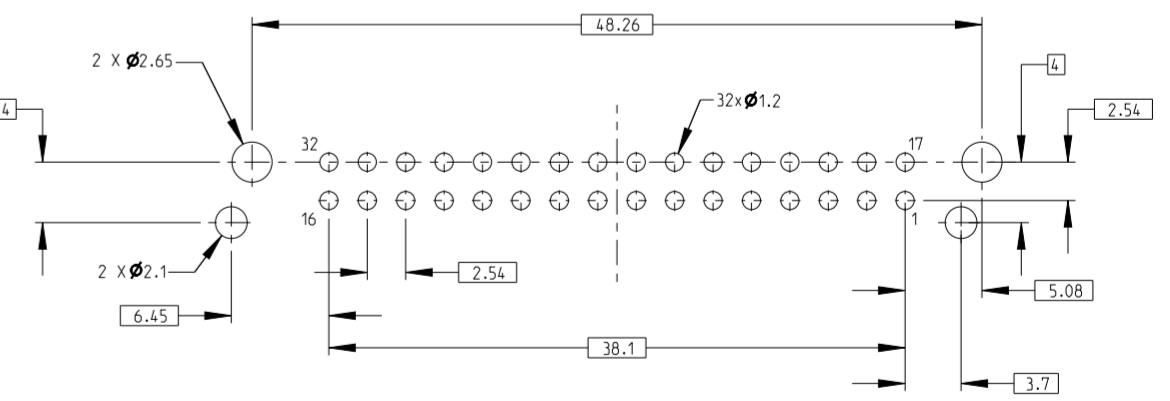


RECOMMANDATION IMPLANTATION C1

RECOMMENDED PCB LAYOUT

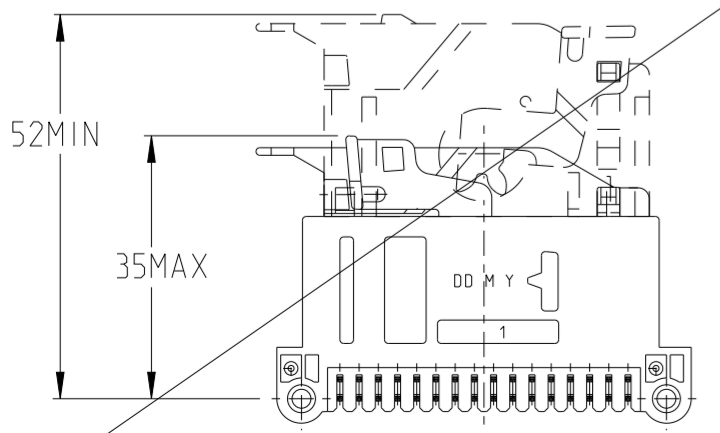
VUE DE DESSUS / VIEW FROM HEADER MOUNTING SIDE

EPAISSEUR C1 / PCB THICKNESS : 1.6 ±0.15



COULEUR: GRIS / COLOUR: GREY
953486-3

DETROMPAGE A / CODING A
953486-3



ECHELLE 1:1 / SCALE 1:1

ASSY. PN	953486-3
-	16
-	16
-	1
QTY	MATERIAL

DESIGNATION / NAME	COULEUR / COLOR	ITEM
MQS LONG CONTACT	ETAME / TIN	3
MQS SHORT CONTACT	ETAME / TIN	2
BOITIER / HOUSING (VERSION AVEC 2 PIONS / WITH 2 PINS KEYING VERSION)	GRIS / GREY	1

DIMENSIONS:	TOLERANCES UNLESS OTHERWISE SPECIFIED:
mm	0-PLC ±
	1-PLC ±0.3
	2-PLC ±
	3-PLC ±
	4-PLC ±
ANGLES	±5°
MATERIAL	FINISH
-	-

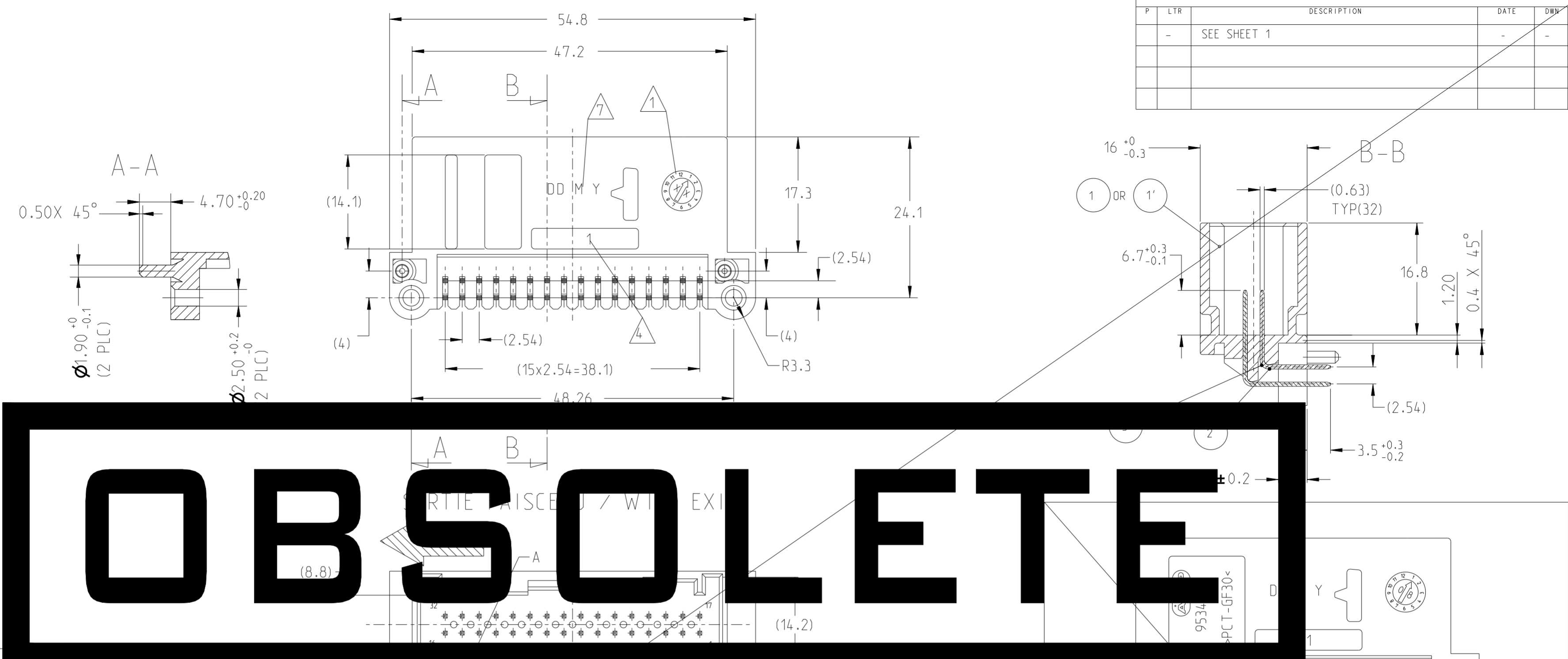
DWN	01JUL98
JJ LAQUERBE	18JUN99
CHK JJ LAQUERBE	18JUN99
APVD JJ REVI	18JUN99
PRODUCT SPEC	108-15211
APPLICATION SPEC	-
WEIGHT	10.7 g
CUSTOMER DRAWING	SCALE 2:1

NAME		RESTRICTED TO	
EMBASE 32V MQS COUDEE AVEC OREILLES 32W MQS RIGHT ANGLE HEADER WITH EARS		-	
SIZE	CAGE CODE	DRAWING NO	REV
A2	00779	953486	L
SHEET 5 OF 7		REV L	

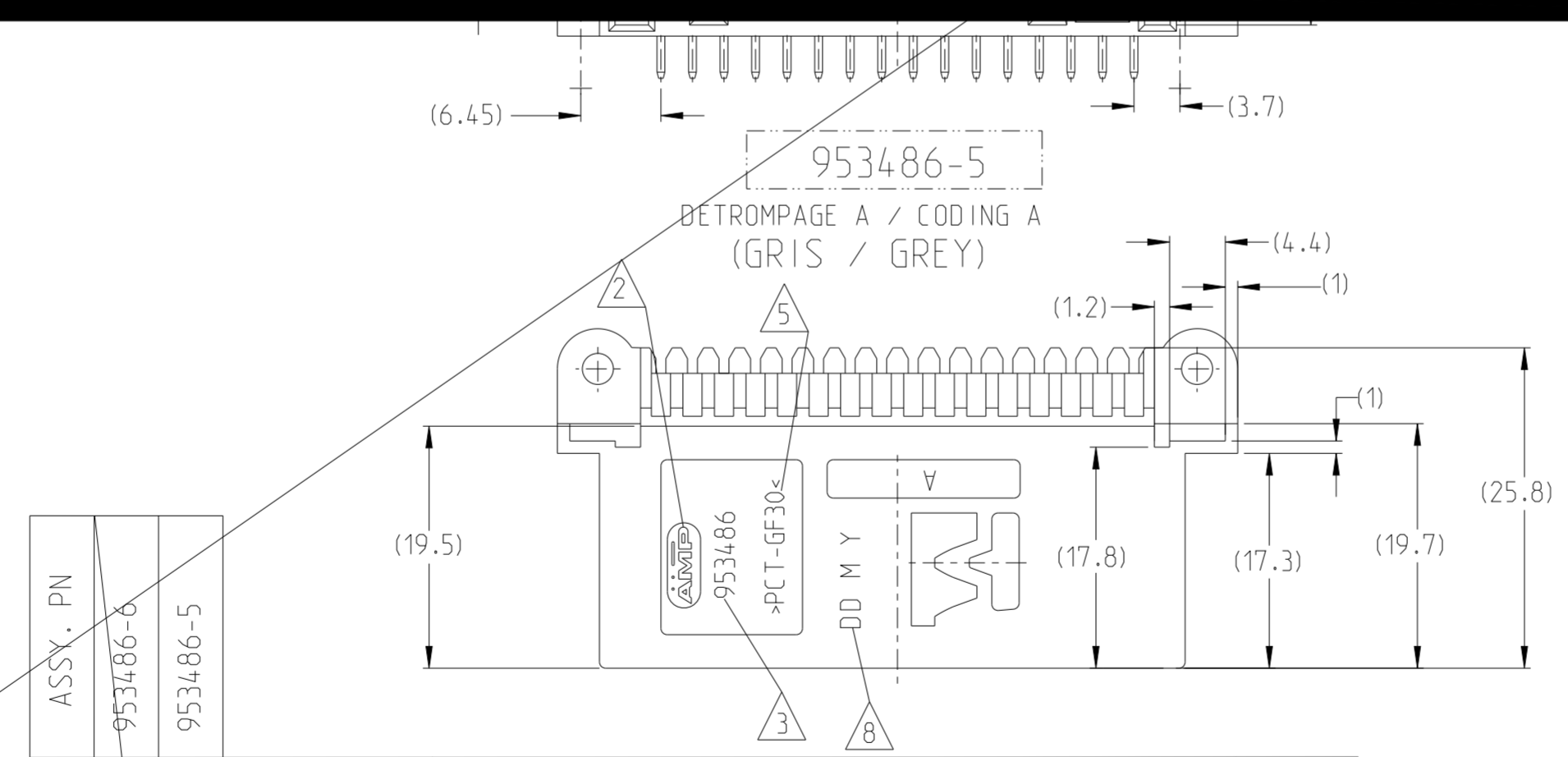
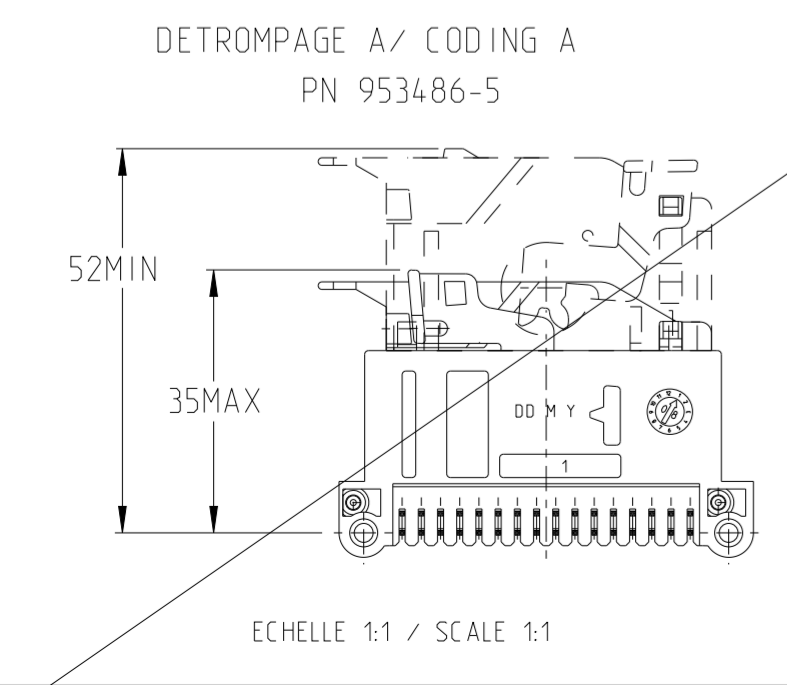
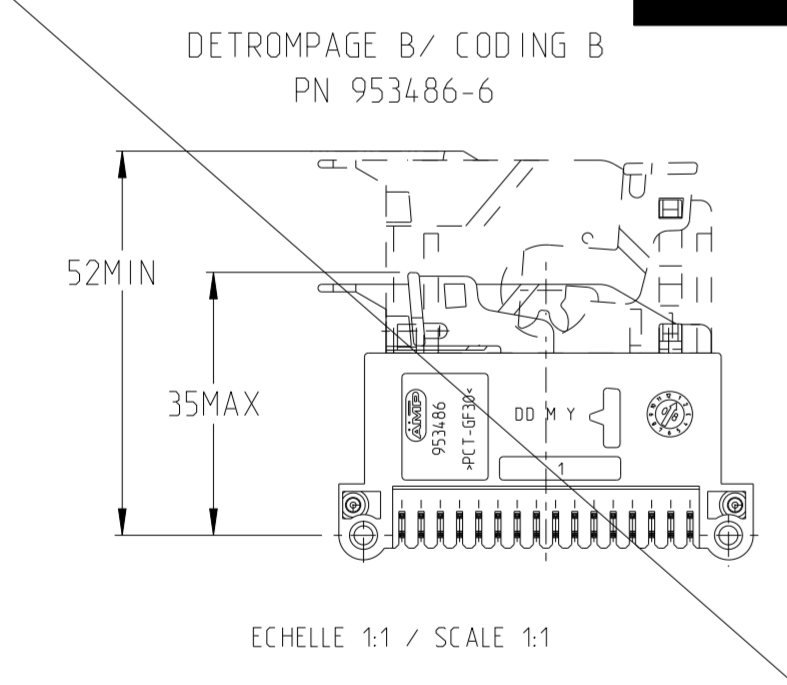


REVISIONS					
P	LTR	DESCRIPTION	DATE	DWN	APVD
-	-	SEE SHEET 1	-	-	-

- NOTES:**
- 1 DATE DE MOULAGE
 - 2 LOGO DE TE
 - 3 REFERENCE DU PRODUIT ASSEMBLE
 - 4 N° D'EMPREINTE DU MOULE
 - 5 MATIERE
 - 6 CONTRE-PARTIE:
CONNECTEUR REF.929053
 - 7 DATE D'ASSEMBLAGE
(DD = Jour ; M = Mois ; Y = année)
 - 8 ZONE DE MARQUAGE ALTERNATIVE
DE LA DATE D'ASSEMBLAGE.
- NOTES:**
- 1 HOUSING DATE CODE
 - 2 TE LOGO
 - 3 ASSY PART NUMBER
 - 4 CAVITY MARKING
 - 5 MATERIAL REFERENCE
 - 6 MATING PART:
CONNECTOR PN 929053
 - 7 ASSY DATE CODE
(DD = Day ; M = Month ; Y = Year)
 - 8 ALTERNATIVE AREA FOR ASSY DATE MARKING.



OBSOLETE



ASSY. PN	QTY	MATERIAL	DESIGNATION / NAME	COULEUR / COLOR	ITEM
953486-6	16	CuSn6	MQS LONG CONTACT	ETAME / TIN	3
953486-5	16		MQS SHORT CONTACT	BLEU / BLUE	2
	1	PCT GF30	BOITIER / HOUSING (VERSION AVEC 2 PIONS / WITH 2 PINS KEYING VERSION)	BLEU / BLUE	1'
	1		BOITIER / HOUSING (VERSION AVEC 2 PIONS / WITH 2 PINS KEYING VERSION)	GRIS / GREY	1

THIS DRAWING IS A CONTROLLED DOCUMENT.

DIMENSIONS: mm	TOLERANCES UNLESS OTHERWISE SPECIFIED:	DWN J.LAQUERBE 01JUL98	CHK J.LAQUERBE 18JUN99	APVD J.JREVI 18JUN99	NAME EMBASE 32V MQS COUDEE AVEC OREILLES 32W MQS RIGHT ANGLE HEADER WITH EARS
MATERIAL	FINISH	PRODUCT SPEC 108-15211	APPLICATION SPEC	SIZE A2	CAGE CODE 00779
WEIGHT 10.7 g		DRAWING NO C-953486		RESTRICTED TO	
CUSTOMER DRAWING			SCALE 2:1	SHEET 6 OF 7	REV L

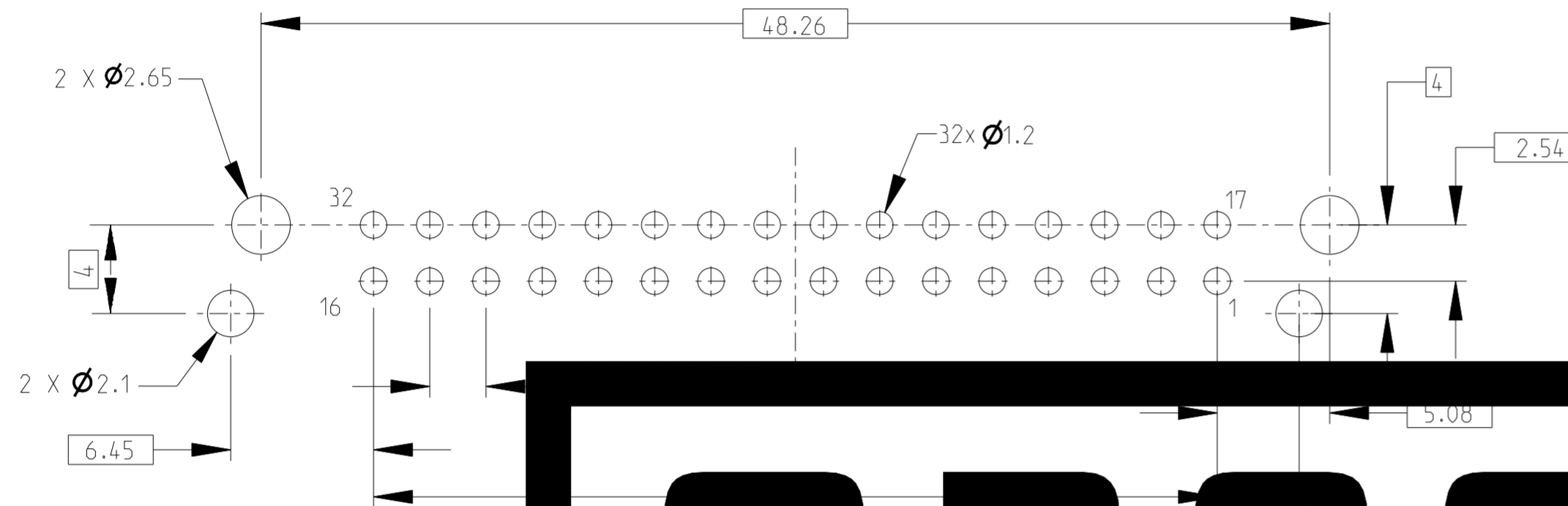
STE TE Connectivity

P	LTR	DESCRIPTION	DATE	DWN	APVD
-		SEE SHEET 1	-	-	-

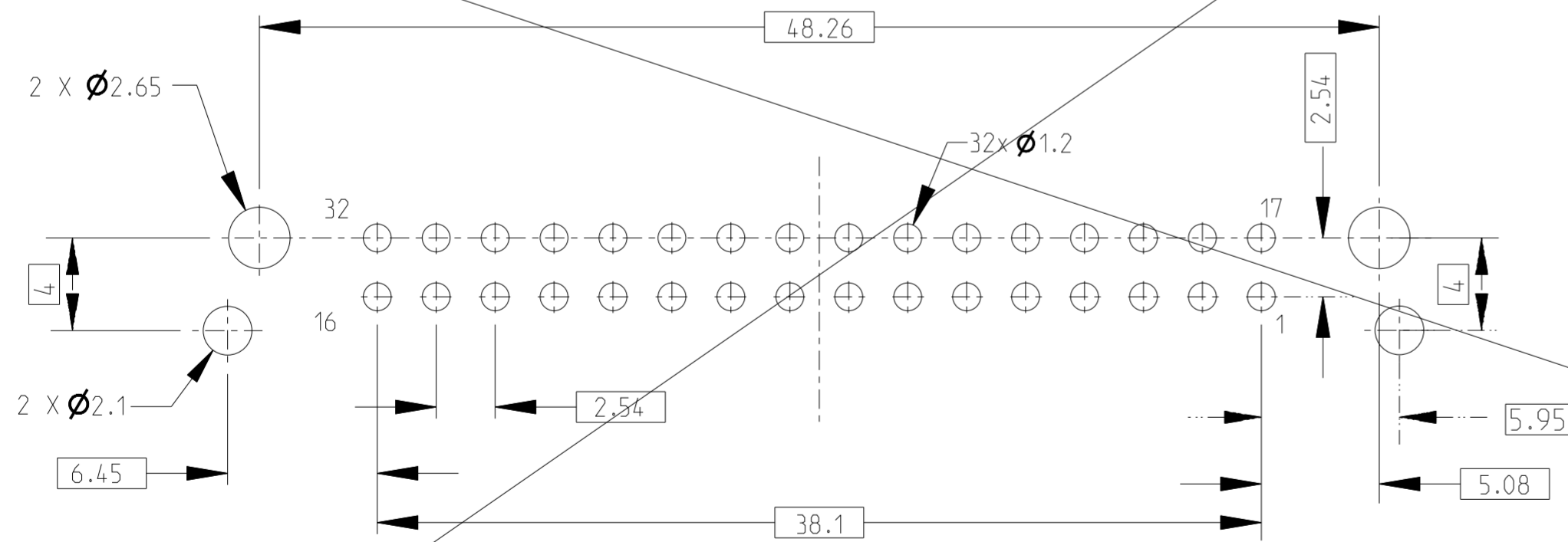
RECOMMANDATION IMPLANTATION CI
 RECOMMENDED PCB LAYOUT
 VUE DE DESSUS / VIEW FROM HEADER MOUNTING SIDE
 EPAISSEUR CI / PCB THICKNESS : 1.6 ±0.15

P/N ASS'Y
 REF. ASSEMBLEE

953486-5
 (GRIS / GREY)

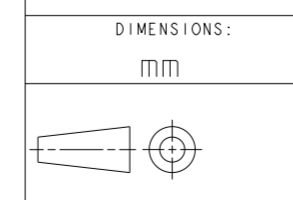


OBSOLETE



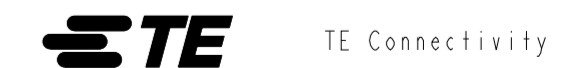
953486-6
 (BLEU / BLUE)

THIS DRAWING IS A CONTROLLED DOCUMENT.



DIMENSIONS:	TOLERANCES UNLESS OTHERWISE SPECIFIED:
mm	0-PLC ±
	1-PLC ±0.3
	2-PLC ±
	3-PLC ±
	4-PLC ±
ANGLES	±5°
FINISH	-

DWN	J.LAQUERBE	01JUL98
CHK	J.LAQUERBE	18JUN99
APVD	J.J.REVI	18JUN99
PRODUCT SPEC	108-15211	
APPLICATION SPEC	-	
WEIGHT	10.7 g	
CUSTOMER DRAWING		



NAME EMBASE 32V MQS COUDEE AVEC OREILLES
 32W MQS RIGHT ANGLE HEADER WITH EARS

SIZE	CAGE CODE	DRAWING NO	RESTRICTED TO
A2	00779	953486	-

SCALE 2:1 SHEET 7 OF 7 REV L