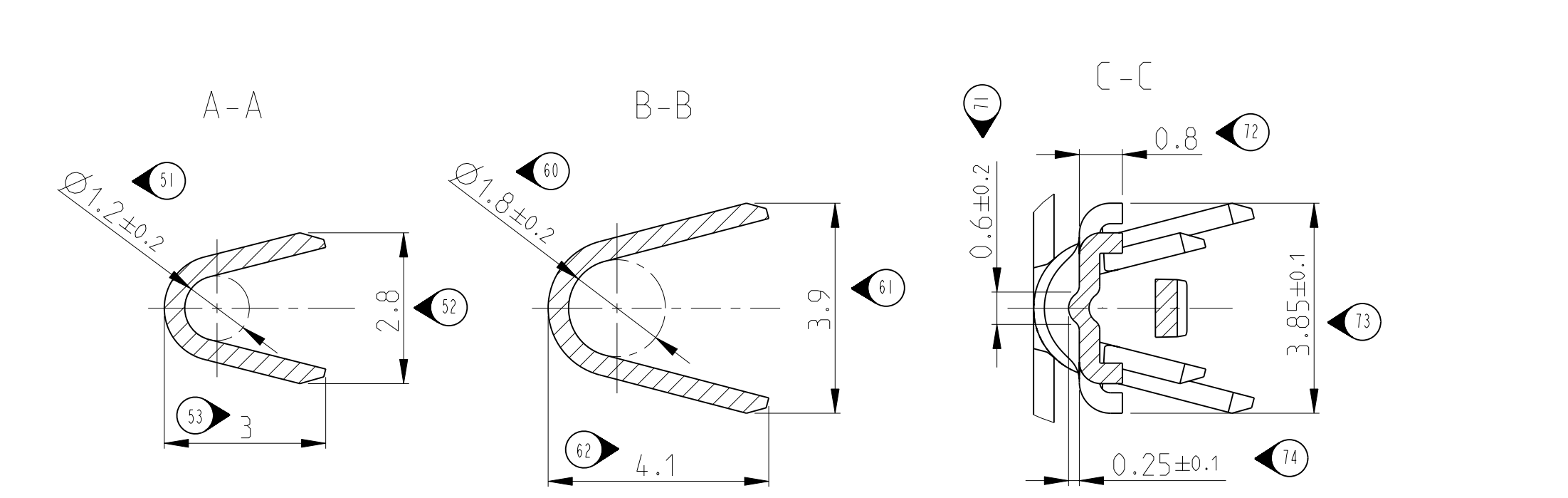
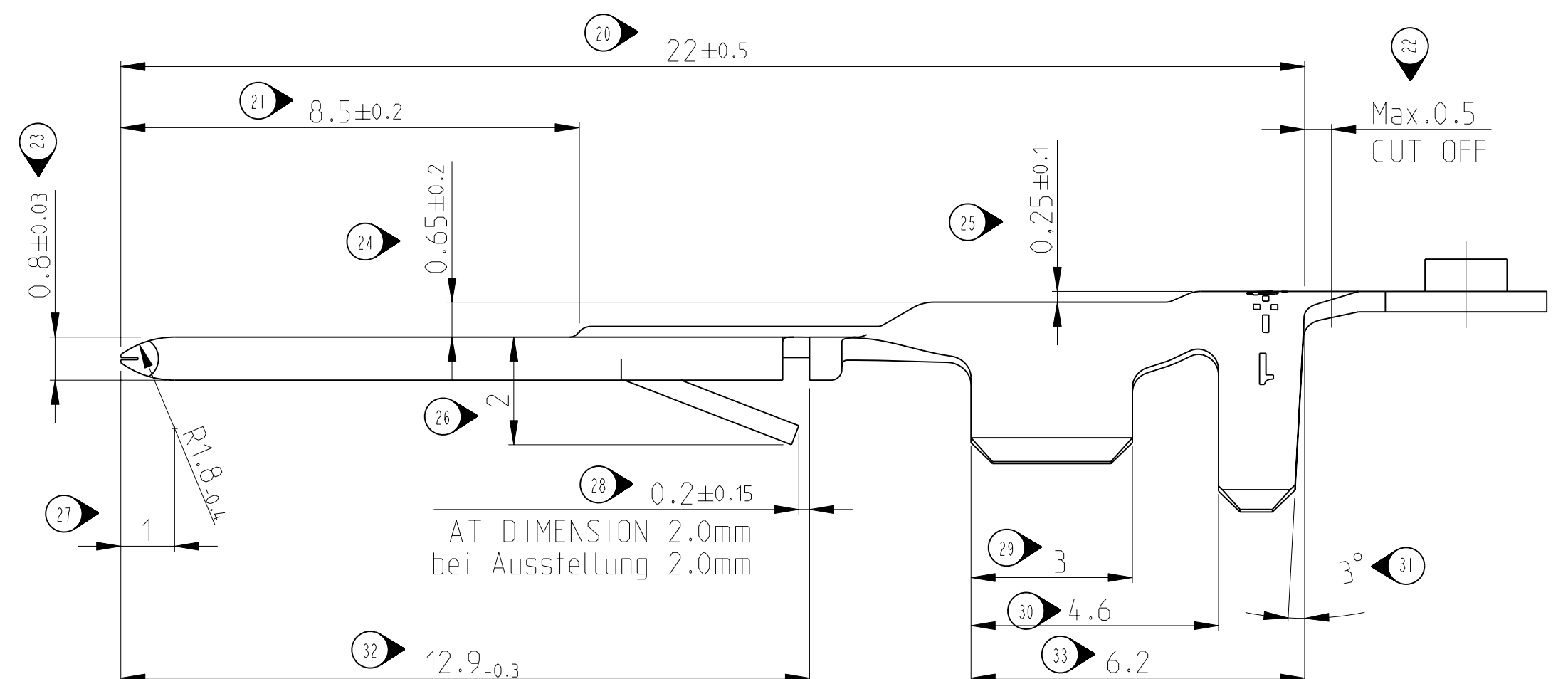
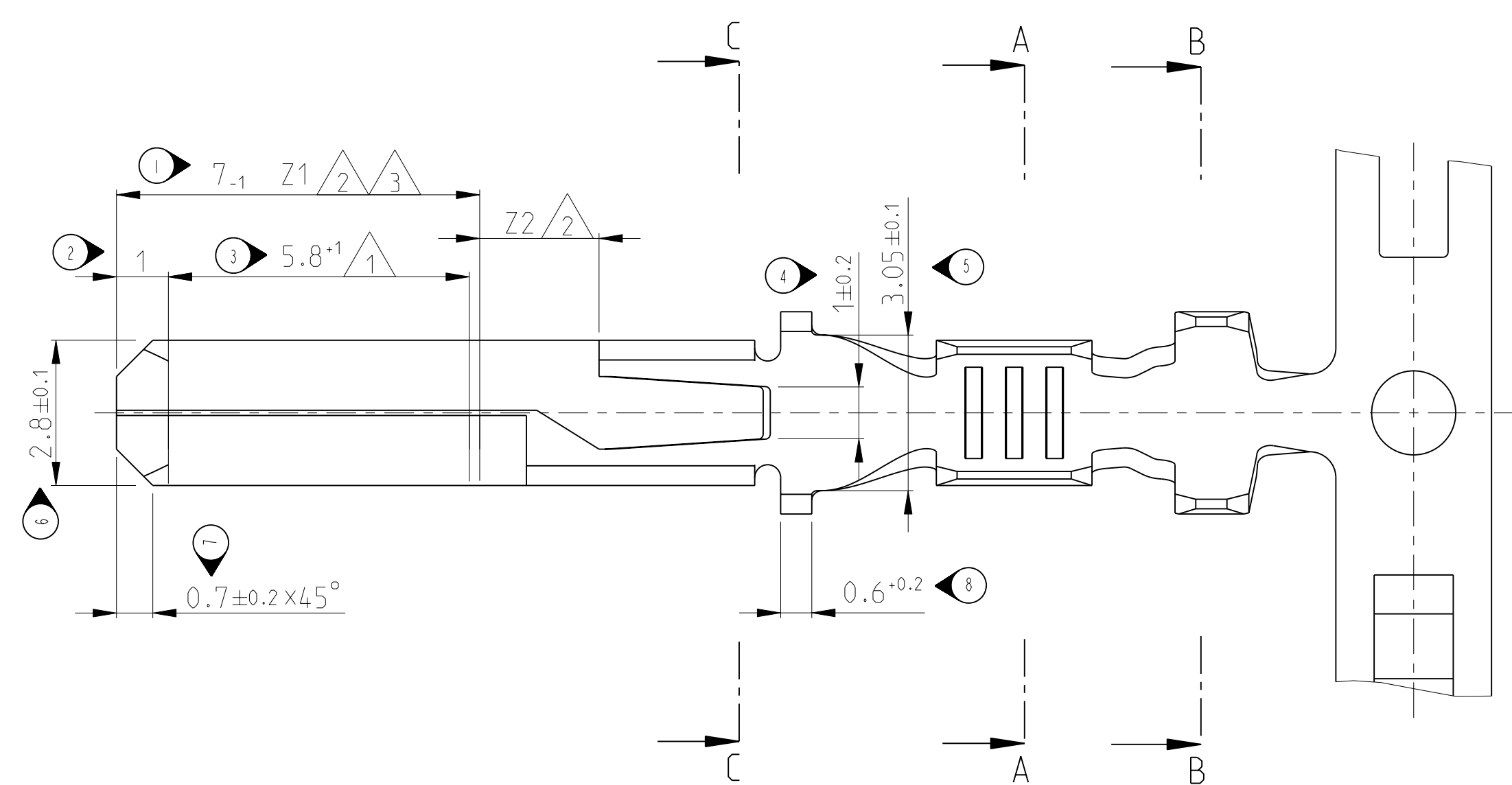


THIS DRAWING IS UNPUBLISHED. RELEASED FOR PUBLICATION 2008
 © COPYRIGHT 2008 BY TYCO ELECTRONICS CORPORATION. ALL RIGHTS RESERVED.

LOC		DIST		REVISIONS			
P	LTR	DESCRIPTION	DATE	DWN	APVD		
	C6	see ECR-08-023230	12SEP2008	TK	TK		



- 80 \triangle 1 TAB THICKNESS 0.8 ± 0.03 AT MARKED LENGTH
Dicke 0.8 ± 0.03 auf gekennzeichnete Länge
- 81 \triangle 2 SELECTIVE GOLD PLATED VERSION;
AREA Z1: CONTACT AREA MIN. $0.8 \mu\text{m}$ ELECTRO DEPOSITED GOLD
OVER $1-3 \mu\text{m}$ ELECTRO DEPOSITED NICKEL
AREA Z2: GOLD-FLASH (cca $0.04 \mu\text{m}$) OVER NICKEL
CRIMP AREA: $0.8-2.3 \mu\text{m}$ ELECTRO DEPOSITED TIN OVER NICKEL

Ausführung 'selektiv vergoldet';
Bereich Z1: Kontakzone min. $0.8 \mu\text{m}$ galvanisch Gold
über $1-3 \mu\text{m}$ galvanisch Nickel
Bereich Z2: Gold-Flasch (cca $0.04 \mu\text{m}$) über Nickel
Crimp-Bereich: $0.8-2.3 \mu\text{m}$ galvanisch Zinn über Nickel
- 82 \triangle 3 SELECTIVE SILVER PLATED VERSION;
AREA Z1: CONTACT AREA MIN. $3 \mu\text{m}$ ELECTRO DEPOSITED SILVER
CRIMP AREA: min. $0.8 \mu\text{m}$ ELECTRO DEPOSITED TIN

Ausführung 'selektiv versilbert';
Bereich Z1: Kontakzone min. $3 \mu\text{m}$ galvanisch Silber
Crimp-Bereich: min. $0.8 \mu\text{m}$ galvanisch Zinn
- 4 WIRE SIZE RANGE/Drahtgrößenbereich: $0.5-1.0 \text{ mm}^2$
INSULATION \varnothing /Isolations \varnothing : $1.4-2.3 \text{ mm}$ FLR-wire/Leitung
WIRE/Leiter: F-Crimp
INSULATION/Isolation: OVL-Crimp
- 5 CORRESPONDING TABS FOR WIRE RANGE
Weitere Flachstecker für Drahtgrößenbereich
 $0.2-0.5 \text{ mm}^2$: 964131
 $>1.0-2.5 \text{ mm}^2$: 964133
- \triangle 6 TO BE REELED ON PLASTIC REEL
Spulen auf Kunststoffspule

0-964141-2	PRETINNED / vorverzinnt	CuSn4 R480	\triangle 6	1-964132-2	C
0-964141-5	SEL. SILVER PLATED	CuSn4 R480	\triangle 3	0-964132-5	C
0-964141-4	SEL. GOLD PLATED	CuSn4 R480	\triangle 2	0-964132-4	C
0-964141-3	PRETINNED / vorverzinnt	CuNiSi R460		0-964132-3	C
0-964141-2	PRETINNED / vorverzinnt	CuSn4 R480		0-964132-2	C
0-964141-1	PLAIN / blank	CuSn4 R480		0-964132-1	C
LOOSE PIECE No. Einzelausführung	FINISH Oberfläche	MATERIAL	PART No. Bestell-Nr.	REV	

THIS DRAWING IS A CONTROLLED DOCUMENT FOR TYCO ELECTRONICS CORPORATION IT IS SUBJECT TO CHANGE AND THE CONTROLLING ENGINEERING ORGANIZATION SHOULD BE CONTACTED FOR THE LATEST REVISION.		DWN T. Konecny 12SEP2008	Tyco Electronics AMP GmbH 64625 Bensheim (Germany)	
DIMENSIONS: mm		CHK M. Pavlicek 15SEP2008	NAME 2.8mm FASTIN-FASTON® TAB 2.8mm FASTIN-FASTON® Flachstecker	
TOLERANCES UNLESS OTHERWISE SPECIFIED:		APVD T. Konecny 16SEP2008	SIZE A2	
0 PLC ± 0.3	1 PLC ± 0.3	PRODUCT SPEC	CAGE CODE 00779	DRAWING NO 964132
2 PLC ± 0.3	3 PLC ± 0.3	APPLICATION SPEC	RESTRICTED TO	
4 PLC ± 0.3	ANGLES $\pm 3^\circ$	114-18014	SCALE 10:1	SHEET 1 OF 1
MATERIAL see table	FINISH see table	WEIGHT -	REV C6	
CUSTOMER DRAWING				