



YAGI ANTENNAS

800/900 MHz

For 800 MHz ESMR and SMR or conventional applications, choose the 4-element PC804N, 6-element PC806N, or 10-element PC8010N. The Laird Connectivity PC804N, PC826N, and PC8210N are also available in the 900 MHz GSM frequency band.

FEATURES AND BENEFITS

- All-welded unit construction
- No adjustments ever needed
- Waterproof design
- Stainless steel hardware
- Pigtail mounted N-female connector

APPLICATIONS

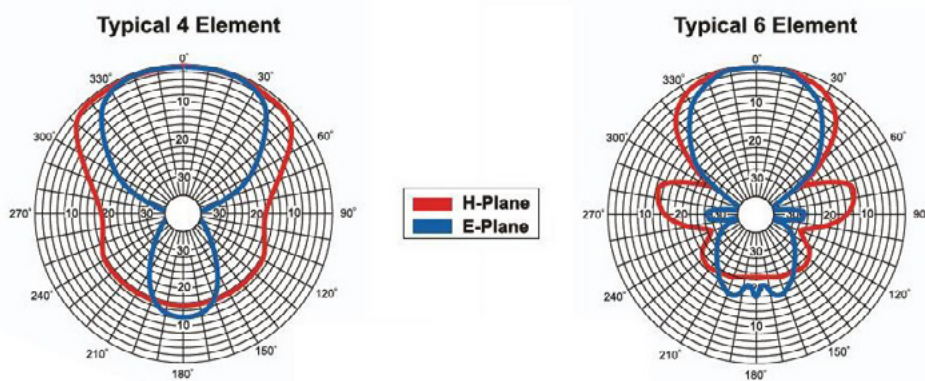
- LoRa/ISM
- Public Safety
- Utilities/Smart Grid
- Smart Cities

COMMON SPECIFICATIONS

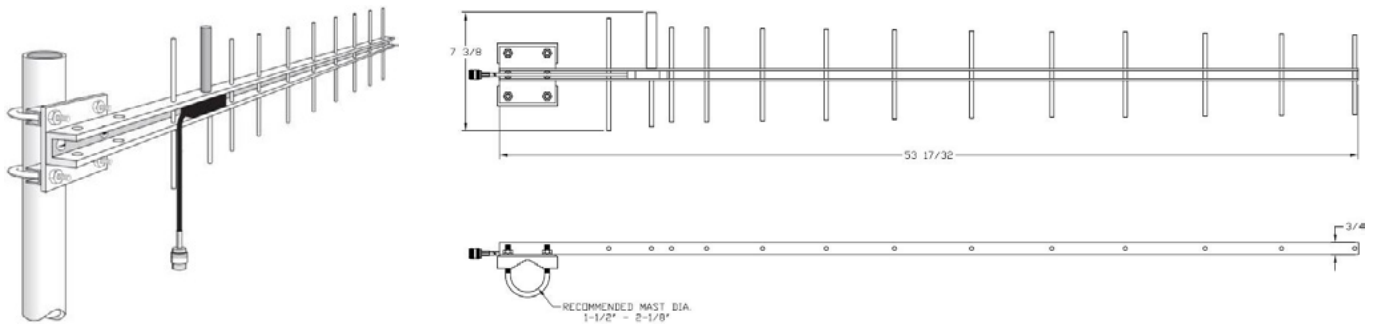
Power Handling (W)	200
Elements	6061T6 aluminum rod: 0.63 cm (1/4 in.)
Boom	6061T6 aluminum channel: 1.9 cm (3/4 in.)
Mounting Style	U-bolt
Mounting Size	Maximum mast diameter: 5.4 cm (2-1/8 in.) Pigtail: 48.3 cm (19.0 in.)
Connectivity Type	N-female
Wind Survival - kph (mph)	200 (125)
Wind Survival - 1/2" ice - kph (mph)	161 (100)

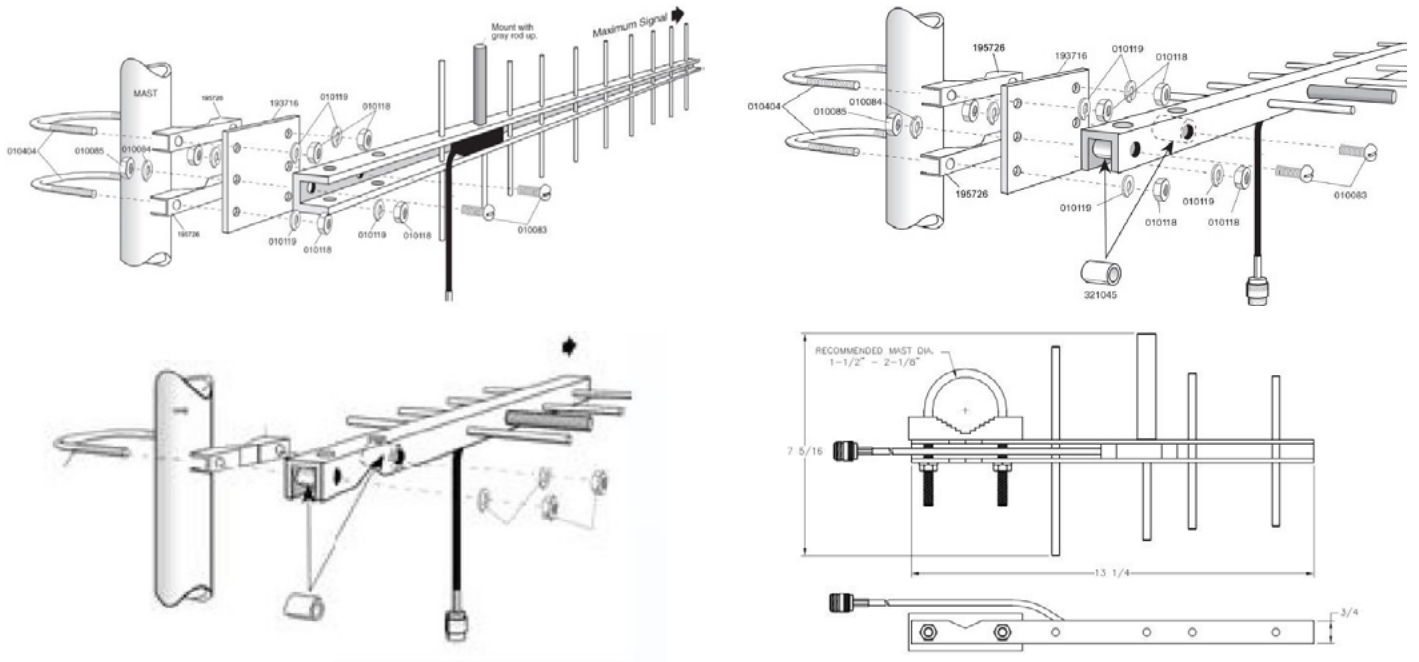
MODEL	FREQ. (MHz)	GAIN (dBd)	NO. OF. ELEMENTS	FRONT-TO-BACK RATIO (dB)	-3 dB BEAMWIDTH		WIND SURFACE AREA m ² (ft ²)	LENGTH cm (in.)	WEIGHT lb (kg.)
					E-PLANE	H-PLANE			
PC9013N	902-928	13	13	20	35°	40°	0.043 (0.46)	135.9 (53-1/2)	1.40 (3.12)
PC9010N	928-960	12	10	20	40°	45°	0.035 (0.38)	105.2 (41-7/16)	1.04 (2.31)
PC904N	896-980	6	4	15	70°	100°	0.01 (0.11)	33 (13)	0.50 (1.12)
PC906N	896-940	8.5	6	18	55°	65°	0.024 (0.26)	62.9 (24-3/4)	0.73 (1.62)
PC8910N	896-940	11	10	20	40°	45°	0.035 (0.38)	105.2 (41-7/16)	1.04 (2.31)
PC8010N	806-869	11	10	20	40°	45°	0.035 (0.38)	116.8 (46)	1.10 (2.44)
PC804N	806-902	6	4	15	70°	90°	0.01 (0.11)	33 (13)	0.50 (1.12)
PC806N	806-866	8.5	6	18	55°	65°	0.024 (0.26)	62.9 (24-3/4)	0.76 (1.69)

RADIATION PATTERN



MECHANICAL DRAWINGS





TE TECHNICAL SUPPORT CENTER

USA:	+1 (800) 522-6752
Canada:	+1 (905) 475-6222
Mexico:	+52 (0) 55-1106-0800
Latin/S. America:	+54 (0) 11-4733-2200
Germany:	+49 (0) 6251-133-1999
UK:	+44 (0) 800-267666
France:	+33 (0) 1-3420-8686
Netherlands:	+31 (0) 73-6246-999
China:	+86 (0) 400-820-6015

te.com

TE, and TE connectivity (logo) are trademarks owned or licensed by the TE Connectivity Ltd. family of companies. All other logos, products and/or company names referred to herein might be trademarks of their respective owners.

The information given herein, including drawings, illustrations and schematics which are intended for illustration purposes only, is believed to be reliable. However, TE Connectivity makes no warranties as to its accuracy or completeness and disclaims any liability in connection with its use. TE Connectivity's obligations shall only be as set forth in TE Connectivity's Standard Terms and Conditions of Sale for this product and in no case will TE Connectivity be liable for any incidental, indirect or consequential damages arising out of the sale, resale, use or misuse of the product. Users of TE Connectivity products should make their own evaluation to determine the suitability of each such product for the specific application.

TE Connectivity warrants to the original end user customer of its products that its products are free from defects in material and workmanship. Subject to conditions and limitations TE Connectivity will, at its option, either repair or replace any part of its products that prove defective because of improper workmanship or materials. This limited warranty is in force for the useful lifetime of the original end product into which the TE Connectivity product is installed. Useful lifetime of the original end product may vary but is not warranted to exceed one (1) year from the original date of the end product purchase.

©2022 TE Connectivity. All Rights Reserved.

08/22 Original