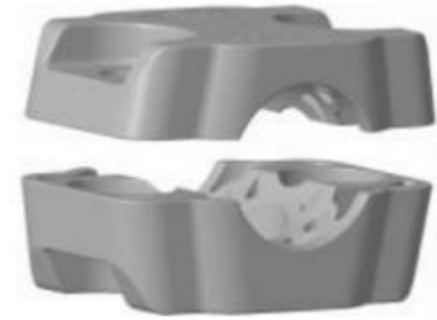


STRUT NUT IS FOR REPRESENTATION PURPOSES ONLY

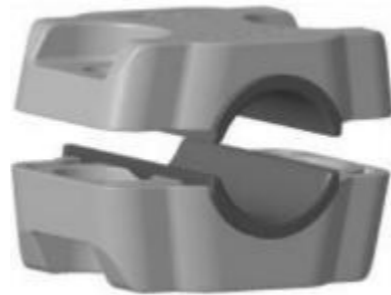


CENTER MOUNT VERSION

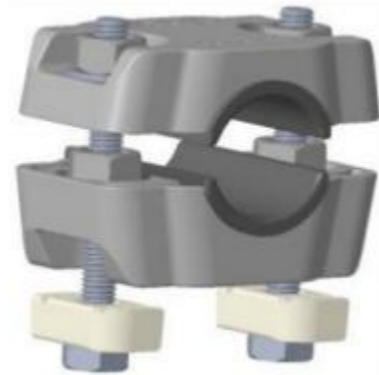
SUITABLE FOR ANY CENTER MOUNT APPLICATION. CENTER MOUNTING HARDWARE NOT INCLUDED.



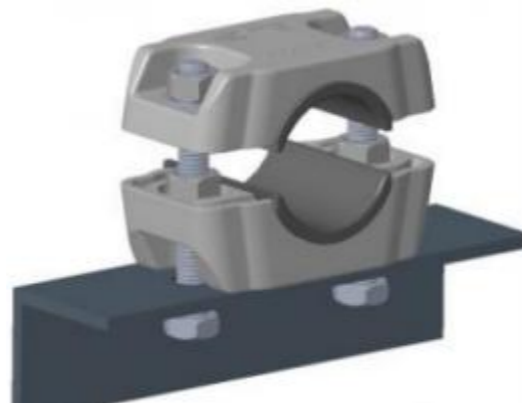
CCXX-XX CABLE CLEATS ONLY



CCXX-XX-INS CLEATS WITH INSERTS



STRUT NUT VERSION



FLAT MOUNT VERSION

TCPN	CATALOGUE NO.	TYPE	A mm (inch)	B mm (inch)	C mm (inch)	D = MAX HEIGHT WITH MAX CABLE mm (inch)	MIN CABLE E mm (inch)	MAX CABLE F mm (inch)
ER3867-000	CC15-26-INS	CLEATS WITH INSERTS	96 (3.78)	60 (2.36)	64 (2.52)	70 (2.76)	Ø15 (0.59)	Ø26 (1.02)
ER3868-000	CC15-26-SN	STRUT NUT						
ER3869-000	CC15-26-FM	FLAT MOUNT						
ER3870-000	CC15-26-CM	CENTER MOUNT						
ER0001-000	CC26-38	CABLE CLEATS ONLY	96 (3.78)	60 (2.36)	64 (2.52)	-	Ø27 (Ø1.06)	Ø42 (1.65)
ER0002-000	CC26-38-INS	CLEATS WITH INSERTS						
ER0003-000	CC26-38-M10	STRUT NUT M10						
ER0004-000	CC26-38-SN	STRUT NUT						
ER0005-000	CC26-38-FM	FLAT MOUNT						
ER0006-000	CC26-38-CM	CENTER MOUNT						
ER0010-000	CC38-50	CABLE CLEATS ONLY	114 (4.49)	60 (2.36)	80 (3.15)	-	Ø39 (1.53)	Ø54 (1.97)
ER0011-000	CC38-50-INS	CLEATS WITH INSERTS						
ER0012-000	CC38-50-SN	STRUT NUT						
ER0013-000	CC38-50-FM	FLAT MOUNT						
ER0014-000	CC38-50-CM	CENTER MOUNT	136 (5.35)	65 (2.56)	100 (3.93)	-	Ø51 (2.00)	Ø79 (3.11)
ER0018-000	CC50-75	CABLE CLEATS ONLY						
ER0019-000	CC50-75-INS	CLEATS WITH INSERTS						
ER0020-000	CC50-75-SN	STRUT NUT						
ER0021-000	CC50-75-FM	FLAT MOUNT						
ER0022-000	CC50-75-CM	CENTER MOUNT						
ER0026-000	CC75-100	CABLE CLEATS ONLY	164 (6.45)	70 (2.76)	126 (4.96)	-	Ø76 (2.99)	Ø104 (3.93)
ER0027-000	CC75-100-INS	CLEATS WITH INSERTS						
ER0028-000	CC75-100-SN	STRUT NUT						
ER0029-000	CC75-100-FM	FLAT MOUNT						
ER0030-000	CC75-100-CM	CENTER MOUNT	200 (7.87)	80 (3.15)	160 (6.30)	-	Ø101 (3.97)	Ø139 (5.47)
ER0033-000	CC100-135	CABLE CLEATS ONLY						
ER0034-000	CC100-135-INS	CLEATS WITH INSERTS						
ER0035-000	CC100-135-SN	STRUT NUT						
ER0036-000	CC100-135-FM	FLAT MOUNT						
ER0037-000	CC100-135-CM	CENTER MOUNT						

LOC	—	A1	CC26-38-M10 DIMENSIONS ADDED AND 'D' DIMENSIONS UPDATED	25/08/22	JS	RN	IMPLIED NOTES BURRS AND SHARP EDGES REMOVED SCREW THREADS ARE TO AS 1275 DO NOT WORK TO DIMS MARKED REF SURFACE FINISH 6.3 U.N.O. DIMS ARE IN mm. DO NOT SCALE	IMPLIED TOLERANCES HOLE DIA AND LOCATIONS. ±0.5mm. DIMENSIONS UP TO 30mm. ±1.5mm. DIMENSIONS OVER 30mm. ±5%. UP TO A MAX OF. ±5mm. ANGULAR DIMENSIONS. ±5°.	TCPN REFER TABLE	TITLE CABLE CLEATS CUSTOMER DRAWING- SINGLE					
	—	A	CC15-26 DIMENSIONS ADDED	16/08/21	JS	RN			Cat No REFER TABLE	DRAWN JS	DATE 13/01/21	TE Connectivity 2/3 Corella Close Berkeley Vale NSW 2261 Australia			
DIST	—	I	NEW RELEASE	13/01/21	JS	RN	MATERIAL DESC -		CHECKED SC	APPROVED RN	DRAWING NO AU34995				
POS	REV	REVISION RECORD		DATE	DWN	APVD	MATERIAL NO -	MATL SPEC/STD/DRG NO -	PROCESS SPEC HEAT TREAT/PLATING NO	SIZE A3	PROJECTION 3RD ANGLE	SCALE 1:1	SHEET 1	OF 1	REV A1