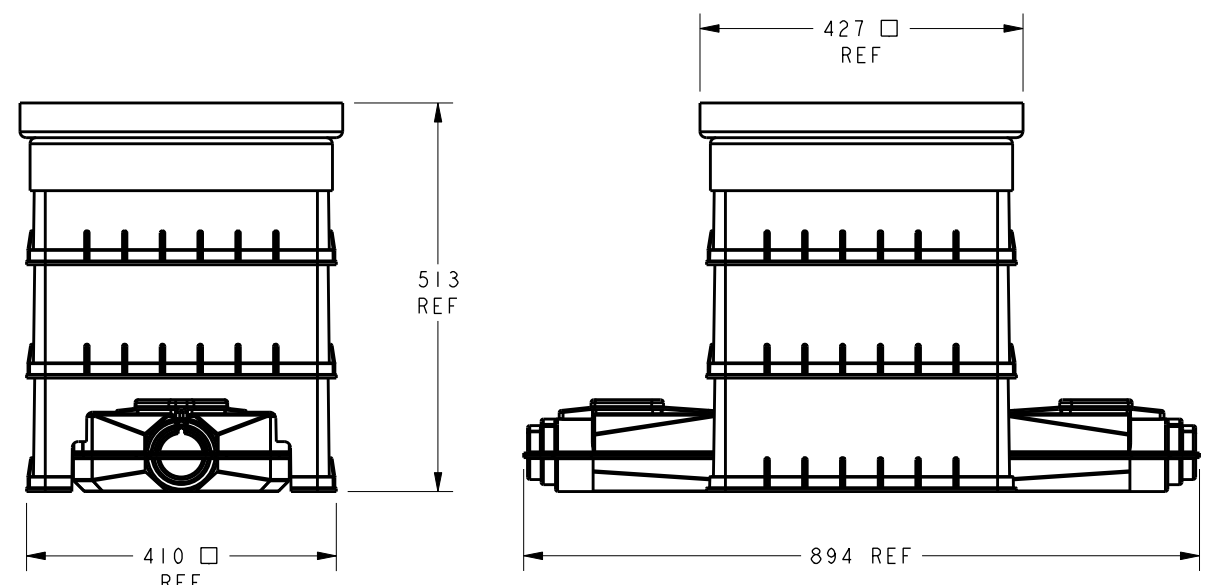


	ITEM	PART/DRG NO	QTY	DESCRIPTION
SEE NOTE 2 ↔	1	01-500-0071	2	BRASS CNE CONNECTOR - EXTENDED PRESSURE PLATE
SEE NOTE 2 ↔	2	01-500-0072	2	BRASS CNE CONNECTOR - SHOE x 34 LONG
SEE NOTE 2 ↔	3	01-701-0038	4	M12 x 1.75 13 A/F 52.5 LONG BRASS MULTI-SHEAR BOLT
	4	01-703-0050	2	M8 x 25 LONG SOCKET HEAD CAP SCREW - STEEL
	5	01-712-0013	1	BRIDGE HANDLE PLAIN BORE - M8 x 132 CRS
	6	01-803-0016	2	ENGRAVING LABEL - WHITE/BLACK/WHITE - 80x35mm
	7	01-807-0371	1	LINK BOX ENCLOSURE COVER 2-WAY (MK2 & MK3 LINKBOX)
	8	01-807-0433	1	2-WAY LINK BOX ENCLOSURE SET - MK2 & MK3 LINKBOX (UR3030TMB)
	9	01-811-0002	1	DIVING BELL LID 2-WAY (MK2 LINK BOX)
SEE NOTE 1 ↔	10	01-811-0004	1	TERMINAL COVER (MK2 & MK3 LINKBOX)
	11	01-811-0024	2	UPPER HOUSING CUT-OUT COVER - STANDARD (MK2 LINK BOX)
	12	01-811-0028	1	CONDUCTOR SETTING JIG (MK2 LINK BOX)
SEE NOTE 2 ↔	13	01-811-0079	1	INSTALLATION INSTRUCTION FOR MK2 & MK3 UK LOW VOLTAGE 2 & 4 WAY LINKBOX
	14	02-811-0016	1	300mm² 2-WAY 3-CORE UNTAILED MK2 LINK BOX BODY - UK VERSION
	15	02-811-0032	1	2-WAY LINK / ACCESSORY TOOLBOX ASSEMBLY
	16	BAH-018110104	3	INJECTION MOULDED TERMINAL COVER LID (MK2 & MK3 LINKBOX)



SEE NOTE 1

SEE NOTE 2

NOTES :

1. TERMINAL COVER (x1) IS NOT TO BE CLIPPED TO BACK PANEL.
2. ALL PARTS MARKED "SEE NOTE 2 ↔" ARE TO BE PACKED IN TOOLBOX



Material	VARIABLES
Finish	VARIABLES
Tolerances (UCS)	N/A
B&H Short Desc.	1700/UK

Part Description	
300mm² 2-WAY 3-CORE UNTAILED MK2 LINK BOX TOP LEVEL ASSEMBLY - UK VERSION	

Revision	Description	Name/DMR	Date
M	BAH-018110027 (x1) REMOVED & REPLACED WITH BAH-018110104 (x3)	BH-00851	11/03/13
L	BAH-015000071 (x2), BAH-015000072 (x2) & BAH-017010038 (x4) REPLACE BAH-025000095 (x2)	BH-00842	06/12/12
K	BAH-025000095 (x2) REPLACES BAH-015000071 (x2), BAH-015000072 (x2) & BAH-017010038 (x4)	BH-00746	20/07/12
J	BAH-018110079 (x1) ADDED & NOTE 3 ADDED	BH-00322	30/11/07
H	BAH-017030051 (x4), BAH-017120012 (x4), BAH-018070369 (x1), BAH-018070370 (x2), BAH-018110025 (x4) REMOVED & REPLACED WITH BAH-018070433 (x1)	BH-00317	13/11/07
G	PICTORIAL CHANGE ONLY - HANDLE REMOVED FROM TOOLBOX	BH-00197	14/09/06
F	NOTES 1 & 2 ADDED, VARIOUS PICTORIAL CHANGES, BAH-018110026 (x6), BAH-018110034 (x1), BAH-018110035 (x6), BAH-018110049 (x1) & BAH-018110050 (x1) REMOVED, BAH-015000071 (x2), BAH-015000072 (x2) & BAH-017010038 (x4) ADDED	BH-00192	31/07/06
E	01-803-0016 (x2) ADDED, 01-712-0012 (x4) ADDED, 01-811-0049 (x1) ADDED, 01-811-0050 (x1) ADDED, 01-811-0034 (x1) ADDED, 01-803-0043 (x2) REMOVED	BH-00170	04/05/06
D	CONDUCTOR SETTING JIG ADDED	BH-00145	09/02/06
C	PICTORIAL CHANGES ONLY	BH-00126	13/12/05
B	INSULATION SHROUD RE-DESIGNED TO TWO PIECE CONSTRUCTION	BH-00073	28/06/05
A	FIRST ISSUE	BH-00055	28/04/05

Design/Drawn	D M EATON	Date	19-Apr-05	Scale (UCS)	1:10
PCN/RPN No	A98272-000	Checked/Approved by		THIRD ANGLE PROJECTION	
Drawing/Part No	BAH-038110020	Drawn Type	ASSEMBLY/CUSTOMER	Rev	M