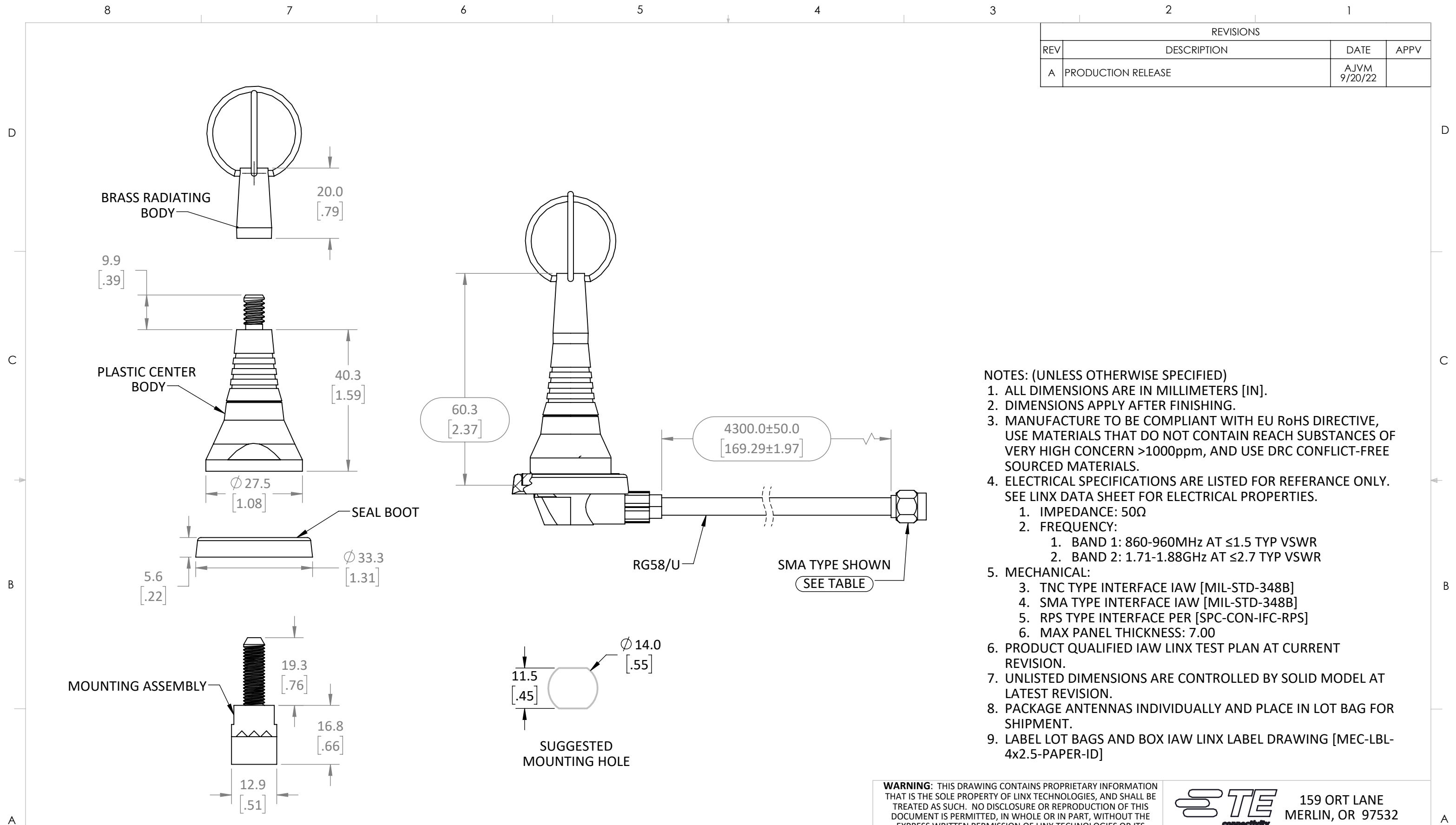


REVISIONS			
REV	DESCRIPTION	DATE	APPV
A	PRODUCTION RELEASE	AJVM 9/20/22	



- NOTES: (UNLESS OTHERWISE SPECIFIED)
1. ALL DIMENSIONS ARE IN MILLIMETERS [IN].
  2. DIMENSIONS APPLY AFTER FINISHING.
  3. MANUFACTURE TO BE COMPLIANT WITH EU RoHS DIRECTIVE, USE MATERIALS THAT DO NOT CONTAIN REACH SUBSTANCES OF VERY HIGH CONCERN >1000ppm, AND USE DRC CONFLICT-FREE SOURCED MATERIALS.
  4. ELECTRICAL SPECIFICATIONS ARE LISTED FOR REFERENCE ONLY. SEE LINX DATA SHEET FOR ELECTRICAL PROPERTIES.
    1. IMPEDANCE: 50Ω
    2. FREQUENCY:
      1. BAND 1: 860-960MHz AT ≤1.5 TYP VSWR
      2. BAND 2: 1.71-1.88GHz AT ≤2.7 TYP VSWR
  5. MECHANICAL:
    3. TNC TYPE INTERFACE IAW [MIL-STD-348B]
    4. SMA TYPE INTERFACE IAW [MIL-STD-348B]
    5. RPS TYPE INTERFACE PER [SPC-CON-IFC-RPS]
    6. MAX PANEL THICKNESS: 7.00
  6. PRODUCT QUALIFIED IAW LINX TEST PLAN AT CURRENT REVISION.
  7. UNLISTED DIMENSIONS ARE CONTROLLED BY SOLID MODEL AT LATEST REVISION.
  8. PACKAGE ANTENNAS INDIVIDUALLY AND PLACE IN LOT BAG FOR SHIPMENT.
  9. LABEL LOT BAGS AND BOX IAW LINX LABEL DRAWING [MEC-LBL-4x2.5-PAPER-ID]

LINX PART NUMBER	CONNECTOR
ANT-DB1-RMT-SMA	SMA
ANT-DB1-RMT-RPS	RP-SMA
ANT-DB1-RMT-TNC	TNC

**WARNING:** THIS DRAWING CONTAINS PROPRIETARY INFORMATION THAT IS THE SOLE PROPERTY OF LINX TECHNOLOGIES, AND SHALL BE TREATED AS SUCH. NO DISCLOSURE OR REPRODUCTION OF THIS DOCUMENT IS PERMITTED, IN WHOLE OR IN PART, WITHOUT THE EXPRESS WRITTEN PERMISSION OF LINX TECHNOLOGIES OR ITS DESIGNATED AGENTS.

**STE** 159 ORT LANE  
MERLIN, OR 97532  
connectivity

MATERIAL:	INTERPRET DIMENSIONS AND TOLERANCES PER ASME Y14.5.	PROJECTION: 
WEIGHT:	.X ±2.0 .XX ±1.00 .XXX ±.500	
FINISH:	ANGLES: ±1° SURFACE:	
DRAWN:	DT:	
ENGR:	DT:	

TITLE: <b>TRUNK/ROOF MOUNT "TECHNO" STUB ANTENNA</b>		
SIZE <b>B</b>	DWG. NO. C-ANT-DB1-RMT-xxx	REV <b>A</b>
SCALE: 1:1	DO NOT SCALE DRAWING	SHEET 1 OF 1