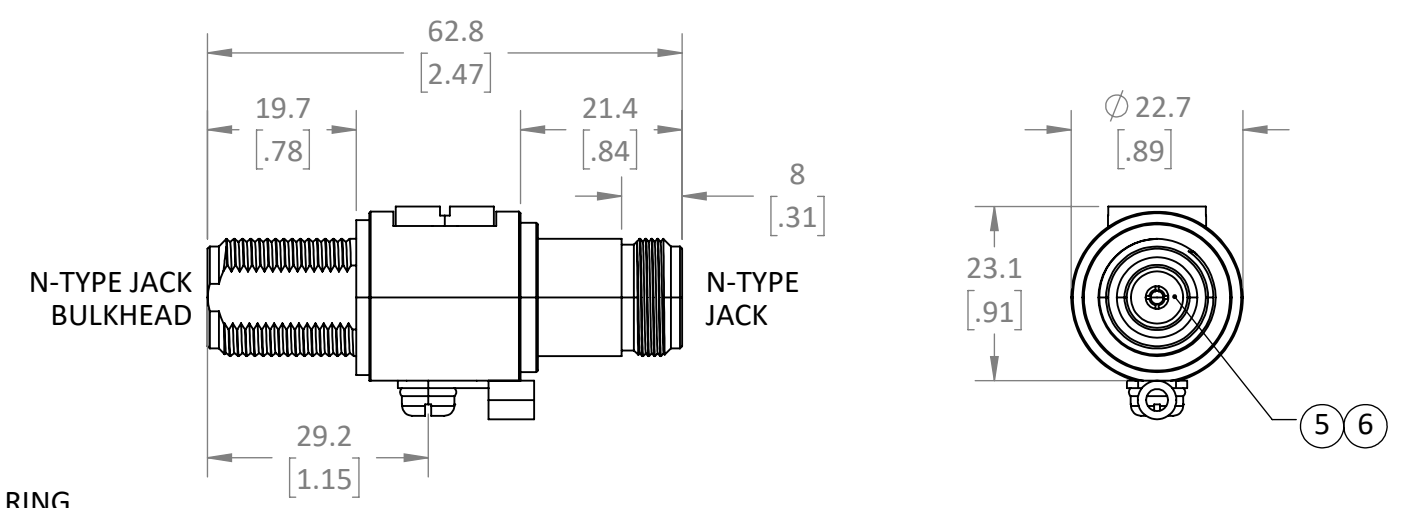
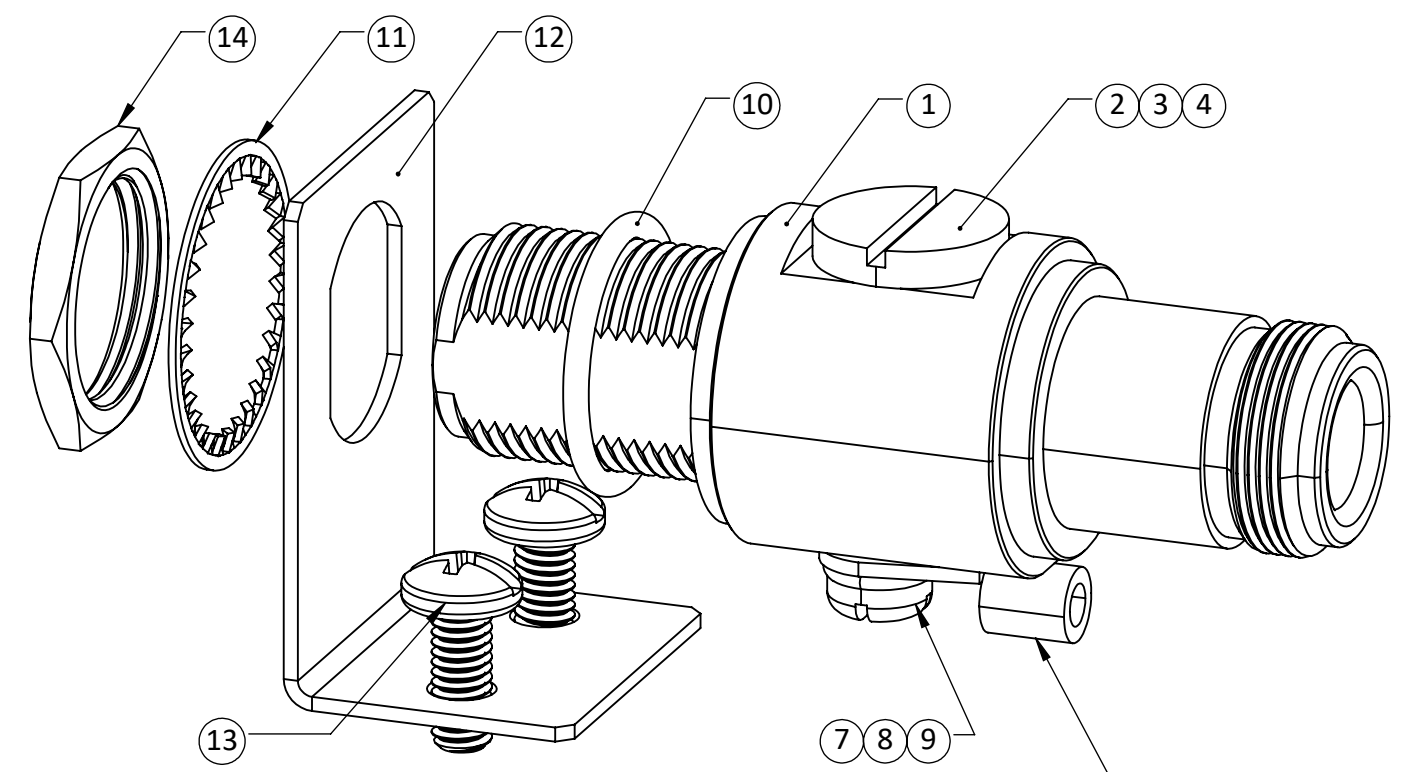
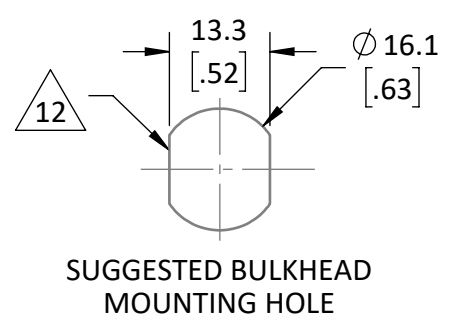


REVISIONS			
REV	DESCRIPTION	DATE	APPV
A	PRODUCTION RELEASE	JHAGER 9/21/21	



UN-INSULATED CRIMP RING
⑨ FOR ARRESTOR PATH
GROUNDING WIRE 12awg
RECOMMENDED



NOTES: (UNLESS OTHERWISE SPECIFIED)

1. ALL DIMENSIONS ARE IN MILLIMETERS [IN].
2. DIMENSIONS APPLY AFTER FINISHING.
3. MANUFACTURE TO BE COMPLIANT WITH EU RoHS DIRECTIVE, USE MATERIALS THAT DO NOT CONTAIN REACH SUBSTANCES OF VERY HIGH CONCERN >1000ppm, AND USE DRC CONFLICT-FREE SOURCED MATERIALS.
4. IMPEDANCE: 50Ω
5. FREQUENCY RANGE: DC~6GHz [PASS THROUGH]
6. INSERTION LOSS:
 1. .11dB @ 2.4GHz
 2. .18dB @ 6GHz
7. VSWR: 1.0 @ 2.4GHz / 6GHz
8. FUSE CHARACTERISTICS:
 1. DC SPARK OVER: 230V
 2. IMPULSE DISCHARGE: 10KA (WAVE 8/20 uS)
 3. 5 TIMES EACH SIDE
 4. REPLACE TUBE AFTER 5 YEARS MAX
9. INTERFACE N-TYPE JACK IAW MIL-STD-348B
10. BULKHEAD MAXIMUM THICKNESS 6.2mm
11. TORQUE BULKHEAD SCREW TO 5in/Lbs MAX. COMPRESS GASKET AGAINST BULKHEAD.
12. BREAK AND DEBURR ALL SHARP EDGES.
13. DURABILITY 500 CYCLES MINIMUM
14. DESIGNED TO MEET IP67 INGRESS AND ENVIRONMENTAL PERFORMANCE IAW MIL-STD-202
15. SEALED TO IP67 STANDARD

ITEM	QTY	DESCRIPTION
1	1	BODY ASY, ARR, NIC/BRAS,
2	1	CAP, ARR FUSE, NIC/BRAS
3	1	GASK, FUS-CAP, SIL, RED
4	1	FUSE, SURGE, GAS-TUBE, 3R230
5	2	INSULATOR, PTFE, WHITE
6	1	PIN, FM-FM, GOLD/BeCu,
7	1	PHP, 10-32UNF-2BX.25in, CRES
8	1	WASHE, SPLIT-LOC, CRES
9	1	RING, CRIMP, 5.5-6mm X 12-14awg, NON INSUL, TIN/COPPER
10	1	GASK, BLKHD, O-RING, SIL, 16mm X 1.5dia, BLAC [SHIP LOOSE]
11	1	WASHE, TOOTH, 16mmX.5mm [SHIP LOOSE]
12	1	BRACK, MOUNTING, ANGLE, ALU, ANO, CCLE [SHIP LOOSE]
13	2	SCREW, PHP, M4-.7 X 10mm CRES [SHIP LOOSE]
14	1	NUT, HEX, 19mm X 2.6THK, 5/8-24-UNEF, NIC/BRAS [SHIP LOOSE]

WARNING: THIS DRAWING CONTAINS PROPRIETARY INFORMATION THAT IS THE SOLE PROPERTY OF LINX TECHNOLOGIES, AND SHALL BE TREATED AS SUCH. NO DISCLOSURE OR REPRODUCTION OF THIS DOCUMENT IS PERMITTED, IN WHOLE OR IN PART, WITHOUT THE EXPRESS WRITTEN PERMISSION OF LINX TECHNOLOGIES OR ITS DESIGNATED AGENTS.

STE 159 ORT LANE
connectivity MERLIN, OR 97532

MATERIAL: BRASS BeCu	INTERPRET DIMENSIONS AND TOLERANCES PER ASME Y14.5. .X ±.2 .XX ±.10 .XXX ±.050	PROJECTION: [Symbol]	TITLE: N-JACK BULKHEAD TO N-JACK LIGHTNING PROTECTOR
WEIGHT:	FINISH: NICKEL GOLD	DRAWN: JHAGER ENGR: DASARATHAN	DT: 9/21/21 DT: 10-JUL-08
SCALE: 1:1		DO NOT SCALE DRAWING	REV A
SHEET 1 OF 1		LDCDFB_B	