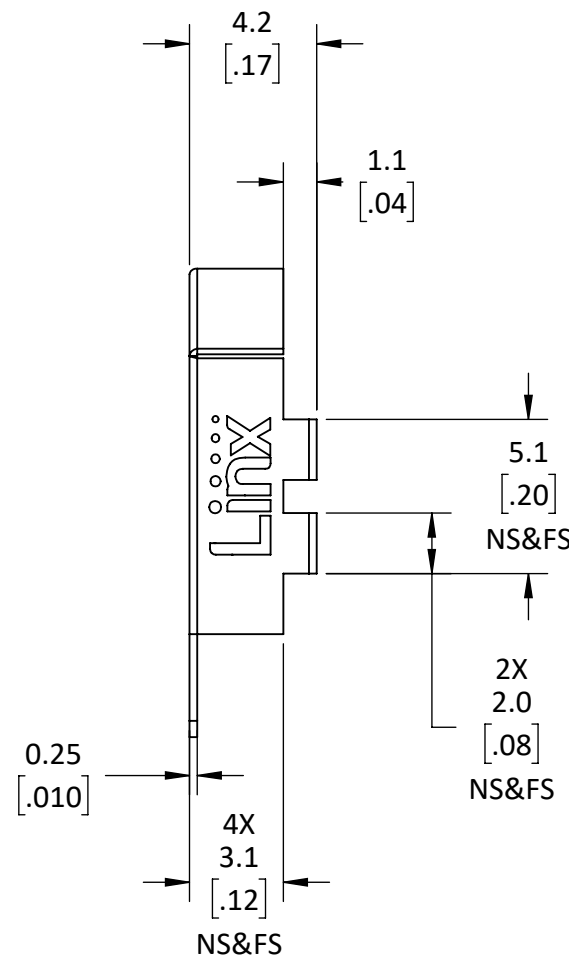
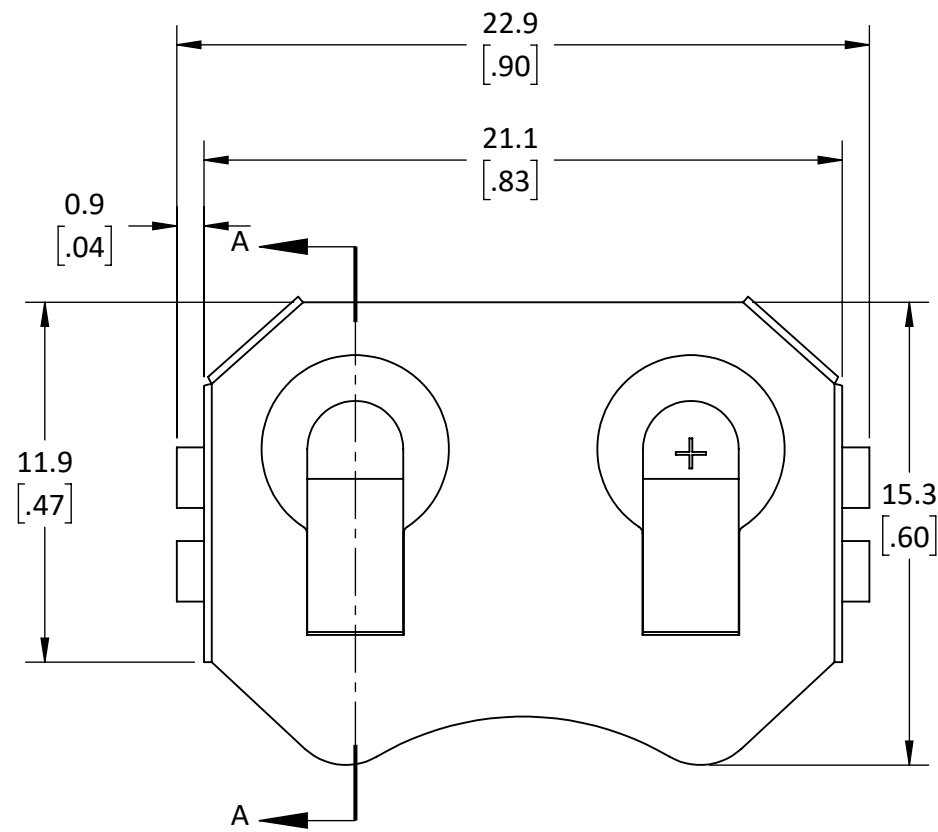
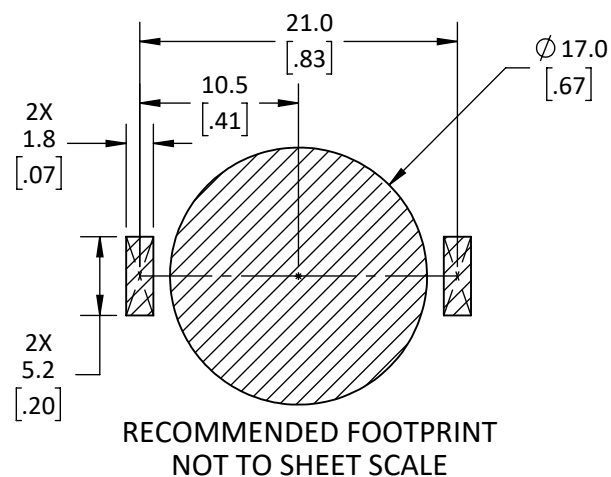
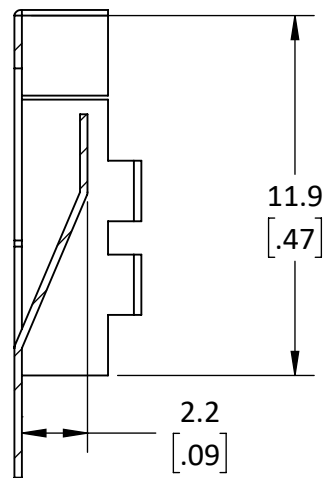


REVISIONS			
REV	DESCRIPTION	DATE	APPV
A	PRODUCTION RELEASE	SHOGAN 2/6/12	SH
B	UPDATED AND REPOSITIONED LOGO	SHOGAN 6/26/12	SH
C	UPDATED TO ADD TAPE AND REEL SHEET2	CLEWIS 7/23/18	SH
D	RE-MODELED BATTERY HOLDER. UPDATED TAPE AND REEL TO REMOVE SHEET 2.	JHAGER 8/12/2021	SH
E	UPDATED 7.6 DIMENSION WAS 8.6, AND UPDATED 2.2 DIMENSION WAS 1.9 TO INCREASE BATTERY RETENTION.	AJVM 12/7/2022	EB
E1	UPDATED PCB LAYOUT FOR BETTER PRODUCT FIT AND PLACEMENT.	11/15/23	EB

DWG NO BAT-HLD-001-XXX  
THIS DRAWING IS A CONTROLLED DOCUMENT



- ALL DIMENSIONS ARE IN MILLIMETERS [IN].
- DIMENSIONS APPLY AFTER FINISHING.
- MANUFACTURE TO BE COMPLIANT WITH EU RoHS DIRECTIVE, USE MATERIALS THAT DO NOT CONTAIN REACH SUBSTANCES OF VERY HIGH CONCERN >1000ppm, AND USE DRC CONFLICT-FREE SOURCED MATERIALS.
- USE MINIMUM BEND RADIUS FOR MATERIAL TYPE AND TEMPER. NO CRAZING ACCEPTABLE ON BENT PARTS.
- PACKAGE PER ORDER AND LABEL BAG, BOX, AND REEL IAW LABEL DRAWING PROVIDED.
- TAPE AND REEL IAW ASTM EIA-481-B.
  - PITCH: 20mm
  - TAPE SIZE: 32mm
  - EMBOSSED CARRIER
- FINISH TO BE BRIGHT NICKEL, FREE OF CONTAMINATES AND UNDAMAGED BY REFLOW TEMPERATURES.
- UNLISTED GEOMETRY CONTROLLED BY MODEL AT LATEST REVISION.



PART NUMBER	PACKAGING
BAT-HLD-001	BULK
BAT-HLD-001-NO	BULK
BAT-HLD-001-TR	6

THIS DRAWING IS A CONTROLLED DOCUMENT.		DWN B.MURPHY 5/25/12	TE Connectivity	
DIMENSIONS: mm		CHK SHOGAN 5/25/12		
TOLERANCES UNLESS OTHERWISE SPECIFIED:		APVD HARRY C 5/25/12	<b>BATTERY HOLDER 2032 SURFACE MOUNT</b>	
0 PLC ± 1.5 1 PLC ± 0.2 2 PLC ± 0.10 3 PLC 4 PLC ANGLES ± 30°		PRODUCT SPEC 108-1691		
MATERIAL PHOSPHOR BRONZE #C-5191 T=.25mm		FINISH NICKEL	APPLICATION SPEC 501-372	
		WEIGHT 0.761 g	SIZE A3	CAGE CODE 00779
CUSTOMER DRAWING		DRAWING NO C-BAT-HLD-001-XXX		RESTRICTED TO -
		SCALE 4:1	SHEET 1 OF 1	REV E1