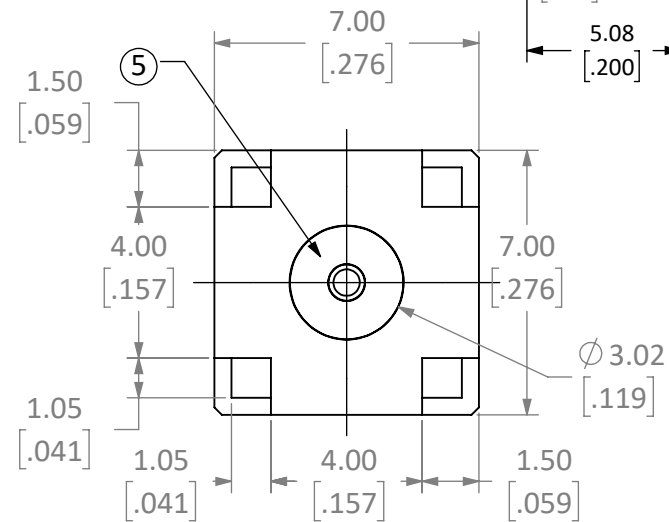
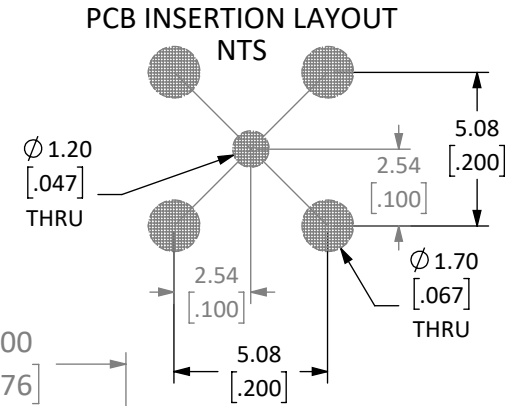
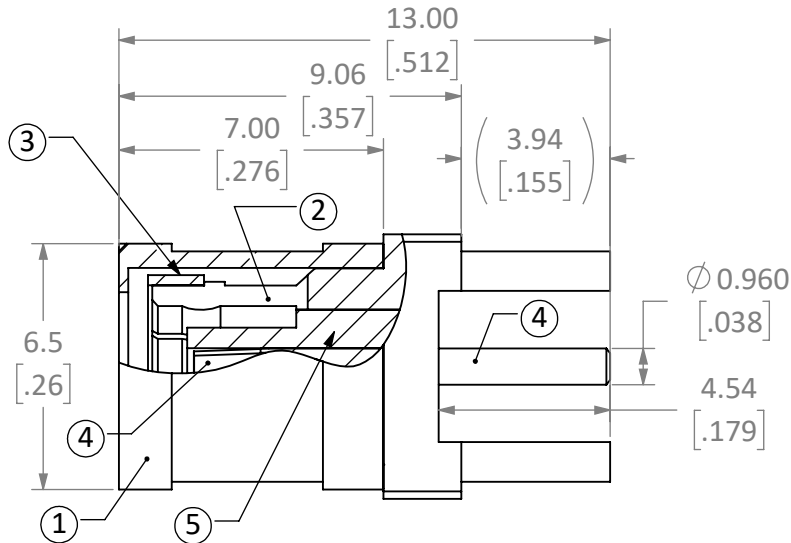


BILL OF MATERIALS		
ITEM	QTY.	DESCRIPTION
1	1	OUTER CONTACT COVER BODY BRASS/GOLD
2	1	OUTER CONTACT BODY FINGERS BRASS/GOLD
3	1	OUTER CONTACT KEEP RING BRASS/GOLD
4	1	CENTER PIN CONTACT BeCu/GOLD
5	1	CENTER CONDUCTOR INSULATION PTFE

REVISIONS			
REV	DESCRIPTION	DATE	APPV



**NOTES: (UNLESS OTHERWISE SPECIFIED)**

- ALL DIMENSIONS ARE IN MILLIMETERS [IN].
- DIMENSIONS APPLY AFTER FINISHING.
- MANUFACTURE TO BE COMPLIANT WITH EU RoHS DIRECTIVE, USE MATERIALS THAT DO NOT CONTAIN REACH SUBSTANCES OF VERY HIGH CONCERN >1000ppm, AND USE DRC CONFLICT-FREE SOURCED MATERIALS.
- IMPEDANCE: 50Ω
- FREQUENCY RANGE: 0-4GHz
- VSWR: 1.3 dBm MAX
- INTERFACE IAW MIL-STD-348A
- OPERATING TEMP: -65° - 165°C
- DURABILITY: 500 Min.

**WARNING:** THIS DRAWING CONTAINS PROPRIETARY INFORMATION THAT IS THE SOLE PROPERTY OF LINX TECHNOLOGIES, AND SHALL BE TREATED AS SUCH. NO DISCLOSURE OR REPRODUCTION OF THIS DOCUMENT IS PERMITTED, IN WHOLE OR IN PART, WITHOUT THE EXPRESS WRITTEN PERMISSION OF LINX TECHNOLOGIES OR ITS DESIGNATED AGENTS.

MATERIAL:	BRASS BeCu	FINISH: GOLD GOLD	INTERPRET DIMENSIONS AND TOLERANCES PER ASME Y14.5. X ±2.0 .XX ±1.00 .XXX ±.500	ANGLES: ±1° SURFACE: √	PROJECTION: 		
DRAWN:	JHAGER	DT:	11/16/20	ENGR:	DASARATHAN	DT:	10-JUL-08



159 ORT LANE  
MERLIN, OR 97532

TITLE:  
**CON SMB FEM THRU GOLD**

SIZE	AW	DWG. NO.	C-CONSMB006-G	REV	1
SCALE: 5:1		DO NOT SCALE DRAWING		SHEET 1 OF 1	