

6

5

4

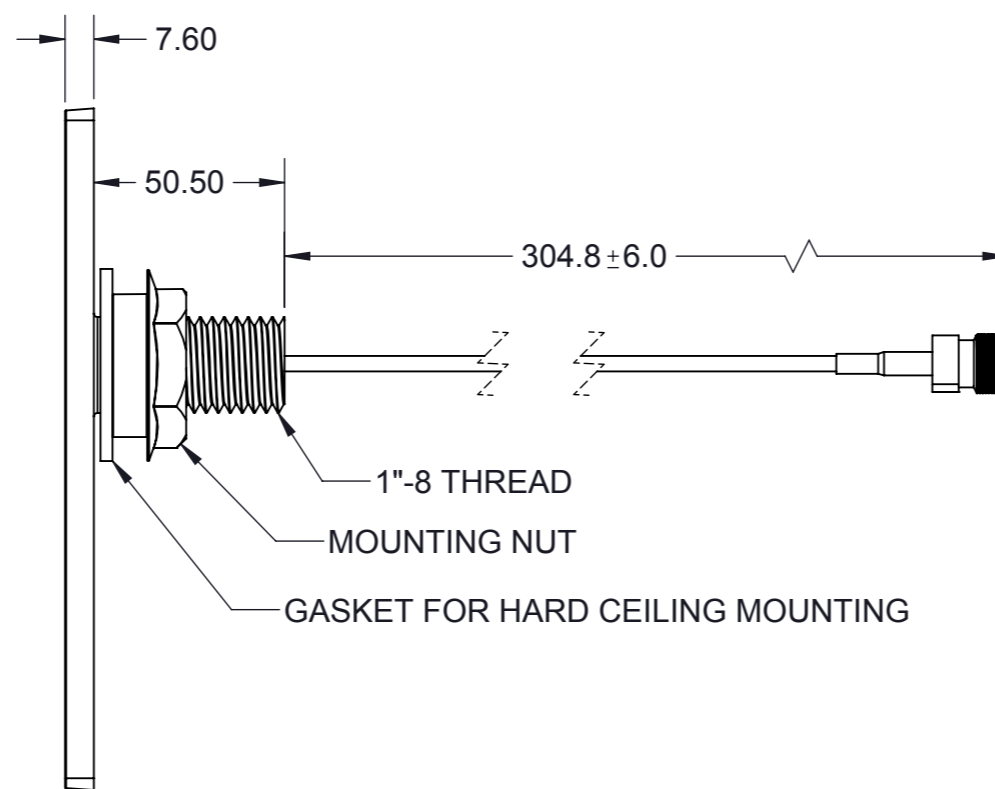
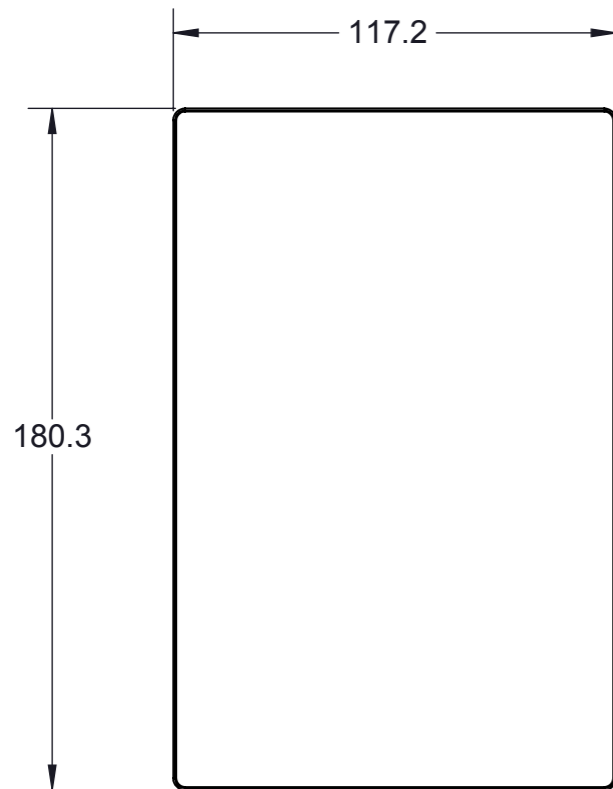
3

2

1

THIS DRAWING IS UNPUBLISHED.	RELEASED FOR PUBLICATION	-,-
© Copyright 2022 TE Connectivity Ltd.		ALL RIGHTS RESERVED.

REVISIONS					
REV.	ECN#	ZONE	DESCRIPTION	CHANGED BY/DATE	APPROVED BY/DATE
F01	ECN-IAS-05333		NEW RELEASE	CYH / 04MAY16	WTN / 04MAY16
F02	ECN-IAS-05523		UPDATE PEAK GAIN AND VSWR; CHANGE HOUSING MATERIAL FROM PC+ABS TO PC	CYH / 17JUN16	WTN / 17JUN16



Parameter	Performance
TE P/N Part Number	CFS69383P-30NF
Frequency	698-960MHz 1350-1550MHz 1690-2700MHz 3300-3800MHz
Peak Gain (Typical/Max) (dBi)	3.5/4.0 @ 698-806MHz 3.9/4.0 @ 824-894MHz 4.8/5.5 @ 880-960MHz 4.8/5.3 @ 1350-1550MHz 4.4/4.7 @ 1690-1880MHz 4.5/4.9 @ 1850-1990MHz 4.4/4.9 @ 1910-2170MHz 4.9/5.2 @ 2300-2500MHz 5.4/5.6 @ 2500-2700MHz 4.8/5.3 @ 3300-3800MHz
Polarization	Horizontal
VSWR, Max	<1.8:1 (600-960MHz 1350-1550MHz 1690-2700MHz) <2.0:1 (3300-3800MHz)
PIM (3rd Order, 2x20W), Max	<-150dBc
Azimuth Beam Width	360°, Omnidirectional
Nominal Impedance	50 Ohm
Max Power (Ambient 25°C/77°F)	50W
Weight	178g(0.393lbs) without mounting kit
Radome	PC, UL94-V0
Color	White
Operating Temperature	-30 °C ~ +70 °C
Storage Temperature	-40 °C ~ +85 °C
RoHS Compliance	Yes
RF Connector	Type N, Female
Cable Length	304.8mm(1ft)

MATERIAL:		THIRD ANGLE PROJECTION	
FINISH:		DO NOT SCALE DRAWING	
APPROVALS		INTERPRET DIMENSIONING AND TOLERANCING IN ACCORDANCE WITH ASME Y14.5M-2009	
DRAWN BY	DATE	TOLERANCES UNLESS OTHERWISE SPECIFIED	
CY HANG	29APR16	DIMENSIONS ARE IN MILLIMETERS	
ELEC. ENG.	DATE	ANGLE: ±30'	
KJ NG	29APR16	0 PLACE DECIMAL: ±0.5	
MECH. ENG.	DATE	1 PLACE DECIMAL: ±0.25	
CY HANG	29APR16	2 PLACE DECIMAL: ±0.13	
MFG./OPS.	DATE	SURFACE ROUGHNESS 1.6/√	
HE KHOR	29APR16		



TITLE:

CFS69383P-30NF

SIZE: A3 **DWG. NO.:** CFS69383P-30NFMO **REV:** F02

SCALE: 1:5 **PREVIOUS#:** **SHEET 1 OF 1**

6

5

4

3

2

1