

6

5

4

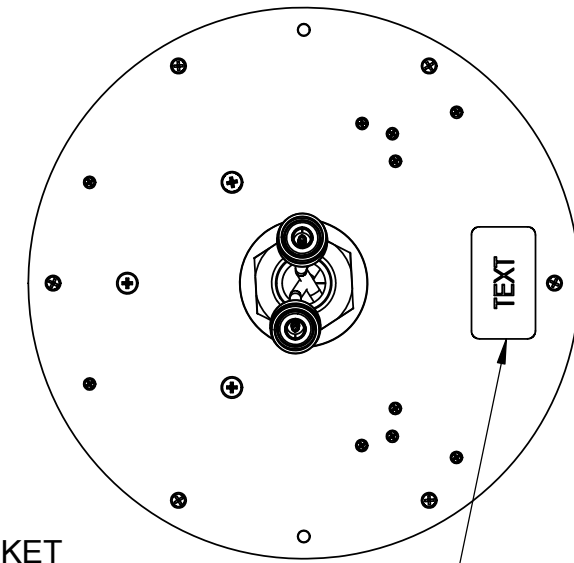
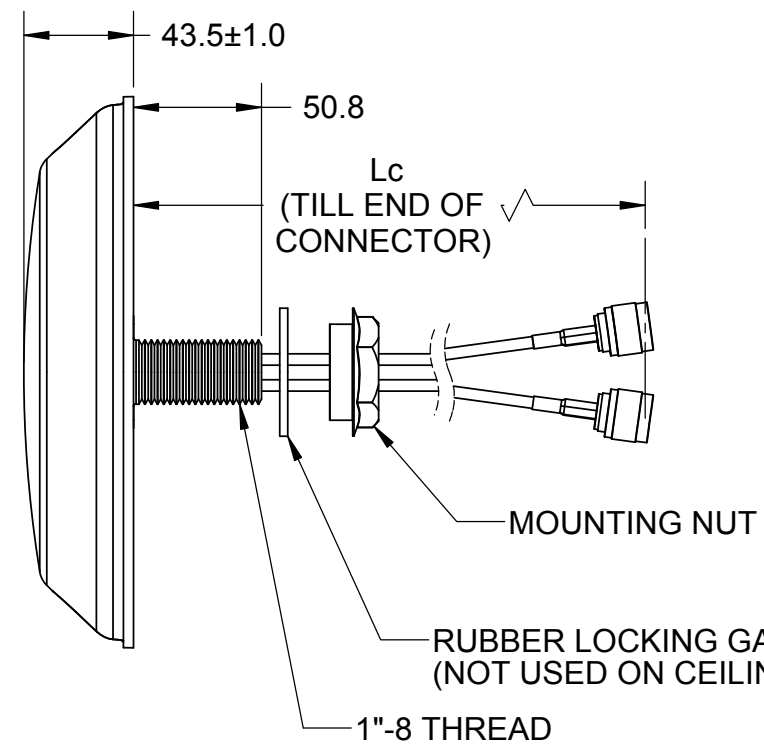
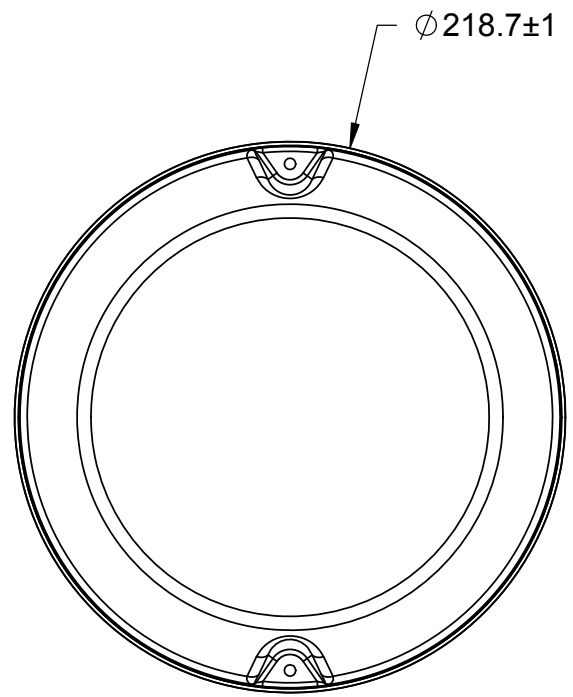
3

2

1

THIS DRAWING IS UNPUBLISHED.	RELEASED FOR PUBLICATION	-,-
© Copyright 2022 TE Connectivity Ltd.	ALL RIGHTS RESERVED.	

REVISIONS					
REV.	ECR#	ZONE	DESCRIPTION	CHANGED BY/DATE	APPROVED BY/DATE
AB	CRN#1017		CHANGED POWER INPUT: 50 Watts was 20 Watts, REMOVED EFFICIENCY SPEC & ADDED ISOLATION SPEC AND OPERATING TEMPERATURE RANGE.	WT NG 05-22-13	HANG 05-22-13
AC	ECN-IAS-03301		UPDATED SPECIFICATION TABLE	WT NG 31OCT14	HANG 31OCT14



TYPICAL ELECTRICAL SPECIFICATIONS	
Application	MIMO In-Building 2 Elements
Frequency Range	698 MHz-960MHz 1710MHz -2700 MHz
Gain	3.35 dBi @ 700 MHz Band 4.4 dBi @ 800 / 900 MHz Band 5.0 dBi @ 1800/1900/UMTS MHz Band 5.6 dBi @ 2400/ 2500 MHz Band
Isolation	<-20dB @ 700 / 800 MHz Band <-17dB @ 900 MHz Band <-20dB@ 1800/1900/UMTS MHz Band <-20dB @ 2400/ 2500 MHz Band
Azimuth Beam Width	Omnidirectional
Polarization	Linear H/V for each radiator
Nominal Impedance	50 Ohms
Operating Temperature Range	-30°C ~ +70°C
VSWR	2:1 max across the bands
Maximum Power Input	50 Watts (ambient temp of 25°C)
RF Connector	2X N FEMALE
Pigtail Length, Lc (mm)	300±18
Cable type	RG58 (Plenum Rated)
Weigth	0.42kg
Radome	White, ASA, UV stable, UL94 HB
RoHs	Compliant

MATERIAL: N/A		
FINISH: N/A		
APPROVALS		DATE
DRAWN BY	WT NG	09-09-11
PROJ. ENG.	LL TEOH	09-09-11
APPL. MECH.	GJ CHIN	09-09-11
MFG.	CH FONG	09-09-11

THIRD ANGLE PROJECTION  
  
 DO NOT SCALE DRAWING  
 INTERPRET DIMENSIONING AND TOLERANCING IN ACCORDANCE WITH ASME Y14.5M-2009  
 TOLERANCES UNLESS OTHERWISE SPECIFIED  
 DIMENSIONS ARE IN MILLIMETERS  
 ANGLE: ±30'  
 0 PLACE DECIMAL: ±0.5  
 1 PLACE DECIMAL: ±0.25  
 2 PLACE DECIMAL: ±0.13  
 SURFACE ROUGHNESS 1.6/√

**TE**  
connectivity

TITLE:  
**CMD69273-30NF**

SIZE <b>A3</b>	DWG. NO. <b>CMD69273-30NFMO</b>	REV <b>AC</b>
SCALE: 1:5 PREVIOUS#		SHEET 1 OF 1

6

5

4

3

2

1