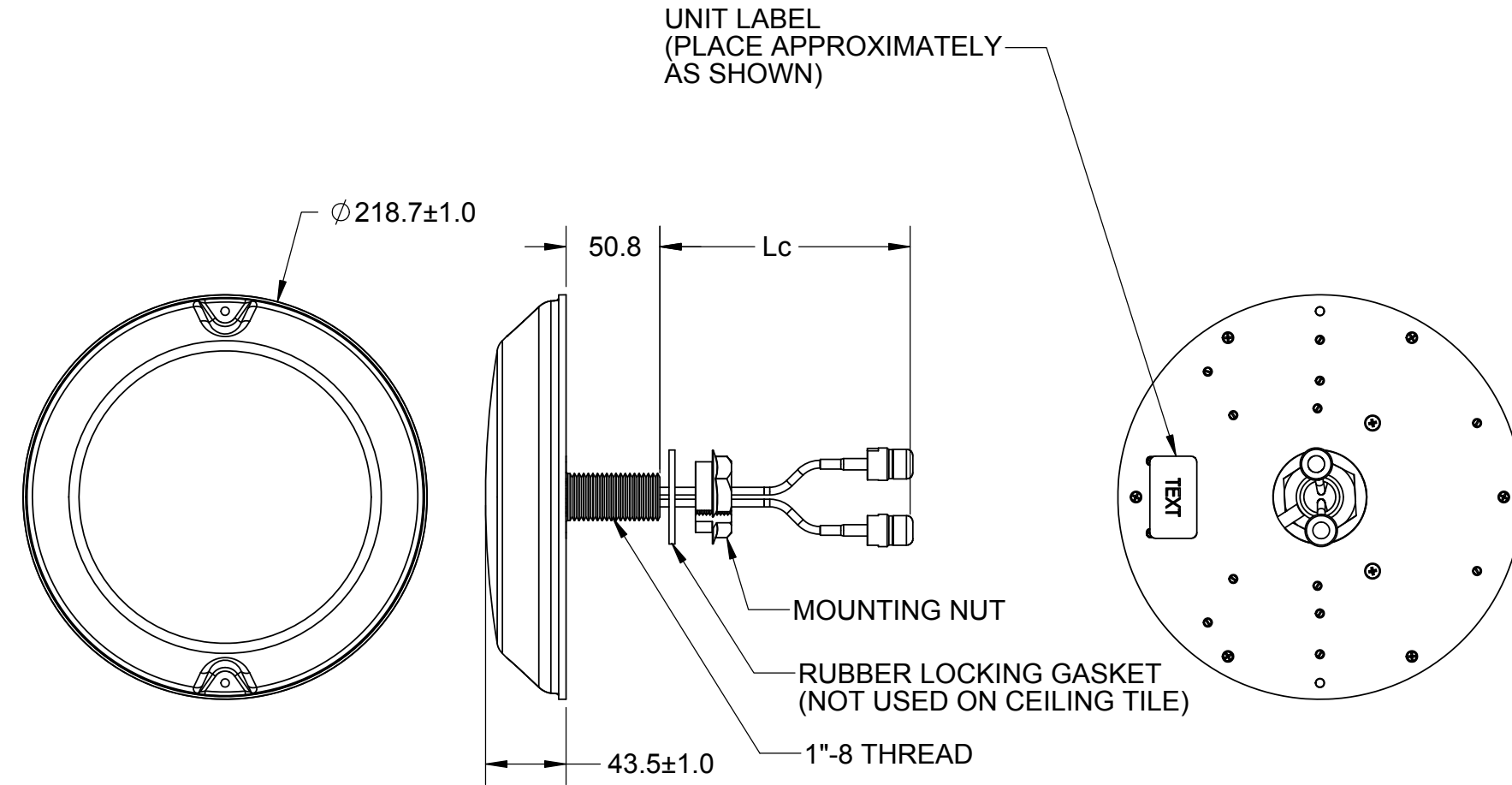

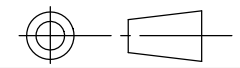


THIS DRAWING IS UNPUBLISHED.	RELEASED FOR PUBLICATION	-,-
© Copyright 2022 TE Connectivity Ltd.	ALL RIGHTS RESERVED.	

REVISIONS					
REV.	ECR#	ZONE	DESCRIPTION	CHANGED BY/DATE	APPROVED BY/DATE
AA			PRODUCTION RELEASE	WT NG 11-20-13	HANG 11-20-13



Parameter	Performance
TE Part Number	CMD69273P-46NF
Antenna Type	MIMO Omni
Connector Type	N-Female (2X)
Cable type	Semi flexible 402 cable
Pigtail Length, Lc	460mm +16/-8.5mm
Operating Frequency Range	698-960MHz / 1710-2700MHz
Gain (dBi)	3.1 (typical), 3.9 (max) @ 700 Band
	3.1 (typical), 3.8 (max) @ 800 Band
	2.8 (typical), 3.5 (max) @ 900 Band
	5.9 (typical), 6.8 (max) @ 1800 Band
	4.5 (typical), 5.1 (max) @ 1900 Band
	4.3 (typical), 4.7 (max) @ 2100 Band
	5.9 (typical), 6.3 (max) @ 2300 Band
	6.9 (typical), 7.4 (max) @ 2600Band
Azimuth Beam Width (deg)	Omni directional
VSWR Max	2.0:1
Port to Port Isolation	<-17dB @ 698-960MHz
	<-20dB @ 1710-2700MHz
Polarization	Linear, Omnidirectional
Max Power (watts)	50w (ambient temp of 25°C)
PIM, 3rd order, 2X20W	<-150dBc
Antenna Weight	0.41kg
Storage Temperature Range (°C)	-40 to +85
Operational Temperature Range (°C)	-30 to +70
Outdoor Rated	No
Radome	PC/ABS - V0, White
RoHS	Yes

MATERIAL: N/A		THIRD ANGLE PROJECTION					
FINISH: N/A		 DO NOT SCALE DRAWING					
APPROVALS		DATE		TITLE: <h1 style="text-align: center;">CMD69273P-46NF</h1>			
DRAWN BY	WT NG	07-16-13					
PROJ. ENG.	LL TEOH	07-16-13					
APPL. MECH.	CY HANG	07-16-13					
MFG.	CH FONG	07-16-13					
				INTERPRET DIMENSIONING AND TOLERANCING IN ACCORDANCE WITH ASME Y14.5M-2009 TOLERANCES UNLESS OTHERWISE SPECIFIED DIMENSIONS ARE IN MILLIMETERS			
				ANGLE: ±30' 0 PLACE DECIMAL: ±0.5 1 PLACE DECIMAL: ±0.25 2 PLACE DECIMAL: ±0.13 SURFACE ROUGHNESS 1.6/√	SIZE A3	DWG. NO. CMD69273P-46NFMO	REV AA
				SCALE: 1:3.5	PREVIOUS#	SHEET 1 OF 1	