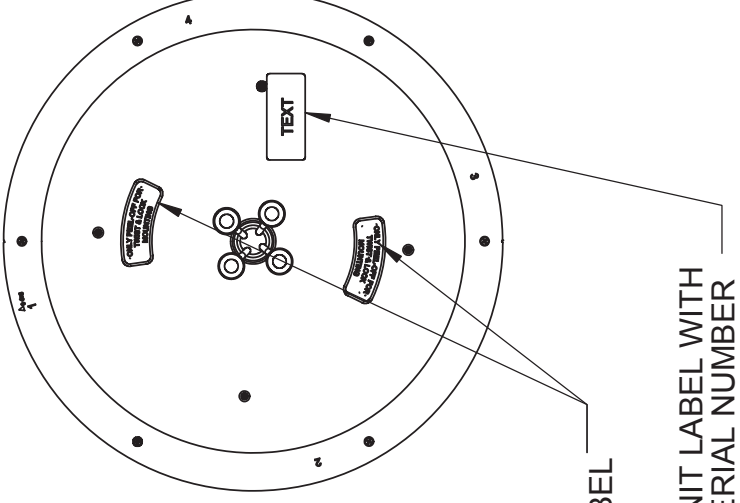
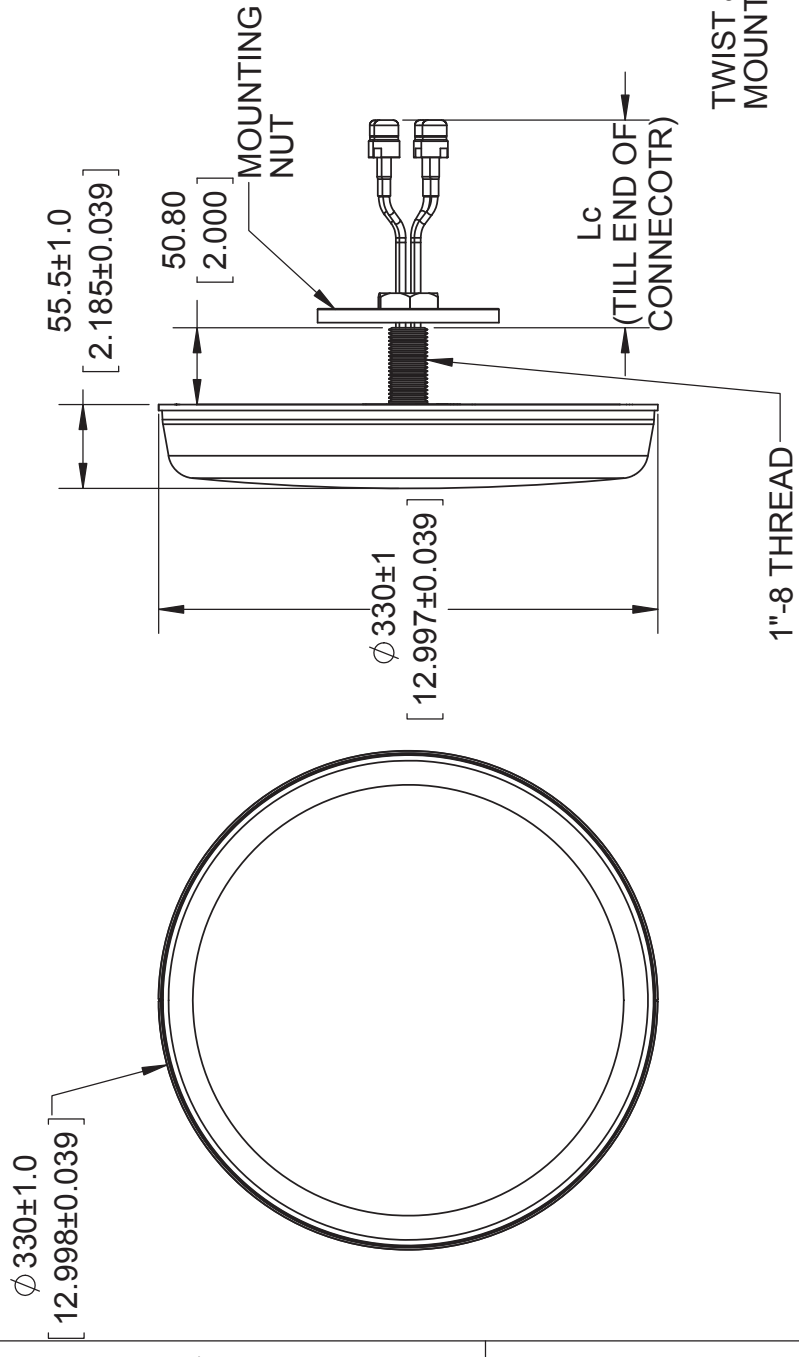


THIS DRAWING IS UNPUBLISHED.
 © Copyright 2022 TE Connectivity Ltd.
 RELEASED FOR PUBLICATION
 ALL RIGHTS RESERVED.

REVISIONS

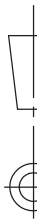
REV.	ECR#	ZONE	DESCRIPTION	CHANGED BY/DATE	APPROVED BY/DATE
F01	ECN-IAS-03889		PRODUCTION RELEASE	WT NG 26MAR15	HANG 26MAR15



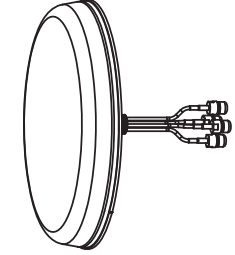
Parameter	Performance
TE Part Number	CMQ69273-30NF
Antenna Type	MIMO Omni
Connector Type	N-Female (4X)
Cable type	RG58
Cable Length (cm)	300mm ± 15mm [11.8109±0.5905 inch]
Operating Frequency Range	698-960MHz / 1710-2700MHz
Gain (dBi)	2.9 (typical), 4.5 (max) @ 700 Band 3.5 (typical), 4.1 (max) @ 800 Band 3.2 (typical), 3.8 (max) @ 900 Band 4.4 (typical), 4.9 (max) @ 1800 Band 4.1 (typical), 4.8 (max) @ 1900 Band 3.8 (typical), 4.3 (max) @ 2100 Band 3.3 (typical), 4.1 (max) @ 2300 Band 2.8 (typical), 3.7 (max) @ 2600Band
Azimuth Beam Width (deg)	Omni directional
VSWR Max	2.0:1
Port to Port Isolation	<-15dB @ 698-960MHz <-17dB @ 1710-2700MHz
Polarization	Linear, Omnidirectional
Max Power (watts)	50w (ambient temp of 25°C)
Weight	Approximately 1.1kg [2.4250lb]
Storage Temperature Range (°C)	-40 to +85
Operational Temperature Range	-30 to +70
Outdoor Rated	No
Radome	PC/ABS, UL94-V0, UV Stable, White
RoHS	Yes

MATERIAL:

THIRD ANGLE PROJECTION



FINISH:



APPROVALS		DATE
DRAWN BY	WT NG	26MAR15
ELEC. ENG.	TY NG	26MAR15
MECH. ENG.	WT NG	26MAR15
MFG./OPS.	HE KHOR	26MAR15

DO NOT SCALE DRAWING

INTERPRET DIMENSIONING AND TOLERANCING IN ACCORDANCE WITH ASME Y14.5M-2009

TOLERANCES UNLESS OTHERWISE SPECIFIED

DIMENSIONS ARE IN MILLIMETERS

ANGLE: ±30'
 0 PLACE DECIMAL: ±0.5
 1 PLACE DECIMAL: ±0.25
 2 PLACE DECIMAL: ±0.13

SURFACE ROUGHNESS 1.6

TITLE: CMQ69273-30NF

SIZE: A3

DWG. NO. CMQ69273-30NF

REV. F01

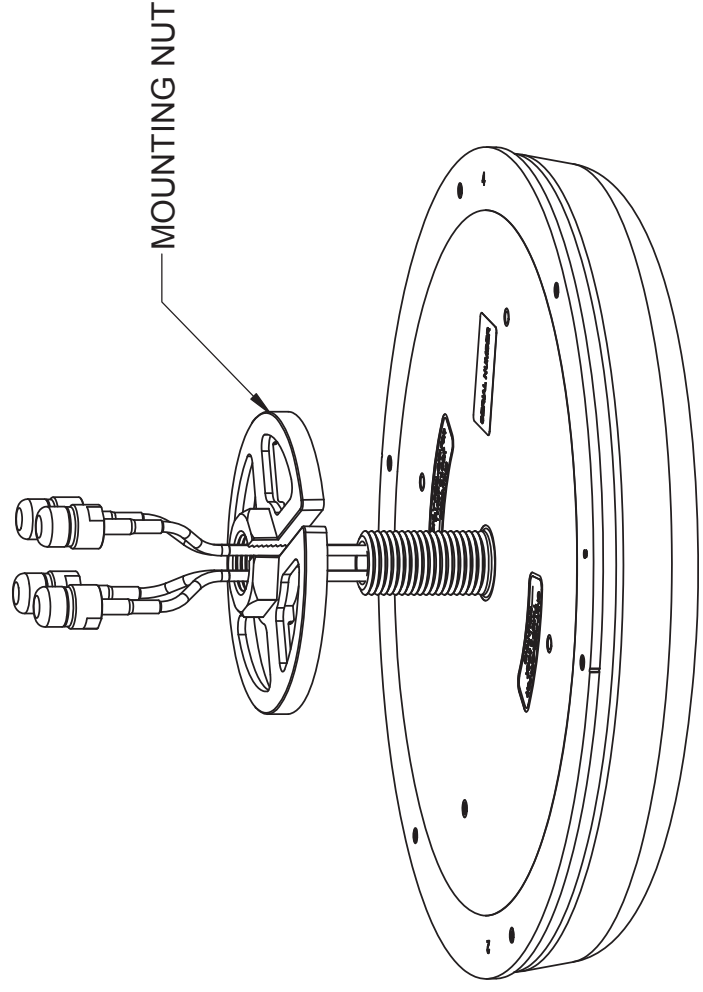
SCALE: 1:5 PREVIOUS#

SHEET 1 OF 6

STANDARD MOUNTING OPTION:

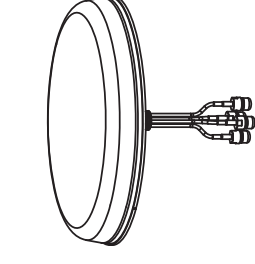
STUD MOUNTING

THIS DRAWING IS UNPUBLISHED. RELEASED FOR PUBLICATION
© Copyright 2022 TE Connectivity Ltd. ALL RIGHTS RESERVED.



SUPPORTING CABLE ABOVE
SUSPENDED CEILING
(NOT SUPPLIED)

This diagram shows the antenna base with two cables connected to it. The cables are supported by a bracket above the antenna, which is suspended from the ceiling. The antenna is shown in a perspective view, with the cables and support structure above it.



SIZE	DWG. NO.	REV
A3	CMQ69273-30NFMO	F01
SCALE: 1:5		PREVIOUS#
		2
		1

NOTE: THE MOUNTING KIT (172-00051) IS INCLUDED WITH THE ANTENNA.

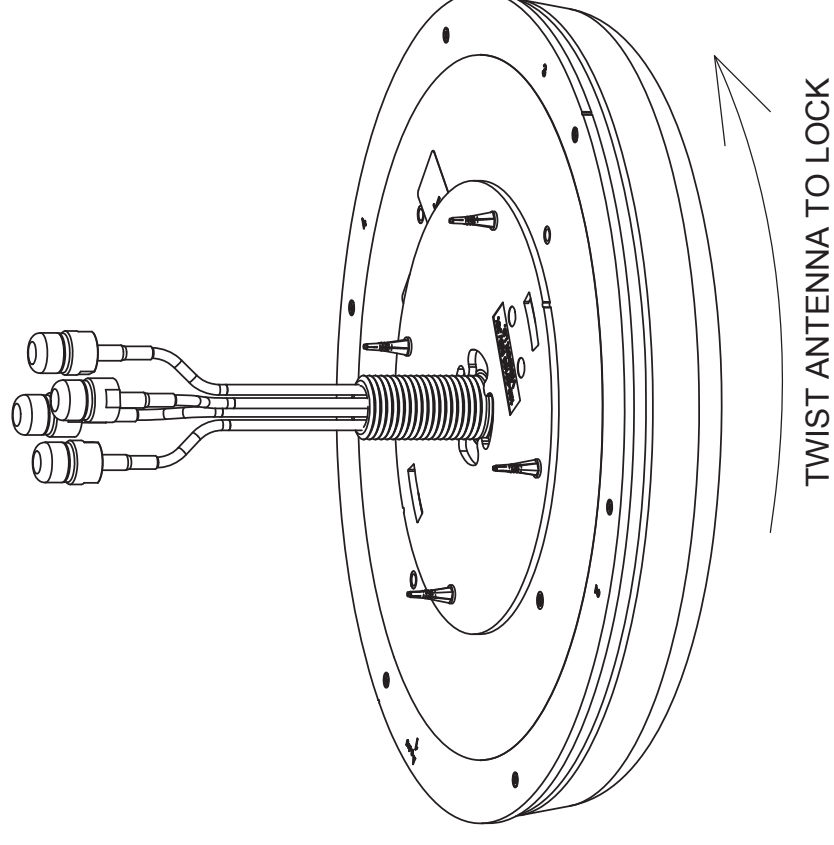
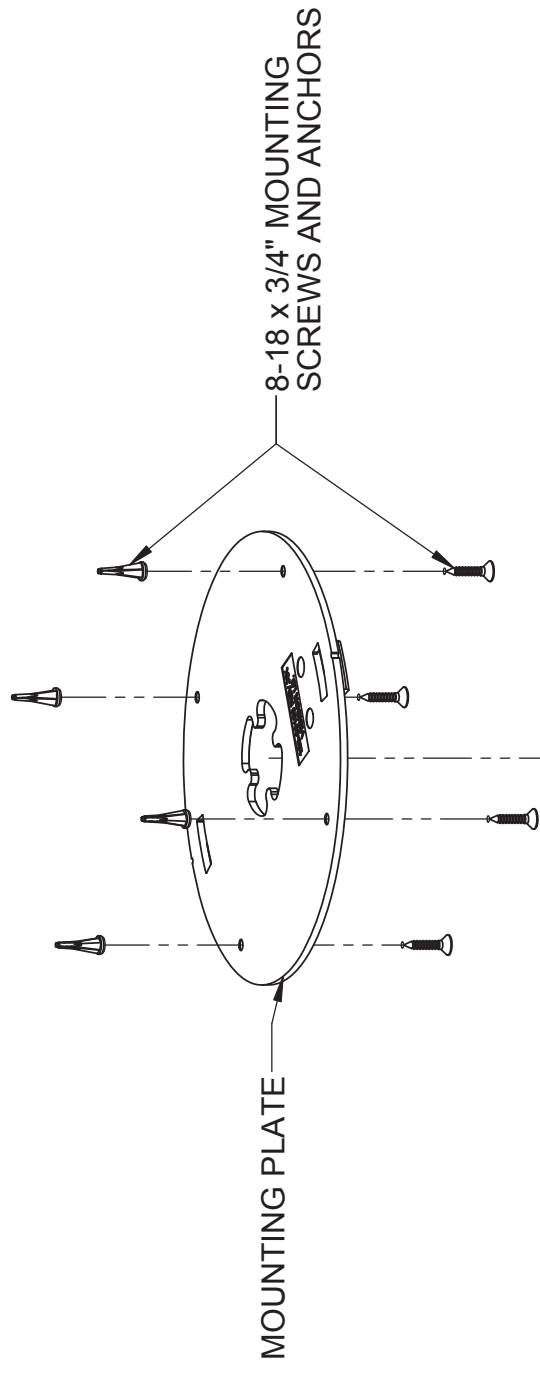
OPTIONAL MOUNTING OPTION:

TWIST & LOCK MOUNTING ON DRYWALL / SHEETROCK

Part Number: HKIT-CMx-003

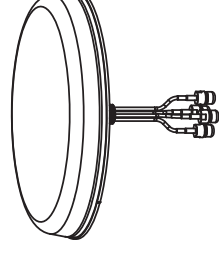
THIS DRAWING IS UNPUBLISHED.
© Copyright 2022 TE Connectivity Ltd.

RELEASED FOR PUBLICATION
ALL RIGHTS RESERVED.



INSERT THE HOOK OF MOUNTING PLATE INTO THE HOLES ON BASE PLATE AND TWIST CLOCKWISE TO LOCK.

NOTE: THE MOUNTING KIT (HKIT-CMx-003) IS **NOT INCLUDED** WITH THE ANTENNA.

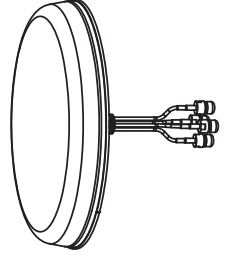
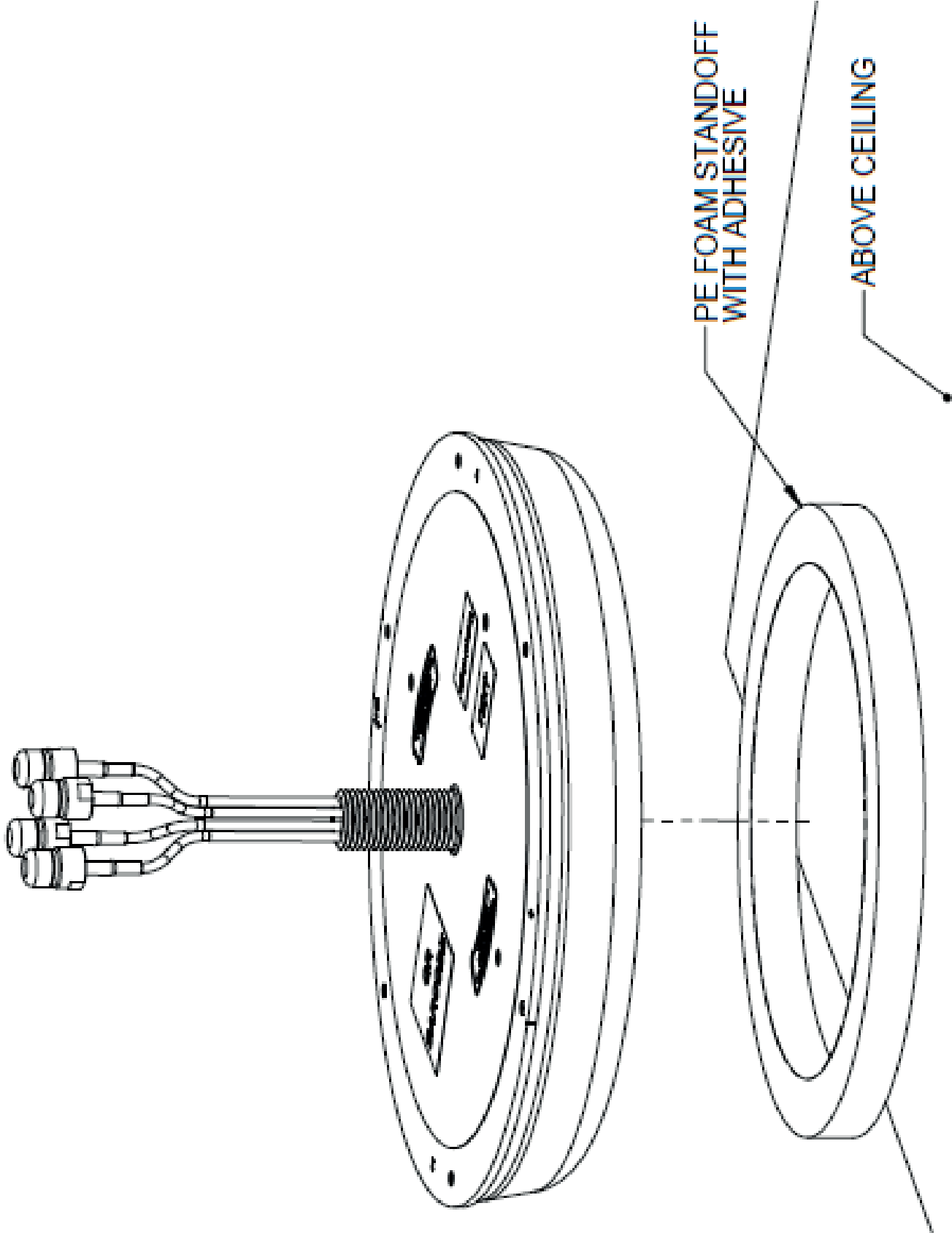


SIZE	DWG. NO.	REV
A3	CMQ69273-30NFMO	F01
SCALE: 1:5	PREVIOUS#	SHEET 3 OF 6

ABOVE CEILING MOUNTING:
PE FOAM STANDOFF (DOUBLE SIDED ADHESIVE)
Part Number: HKIT-CMx-004

THIS DRAWING IS UNPUBLISHED.
 © Copyright 2022 TE Connectivity Ltd.

RELEASED FOR PUBLICATION
 ALL RIGHTS RESERVED.



NOTE: The mounting kit (HKIT-CMx-004) is **NOT INCLUDED** with the antenna; it needs to be purchased separately.



SIZE	DWG. NO.	REV
A3	CMQ69273-30NFMO	F01
SCALE: 1:5 PREVIOUS#		SHEET 4 OF 6

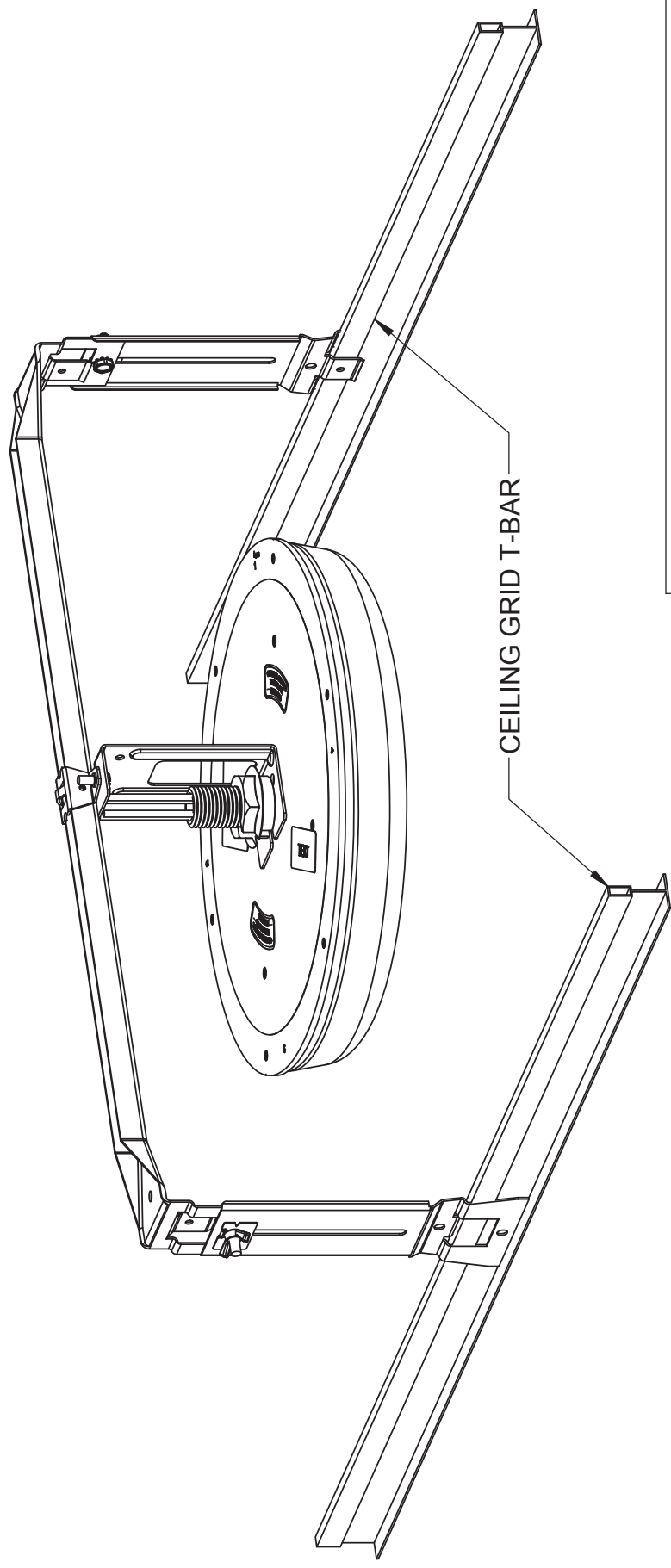
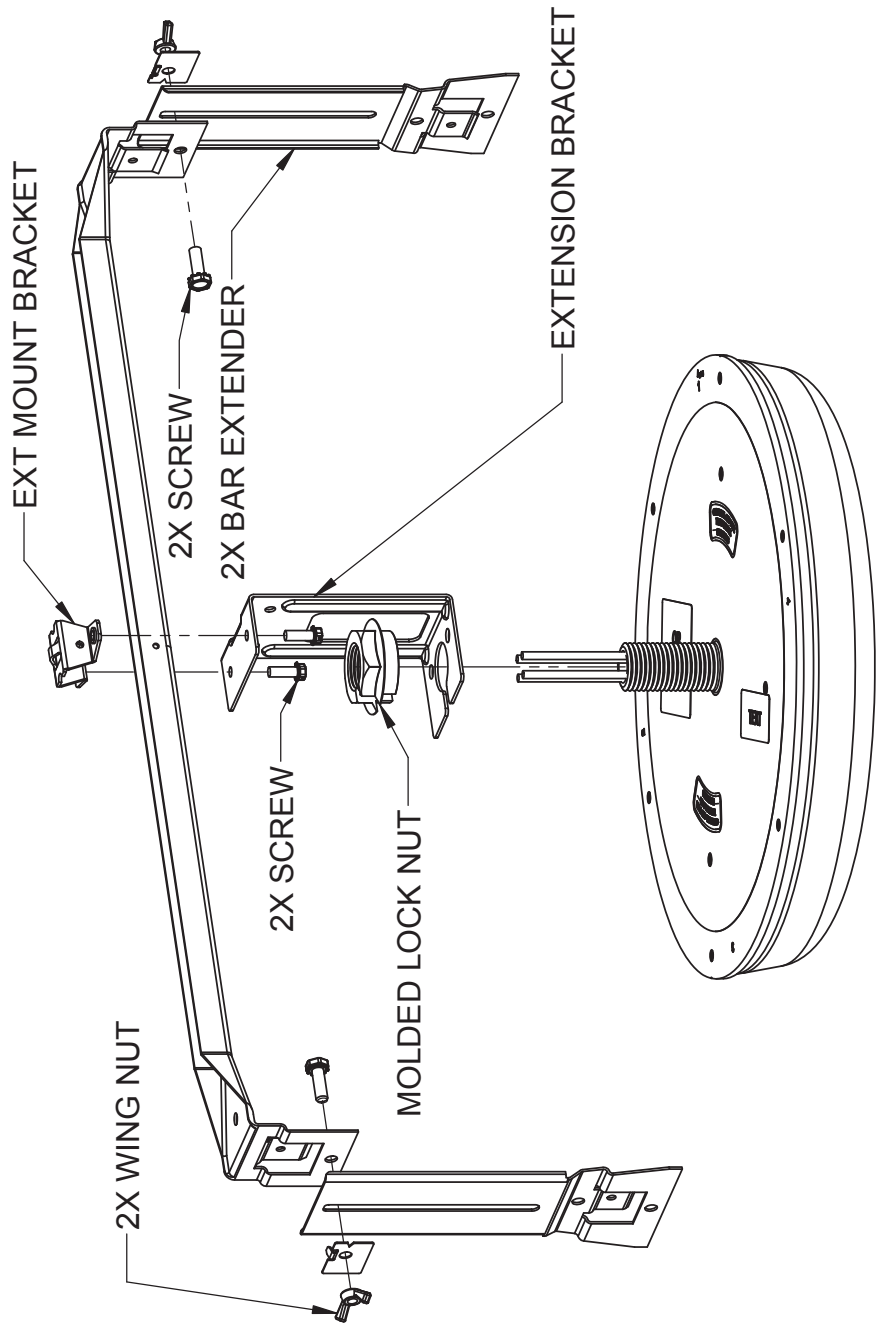
ABOVE CEILING MOUNTING: MOUNTING BRACKET Part Number: HKIT-CMx-001

THIS DRAWING IS UNPUBLISHED.

RELEASED FOR PUBLICATION

© Copyright 2022 TE Connectivity Ltd.

ALL RIGHTS RESERVED.



SIZE	DWG. NO.	REV
A3	CMQ69273-30NFMO	F01
SCALE: 1:5	PREVIOUS#	SHEET 5 OF 6

NOTE: The mounting kit (HKIT-CMx-001) is **NOT INCLUDED** with the antenna; it needs to be purchased separately.

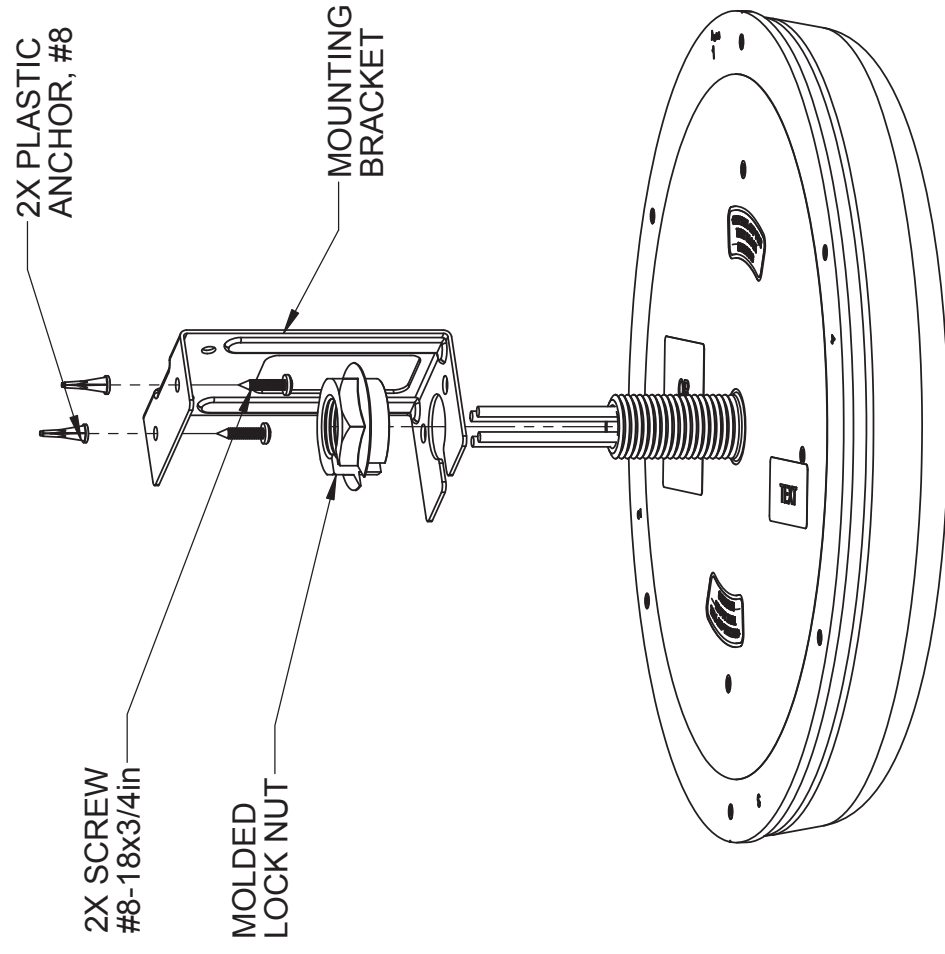
HARD CEILING MOUNTING: Part Number: HKIT-CMx-002

THIS DRAWING IS UNPUBLISHED.

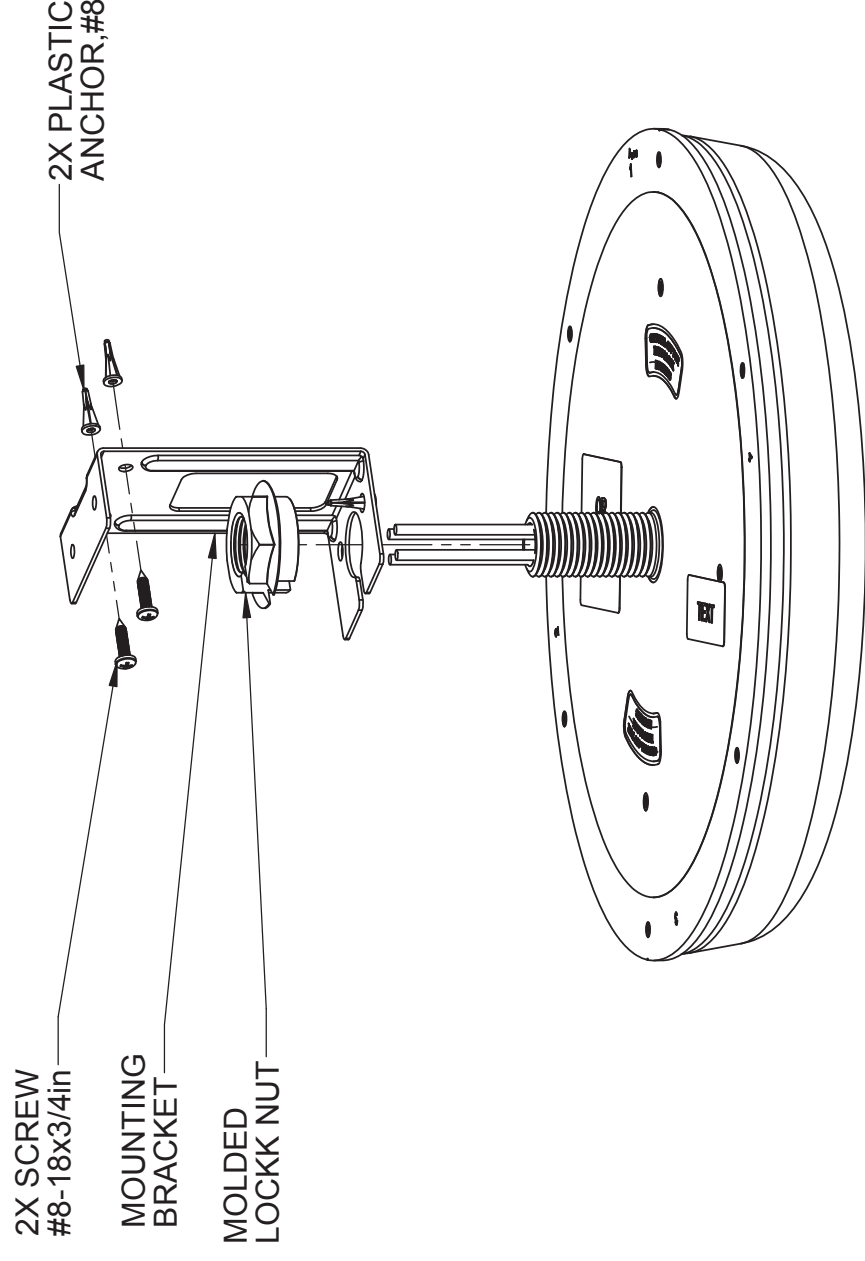
RELEASED FOR PUBLICATION

© Copyright 2022 TE Connectivity Ltd.

ALL RIGHTS RESERVED.



TOP MOUNTING



SIDE MOUNTING



SIZE	DWG. NO.	REV
A3	CMQ69273-30NFMO	F01
SCALE: 1:5	PREVIOUS#	SHEET 6 OF 6

NOTE: The mounting kit (HKIT-CMx-002) is **NOT INCLUDED** with the antenna; it needs to be purchased separately.