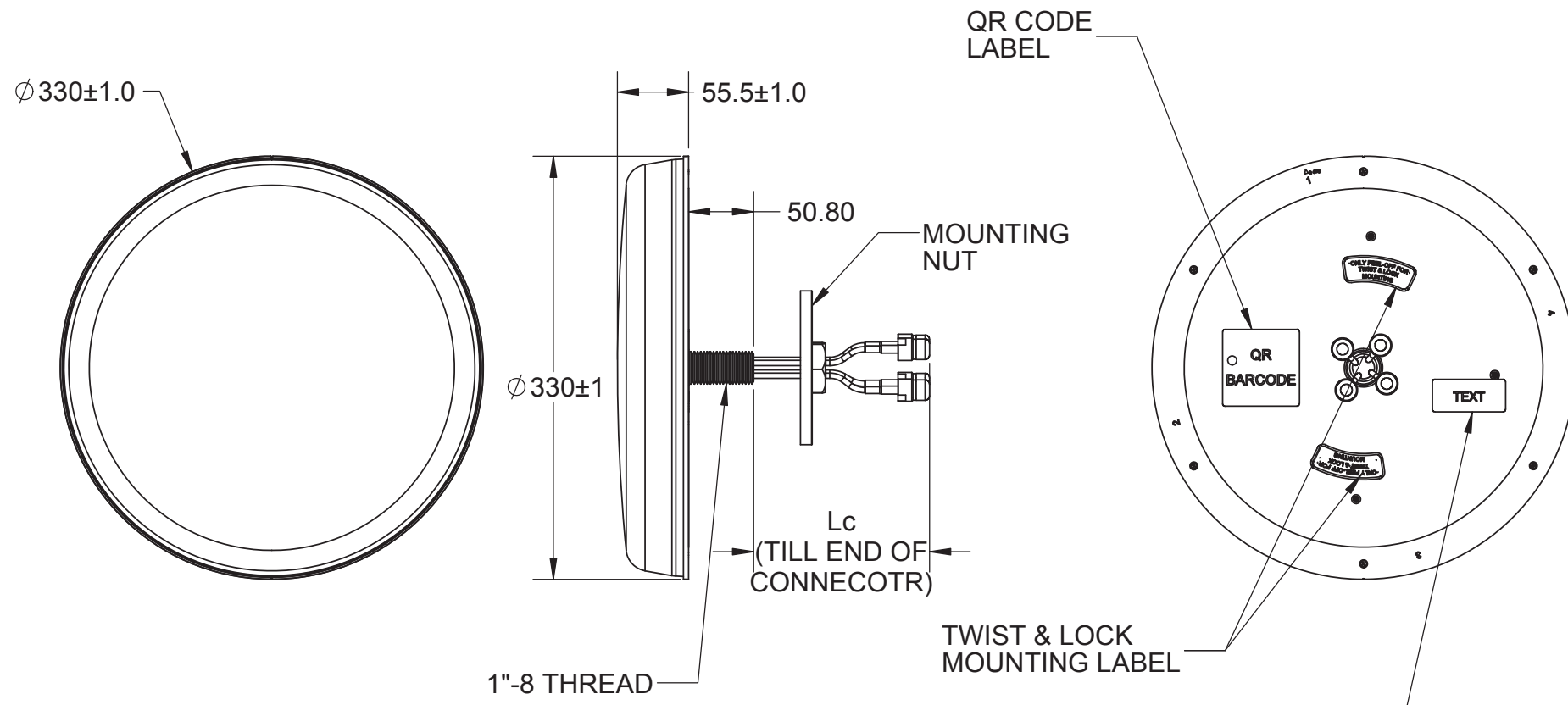


THIS DRAWING IS UNPUBLISHED. RELEASED FOR PUBLICATION - , -
 © Copyright 2022 TE Connectivity Ltd. ALL RIGHTS RESERVED.

REVISIONS					
REV.	ECR#	ZONE	DESCRIPTION	CHANGED BY/DATE	APPROVED BY/DATE
F03	ECN-IAS-03327	SHT 5 & SHT 6	UPDATED MOUNTING OPTIONS	WT NG 19AUG14	HANG 19AUG14
F04		SHT 3 & 4	REVISED PART NUMBER FOR MOUNTING KITS	WT NG 21AUG14	HANG 21AUG14
F05	ECN-IAS-04202	TABLE	UPDATED SPEC TABLE	WT NG 11MAY15	CYH 11MAY15



PARAMETER	SPECIFICATION							
Frequency Bands, MHz	698-806	824-894	880-960	1710-1880	1850-1990	1910-2170	2300-2500	2500-2700
Peak Gain, dBi (Typ)	3.6	3.8	3.7	5.4	5.0	4.7	4.5	4.5
Peak Gain, dBi (Max)	5.4	4.7	4.2	6.0	5.4	5.4	6.0	5.1
VSWR (Typ)	<1.8:1	<1.6:1	<1.7:1	<1.6:1	<1.6:1	<1.8:1	<1.4:1	<1.7:1
VSWR (Max)	<2.0:1	<2.0:1	<2.0:1	<2.0:1	<2.0:1	<2.0:1	<2.0:1	<2.0:1
Isolation, dB (Max)	< -15	< -15	< -15	< -17	< -17	< -17	< -17	< -17
Port 1->Port 2, dB (Typ)	< -15	< -19	< -20	< -24	< -27	< -23	< -22	< -23
Port 1->Port 3, dB (Typ)	< -17	< -17	< -19	< -18	< -22	< -24	< -24	< -26
Port 1->Port 4, dB (Typ)	< -15	< -17	< -18	< -24	< -28	< -22	< -22	< -23
Port 2->Port 3, dB (Typ)	< -15	< -18	< -18	< -24	< -29	< -22	< -22	< -23
Port 2->Port 4, dB (Typ)	< -17	< -18	< -19	< -19	< -22	< -23	< -25	< -27
Port 3->Port 4, dB (Typ)	< -15	< -17	< -18	< -24	< -27	< -23	< -23	< -24
PIM, 3rd Order, 2 x 20W (Typ)	<-154 dBc			<-164 dBc				
PIM, 3rd Order, 2 x 20W (Max)	<-153 dBc							
Nominal Impedance	-50 Ω							
Max Power (ambient temp of 25°C)	50 Watts							
Polarization	Linear, Omni-directional							
Radome	PC / ABS, UV stable							
Mounting	Ceiling mount (drywall or tile flush mount)							
Dimensions (diameter x height)	330 mm x 55.5 mm (12.9" x 2.2")							
Weight	Approximately 1.18 kg (2.6 lbs.)							
Connector type	Type N, Female							
Exposed Cable Length, Lc	300mm±6mm							
Storage Temperature (°C)	-40° C to +85° C (-40° F to 185° F)							
Operational Temperature (°C)	-30° C to +70° C (-22° F to 158° F)							
Flammability Rating (Radome)	UL 94V0 Materials							
Material Substance Compliance	RoHS Compliant							

MATERIAL:		THIRD ANGLE PROJECTION			
FINISH:		DO NOT SCALE DRAWING			
APPROVALS		DATE		TITLE: CMQ69273P-30NF	
DRAWN BY	WT NG	14APR14			
ELEC. ENG.	TY NG	14APR14			
MECH. ENG.	WT NG	14APR14			
MFG./OPS.	LT GAN	14APR14		SIZE: A3 DWG. NO.: CMQ69273P-30NFMO REV: F05	
				SCALE: 1:5 PREVIOUS#: SHEET 1 OF 6	

6

5

4

3

2

1

PRIMARY MOUNTING OPTION: STUD MOUNTING

THIS DRAWING IS UNPUBLISHED.	RELEASED FOR PUBLICATION - , -
© Copyright 2022 TE Connectivity Ltd.	ALL RIGHTS RESERVED.

D

D

C

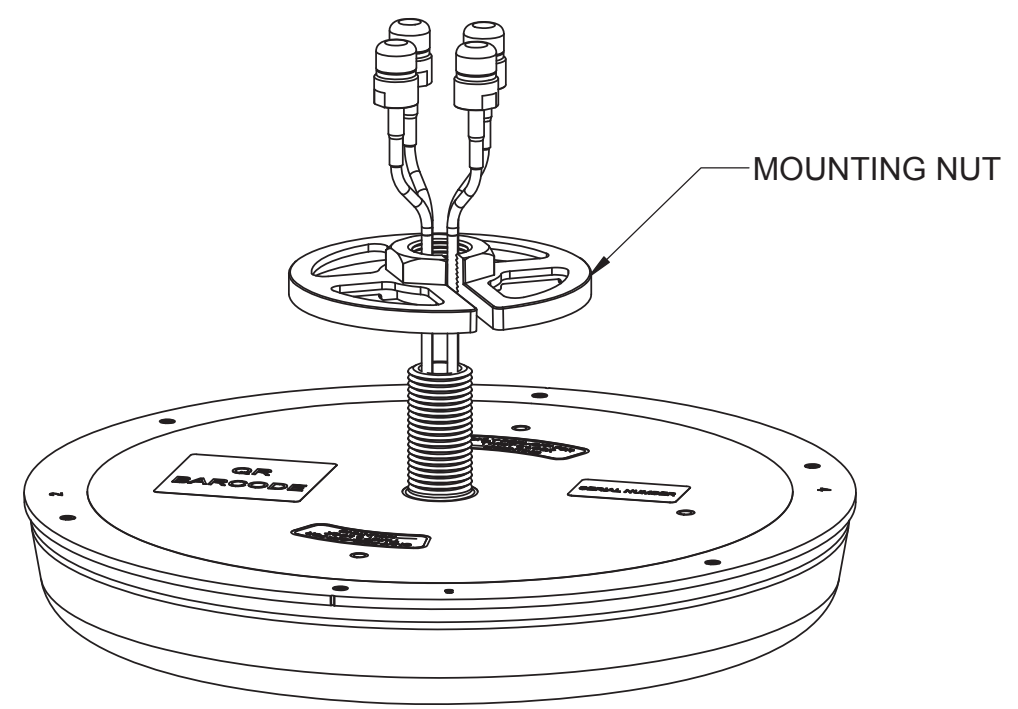
C

B

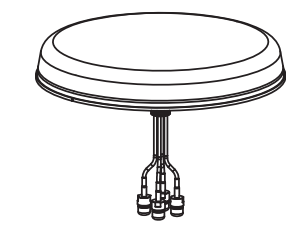
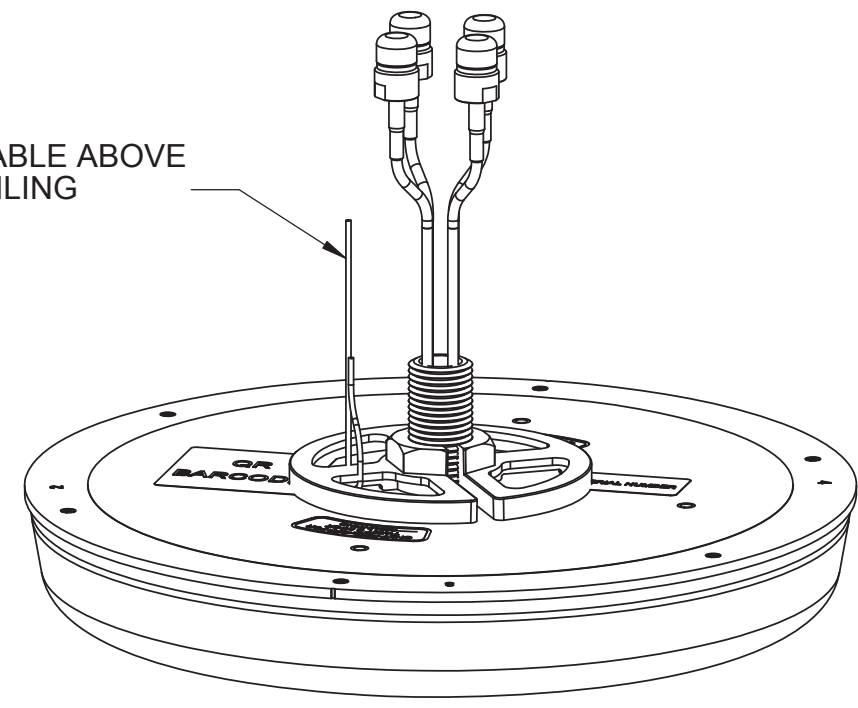
B

A

A



SUPPORTING CABLE ABOVE
SUSPENDED CEILING
(NOT SUPPLIED)



NOTE: THE MOUNTING KIT (172-00051) IS **INCLUDED** WITH THE ANTENNA.

SIZE A3	DWG. NO. CMQ69273P-30NFMO	REV F05
SCALE: 1:5	PREVIOUS#	SHEET 2 OF 6

6

5

4

3

2

1

6

5

4

3

2

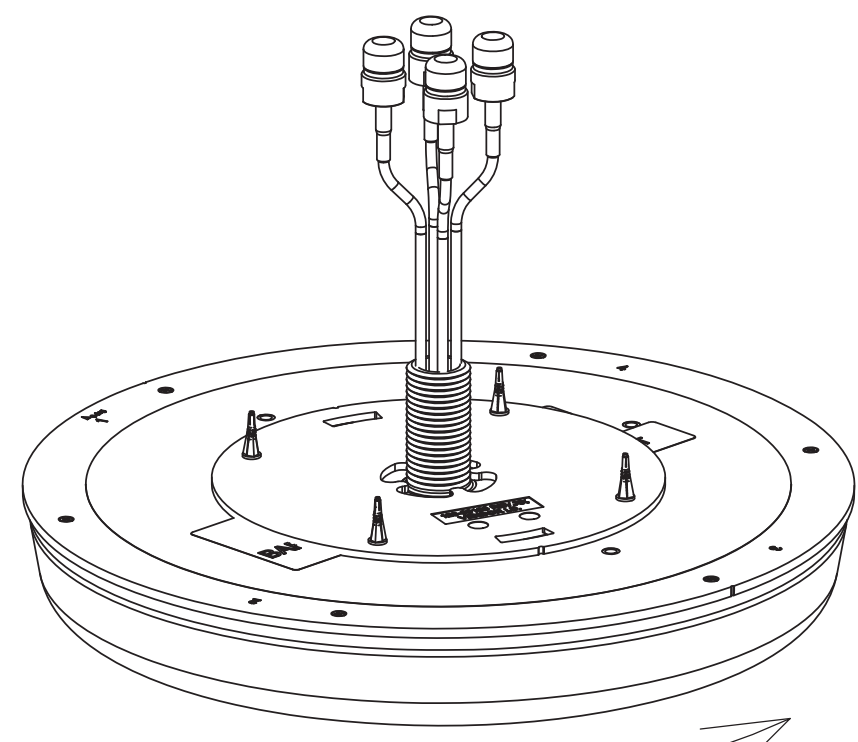
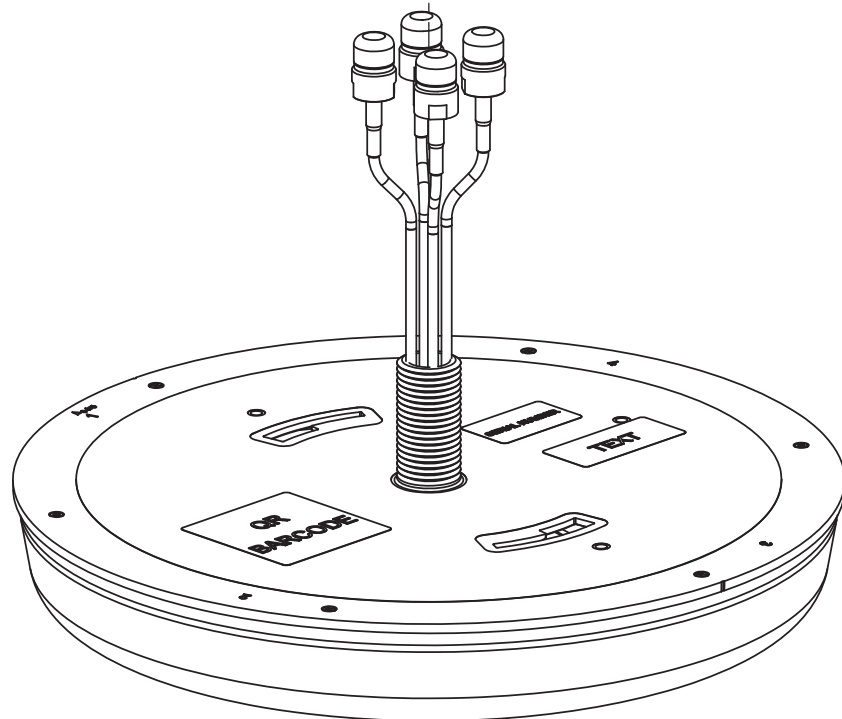
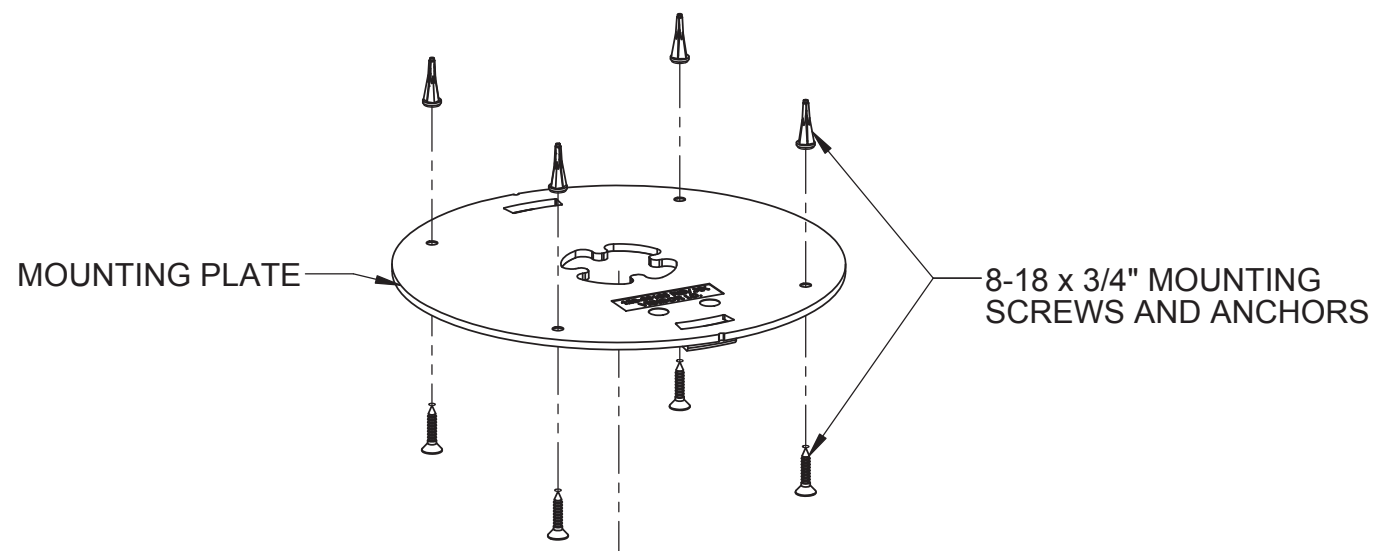
1

SECONDARY MOUNTING OPTION:

TWIST & LOCK MOUNTING ON DRYWALL / SHEETROCK

Part Number: HKIT-CMx-003

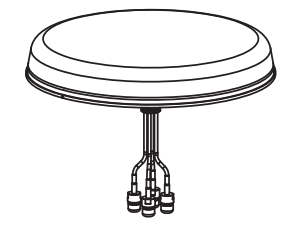
THIS DRAWING IS UNPUBLISHED.	RELEASED FOR PUBLICATION - , -
© Copyright 2022 TE Connectivity Ltd.	ALL RIGHTS RESERVED.



TWIST ANTENNA TO LOCK

INSERT THE HOOK OF MOUNTING PLATE INTO THE HOLES ON BASE PLATE AND TWIST CLOCKWISE TO LOCK.

NOTE: The mounting kit (HKIT-CMx-003) is **NOT INCLUDED** with the antenna; it needs to be purchased separately.



SIZE A3	DWG. NO. CMQ69273P-30NFMO	REV F05
SCALE: 1:5	PREVIOUS#	SHEET 3 OF 6

6

5

4

3

2

1

6

5

4

3

2

1

ABOVE CEILING MOUNTING:
PE FOAM STANDOFF (DOUBLE SIDED ADHESIVE)
Part Number: HKIT-CMx-004

THIS DRAWING IS UNPUBLISHED.	RELEASED FOR PUBLICATION - , -
© Copyright 2022 TE Connectivity Ltd.	ALL RIGHTS RESERVED.

D

D

C

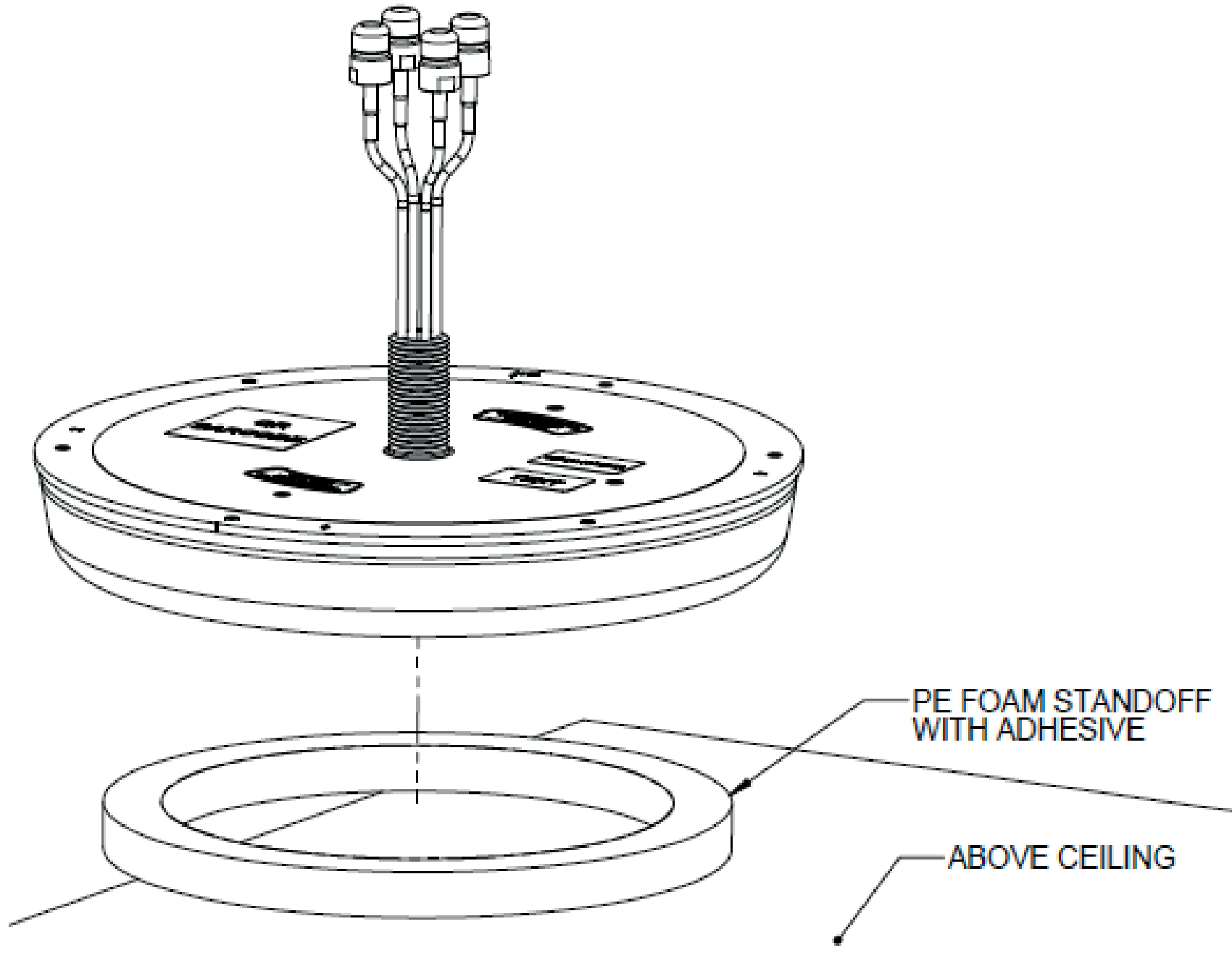
C

B

B

A

A



NOTE: The mounting kit (HKIT-CMx-004) is **NOT INCLUDED** with the antenna; it needs to be purchased separately.

SIZE A3	DWG. NO. CMQ69273P-30NFMO	REV F05
SCALE: 1:5	PREVIOUS#	SHEET 4 OF 6

6

5

4

3

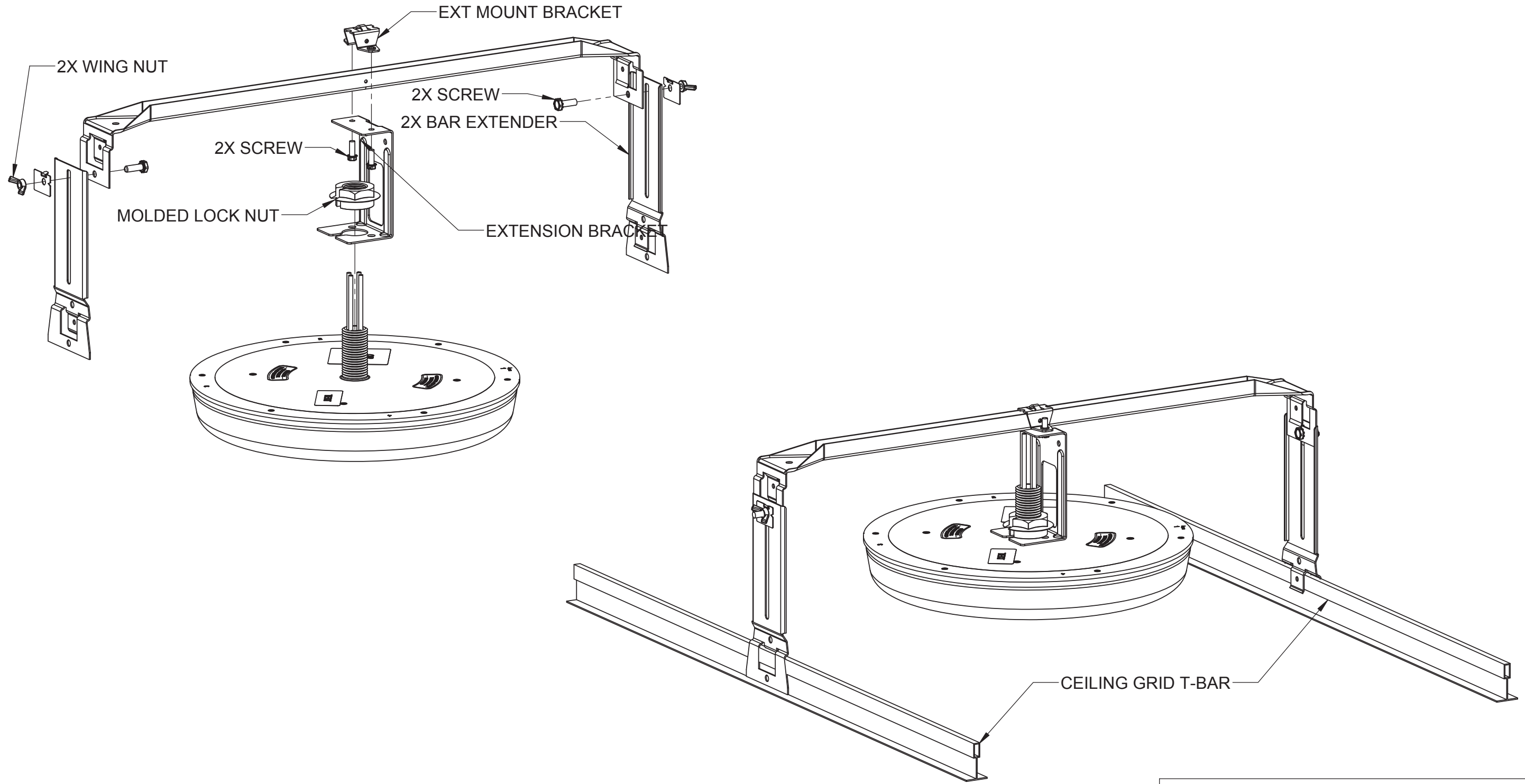
2

1

ABOVE CEILING MOUNTING: MOUNTING BRACKET

Part Number: HKIT-CMx-001

THIS DRAWING IS UNPUBLISHED. RELEASED FOR PUBLICATION - , -
© Copyright 2022 TE Connectivity Ltd. ALL RIGHTS RESERVED.



NOTE: The mounting kit (HKIT-CMx-001) is **NOT INCLUDED** with the antenna; it needs to be purchased separately.

SIZE A3	DWG. NO. CMQ69273P-30NFMO	REV F05
SCALE: 1:5	PREVIOUS#	SHEET 5 OF 6

6

5

4

3

2

1

HARD CEILING MOUNTING: Part Number: HKIT-CMx-002

THIS DRAWING IS UNPUBLISHED.	RELEASED FOR PUBLICATION - , -
© Copyright 2022 TE Connectivity Ltd.	ALL RIGHTS RESERVED.

D

D

C

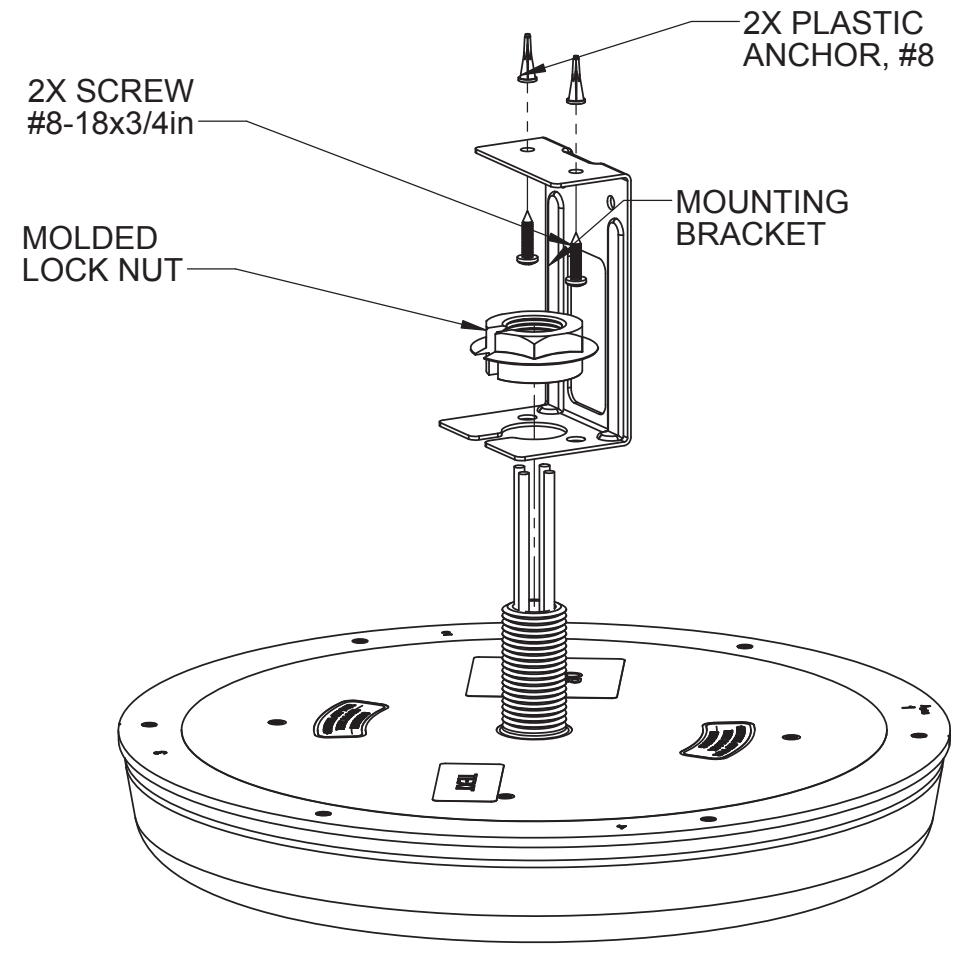
C

B

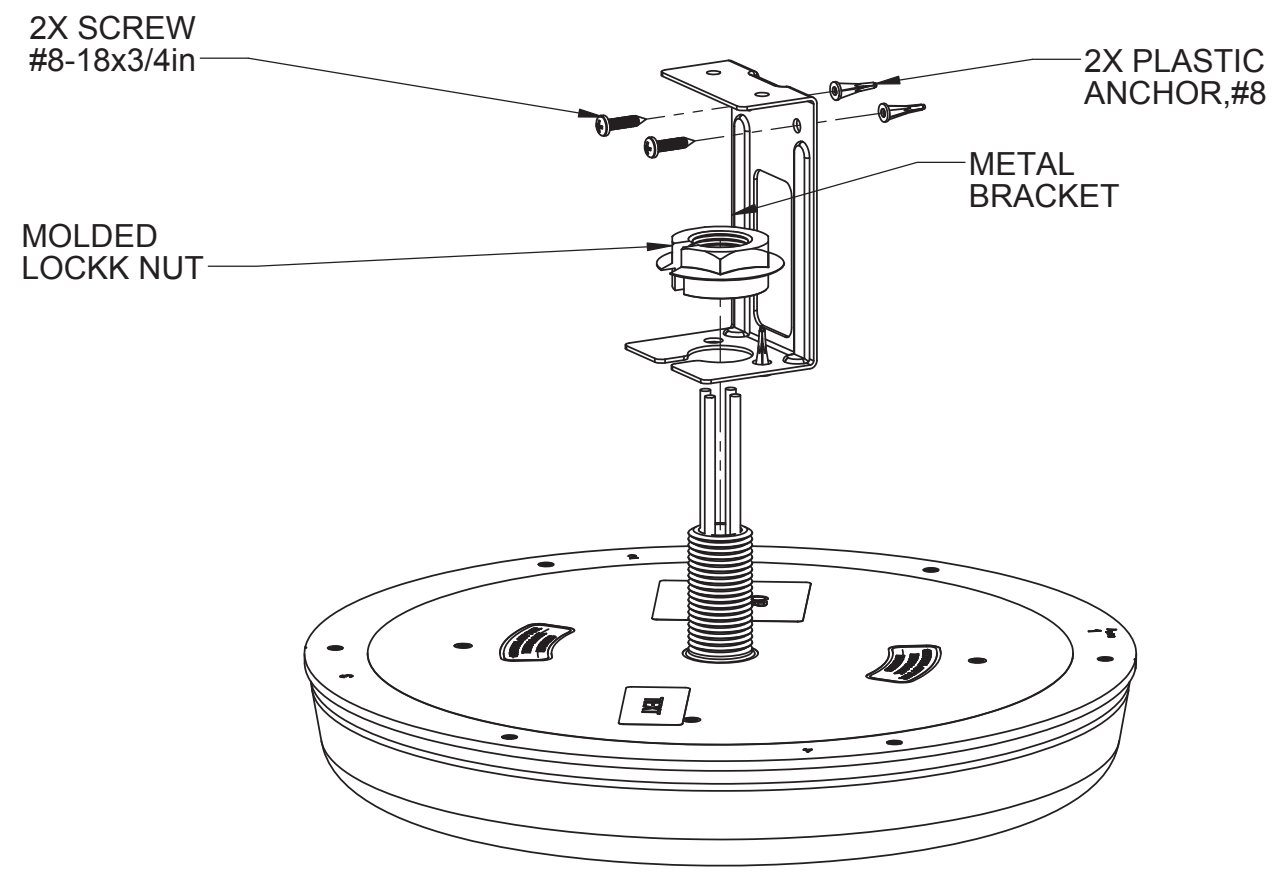
B

A

A



TOP MOUNTING



SIDE MOUNTING

NOTE: The mounting kit (HKIT-CMx-002) is **NOT INCLUDED** with the antenna; it needs to be purchased separately.

SIZE A3	DWG. NO. CMQ69273P-30NFMO	REV F05
SCALE: 1:5	PREVIOUS#	SHEET 6 OF 6

6

5

4

3

2

1