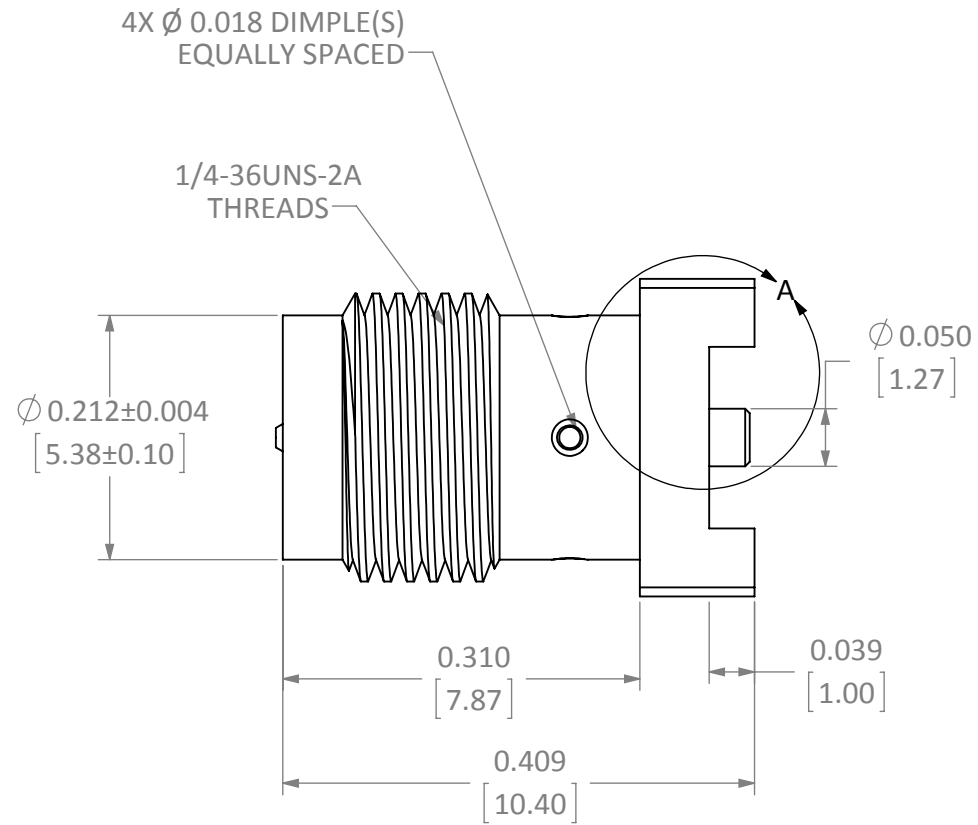
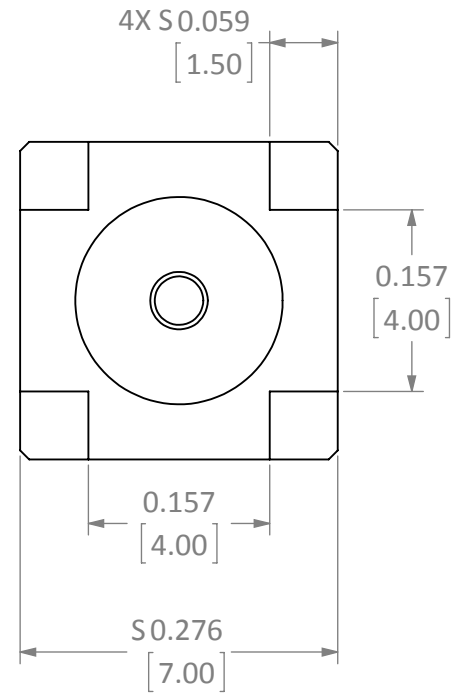


DESCRIPTION	MATERIAL	FINISH
BODY	BRASS	GOLD
PIN	BeCu	GOLD
INSULATION	PTFE	N/A

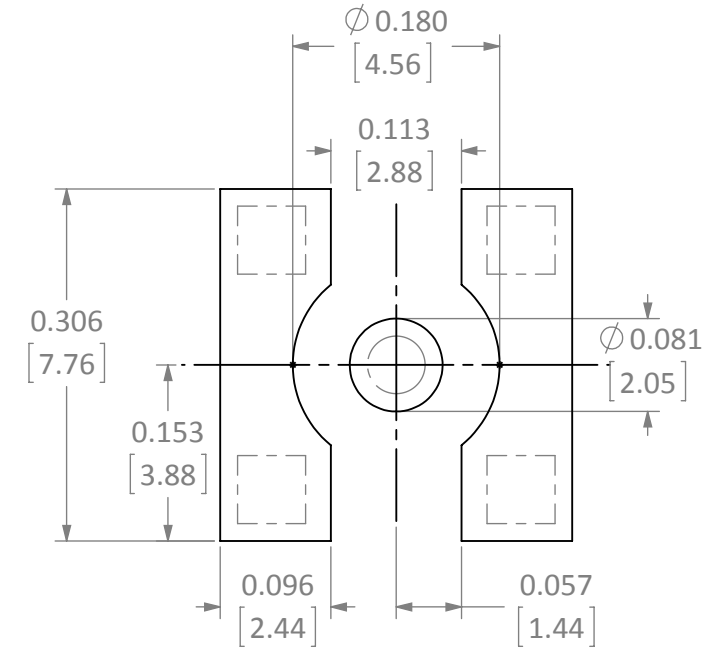
REVISIONS			
REV	DESCRIPTION	DATE	APPV
B	ADDED NEW TITLE BLOCK; UPDATED DIMENSIONS AND FOOTPRINT	5-MAR-12	SAH
C	UPDATED MATERIALS	10-JUL-12	SAH
D	ADDED DIMPLE TO PART	3-JUN-13	SAH
E	ADDED CONTANT TO STANDOFF DIMENSION; UPDATED NOTE 3	3-MAY-16	SAH
F	ADDED OUTER BARREL DIMENSION	29-NOV-17	CLL



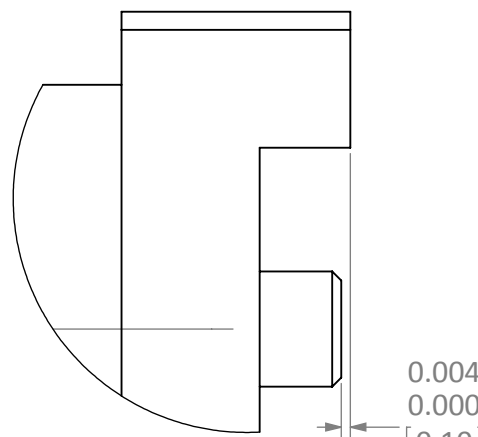
SIDE VIEW



BOTTOM VIEW



RECOMMENDED FOOTPRINT



DETAIL A  
SCALE 12 : 1

0.004  
0.000  
0.10  
0.00 CENTER CONTACT TO MOUNTING PLANE STAND-OFF

NOTES: (UNLESS OTHERWISE SPECIFIED)

1. ALL DIMENSIONS ARE IN INCHES [mm].
2. DIMENSIONS APPLY AFTER FINISHING.
3. MANUFACTURE TO BE COMPLIANT WITH EU RoHS DIRECTIVE, USE MATERIALS THAT DO NOT CONTAIN REACH SUBSTANCES OF VERY HIGH CONCERN >1000ppm, AND USE DRC CONFLICT-FREE SOURCED MATERIALS.
4. SAFETY BREAK ALL SHARP CORNERS AND EDGES .02 MAXIMUM.

WARNING: THIS DRAWING CONTAINS PROPRIETARY INFORMATION THAT IS THE SOLE PROPERTY OF LINX TECHNOLOGIES, AND SHALL BE TREATED AS SUCH. NO DISCLOSURE OR REPRODUCTION OF THIS DOCUMENT IS PERMITTED, IN WHOLE OR IN PART, WITHOUT THE EXPRESS WRITTEN PERMISSION OF LINX TECHNOLOGIES OR ITS DESIGNATED AGENTS.



TITLE: RP-SMA FEMALE PCB MOUNT SURFACE MOUNT

MATERIAL:	INTERPRET DIMENSIONS AND TOLERANCES PER ASME Y14.5.	PROJECTION:
FINISH:	SURFACE FINISH: $\sqrt{}$ ANGLES: $\pm 1^\circ$	
	TOLERANCES: .X $\pm .1$ .XX $\pm .01$ .XXX $\pm .005$	
DRAWN: B.MURPHY	DT: 11-MAR-13	
ENGR: S.HOGAN	DT: 3-JUN-13	

SIZE	DWG. NO.	REV
<b>B</b>	CONREVSMA001-SMD-G	<b>F</b>
SCALE: 6:1	DO NOT SCALE DRAWING	SHEET 1 OF 1