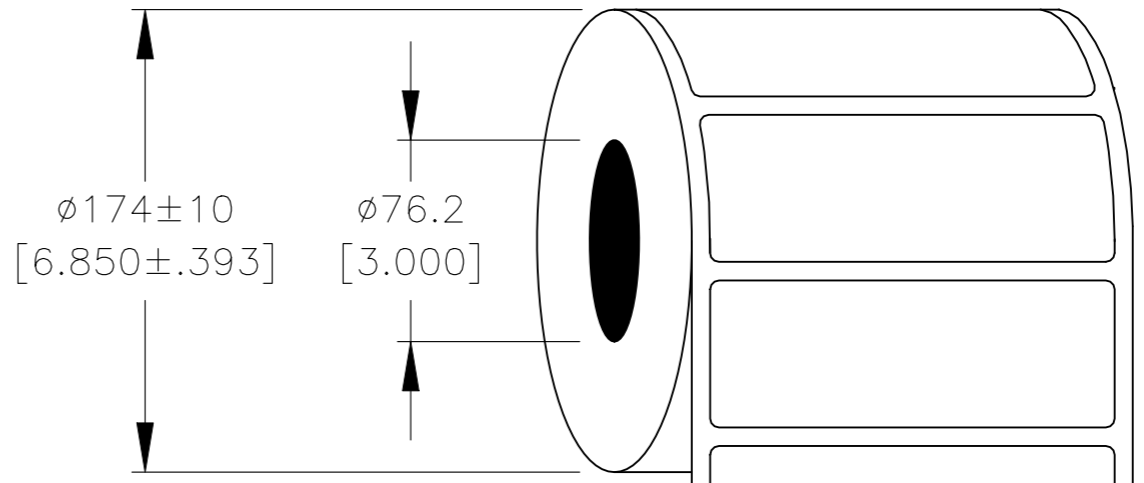
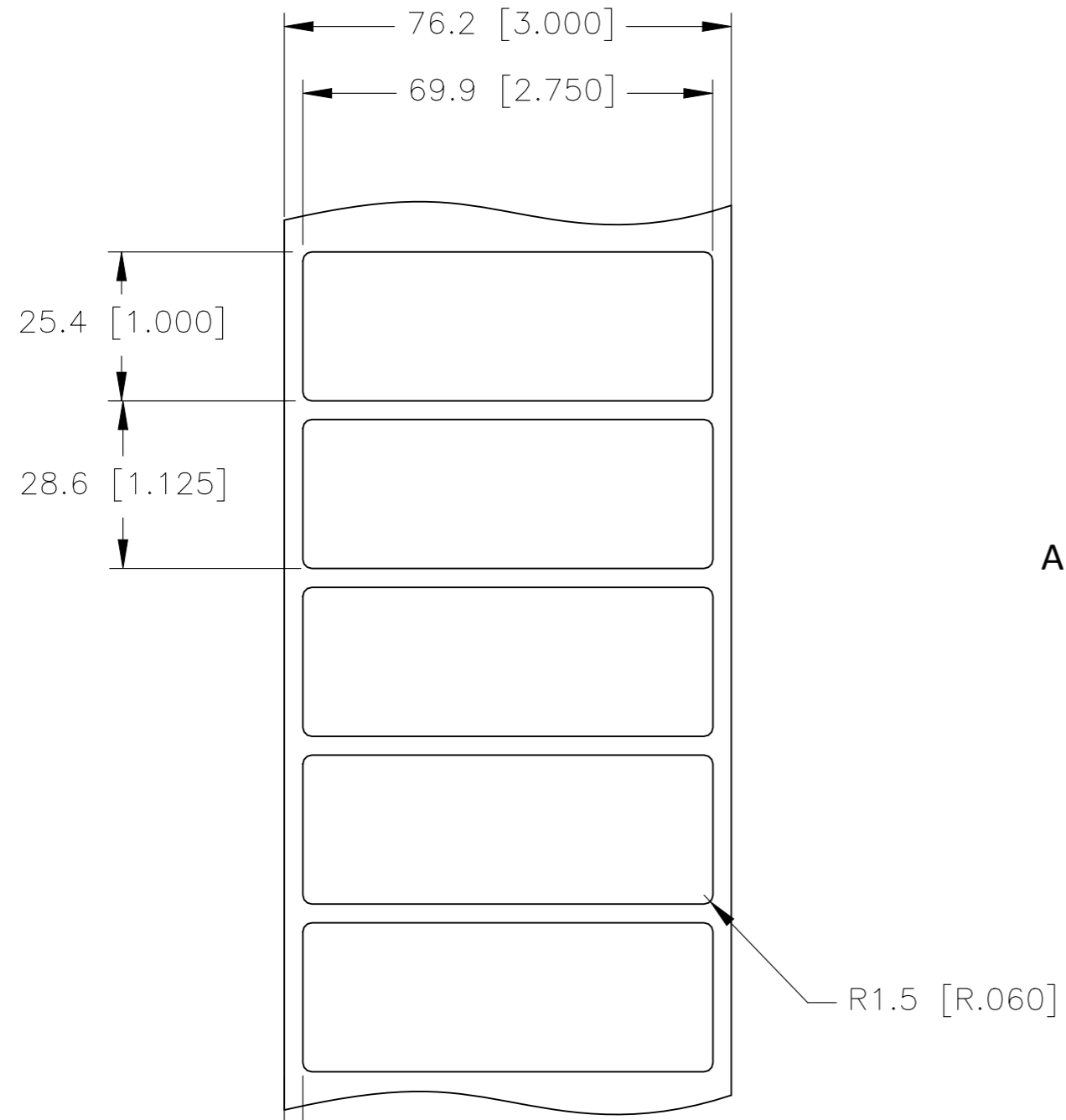


REVISIONS					
P	LTR	DESCRIPTION	DATE	DWN	APVD
	C	INITIAL RELEASE	14FEB2021	GK	MN

LABEL AND LINER DESIGN

PRESENTATION



All dimensions in mm [Inches]

TE PN: F81616-000

**OUTSIDE WOUND
LABEL ACROSS: 1
PER ROLL QTY: 5000**

MATERIAL	CLEAR POLYESTER
ADHESIVE TYPE	PERMANENT ACRYLIC
LINER	GLASSINE PAPER

3.2 [.125]

TOLERANCES mm [INCH]	
LABEL HEIGHT:	±0.3 [.012]
LABEL WIDTH:	±0.3 [.012]
WEB WIDTH:	±0.8 [.031]
VERTICAL REPEAT:	±0.8 [.031]*
HORIZONTAL REPEAT:	±0.8 [.031]*
PRINT POSITIONING:	±0.8 [.031]*
LEFT MARGIN:	±0.4 [.016]
QUANTITY:	-0 % +2 %
*NON ACCUMULATING	

THIS DRAWING IS A CONTROLLED DOCUMENT.	
DIMENSIONS: mm [INCHES]	TOLERANCES UNLESS OTHERWISE SPECIFIED:
	0 PLC ± -
	1 PLC ± -
	2 PLC ± -
	3 PLC ± -
	4 PLC ± -
ANGLES ± -	± -
MATERIAL SEE TABLE	FINISH -

DWN	14FEB2021
GOPALAKRISHNA HV	
CHK	14FEB2021
MIKE NUTTALL	
APVD	14FEB2021
MIKE NUTTALL	
PRODUCT SPEC	
TTDS-083	
APPLICATION SPEC	
WEIGHT	0.144g

TE Connectivity		NAME	
		CP-699254-5-X	
SIZE	CAGE CODE	DRAWING NO	RESTRICTED TO
A3	C2290	CP-699254-5-X	-
CUSTOMER DRAWING		SCALE	SHEET
		NTS	1 OF 1
		REV	C