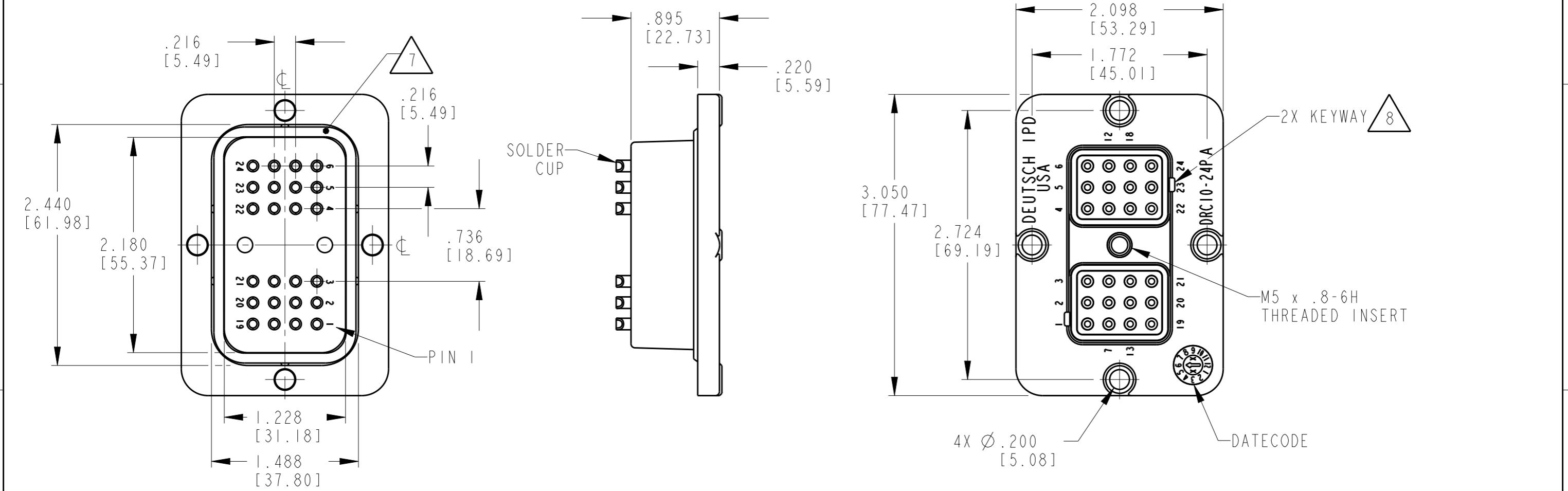


THIS DRAWING IS UNPUBLISHED
 RELEASED FOR PUBLICATION 2017
 © COPYRIGHT 2017 BY - TE Connectivity ALL RIGHTS RESERVED.

REVISIONS					
P	LTR	DESCRIPTION	DATE	DWN	APVD
	C	REVISED PER PCN-E-16-016968	09JAN2017	MGM	DM

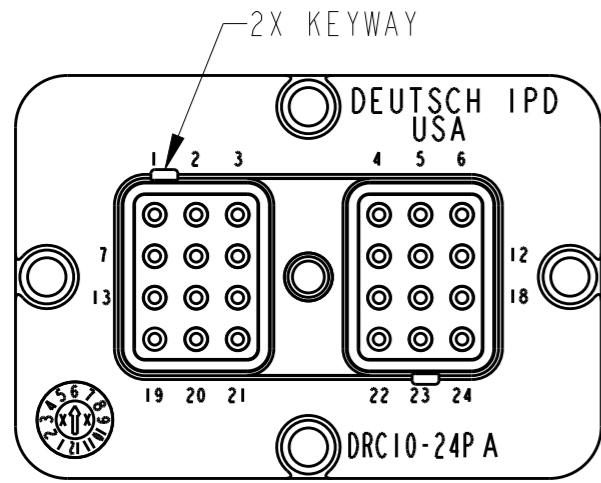


- 8 SEE SHEET 2 FOR OTHER KEY ARRANGEMENTS.
 - 7 FLANGE SEAL (0510-014-2406) IS SOLD SEPARATELY.
 - 6 SURFACE FINISH: 32 RMS OR BETTER; .005 [.12]
 - 5. THIS RECEPTACLE MATES WITH DRC16-24SX-XXXX PLUG; (X=A,B,C,D KEYS) (XXXX = ALL MODIFICATIONS). CONSULT FACTORY FOR MODS.
 - 4. CONTACT PLATING - MATING AND SOLDER CUP SIDE: TIN.
 - 3. MATERIAL - HOUSING: PLASTIC; SEAL: RUBBER; THREADED INSERT: STEEL.
 - 2. RECEPTACLE IS SUPPLIED WITH DUST CAP (NOT SHOWN).
 - 1. DIMENSION TOLERANCE: ±.025 [.64]; CUTOUT: ±.010 [.25].
- NOTES: UNLESS OTHERWISE SPECIFIED

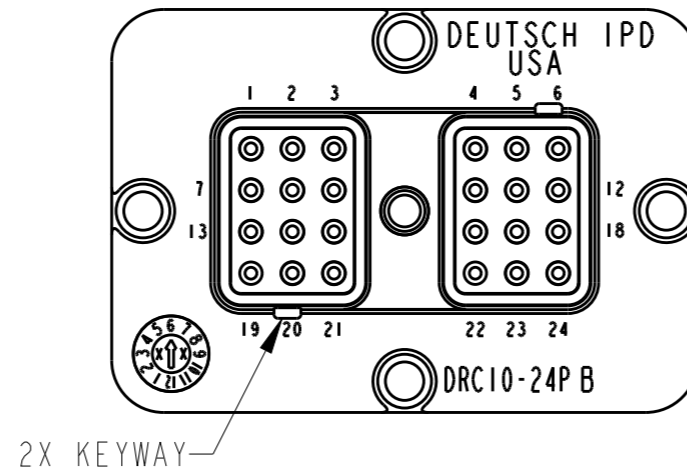
TE INTERNAL PN	DEUTSCH PN
DRC10-24PA	DRC10-24PA
DRC10-24PB	DRC10-24PB
DRC10-24PC	DRC10-24PC
DRC10-24PD	DRC10-24PD

THIS DRAWING IS A CONTROLLED DOCUMENT.		DWN D. MEYER 16MAY2002	TE Connectivity	
DIMENSIONS: IN[mm]		CHK R. MCCORD 03AUG2006		
TOLERANCES UNLESS OTHERWISE SPECIFIED:		APVD R. REED 03AUG2006	NAME RECEPTACLE, FLANGED 24 #16 SIZE CONTACTS COLOR: BLACK	
0 PLC ± 1 PLC ± 2 PLC ± 3 PLC ± 4 PLC ± ANGLES ±-		PRODUCT SPEC -	SIZE A3	
MATERIAL		APPLICATION SPEC -	CAGE CODE 4AFU8	DRAWING NO. C=DRC10-24PX
FINISH		WEIGHT 79.3 (g)	RESTRICTED TO -	SCALE 1:1
		CUSTOMER DRAWING	SHEET 1 OF 2	REV C

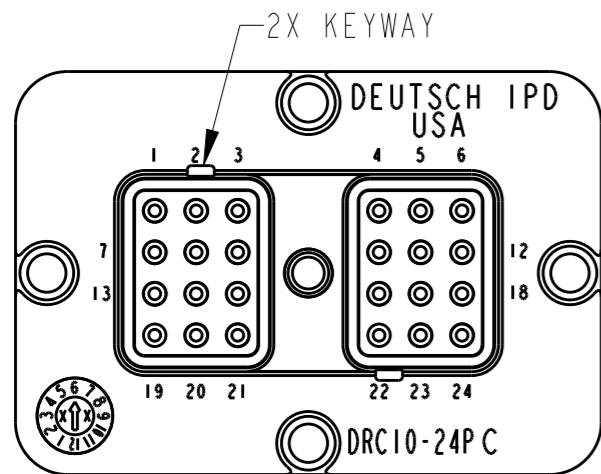
REVISIONS					
P	LTR	DESCRIPTION	DATE	DWN	APVD
-	-	SEE SHEET 1	-	-	-



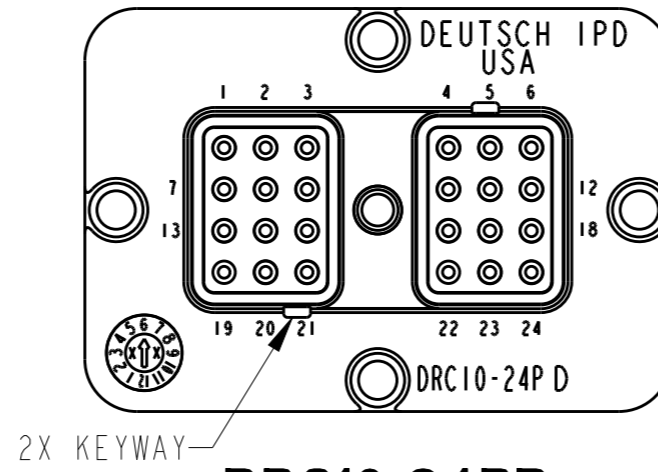
**DRC10-24PA
KEY -A-**



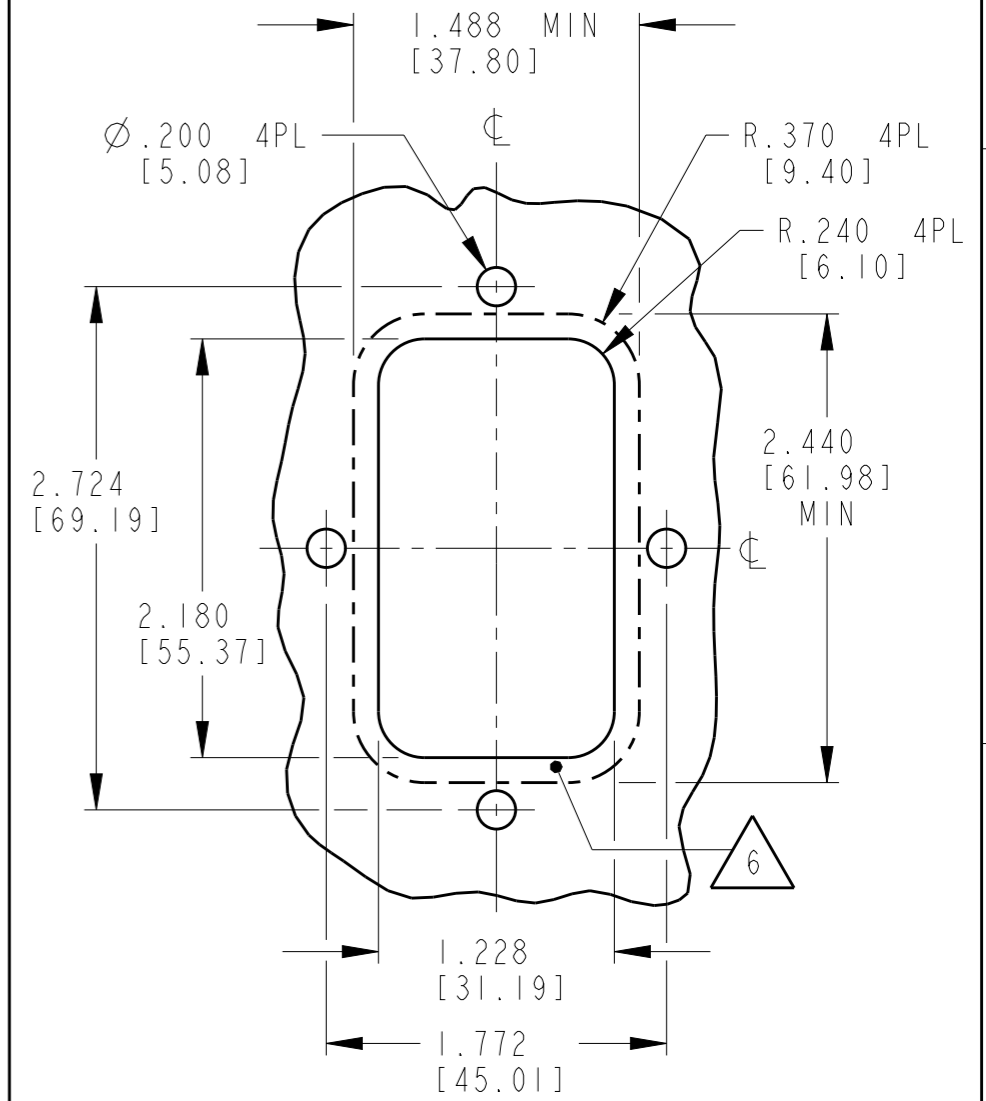
**DRC10-24PB
KEY -B-**



**DRC10-24PC
KEY -C-**



**DRC10-24PD
KEY -D-**



RECOMMENDED CUTOUT

THIS DRAWING IS A CONTROLLED DOCUMENT.		DWN D. MEYER 16MAY2002																	
DIMENSIONS: IN [mm]		CHK R. MCCORD 03AUG2006																	
TOLERANCES UNLESS OTHERWISE SPECIFIED:		APVD R. REED 03AUG2006	NAME RECEPTACLE, FLANGED 24 #16 SIZE CONTACTS COLOR: BLACK																
<table border="0"> <tr> <td>0 PLC</td> <td>±</td> <td rowspan="4"> </td> </tr> <tr> <td>1 PLC</td> <td>±</td> </tr> <tr> <td>2 PLC</td> <td>±</td> </tr> <tr> <td>3 PLC</td> <td>±</td> </tr> <tr> <td>4 PLC</td> <td>±</td> <td></td> </tr> <tr> <td>ANGLES</td> <td>±</td> <td></td> </tr> </table>		0 PLC	±		1 PLC	±	2 PLC	±	3 PLC	±	4 PLC	±		ANGLES	±		PRODUCT SPEC -	RESTRICTED TO -	
0 PLC	±																		
1 PLC	±																		
2 PLC	±																		
3 PLC	±																		
4 PLC	±																		
ANGLES	±																		
MATERIAL 		APPLICATION SPEC -	SIZE A3	CAGE CODE 4AFU8	DRAWING NO DRC10-24PX														
FINISH 		WEIGHT 79.3 (g)	SCALE 1:1	SHEET 2 OF 2	REV C														
CUSTOMER DRAWING																			