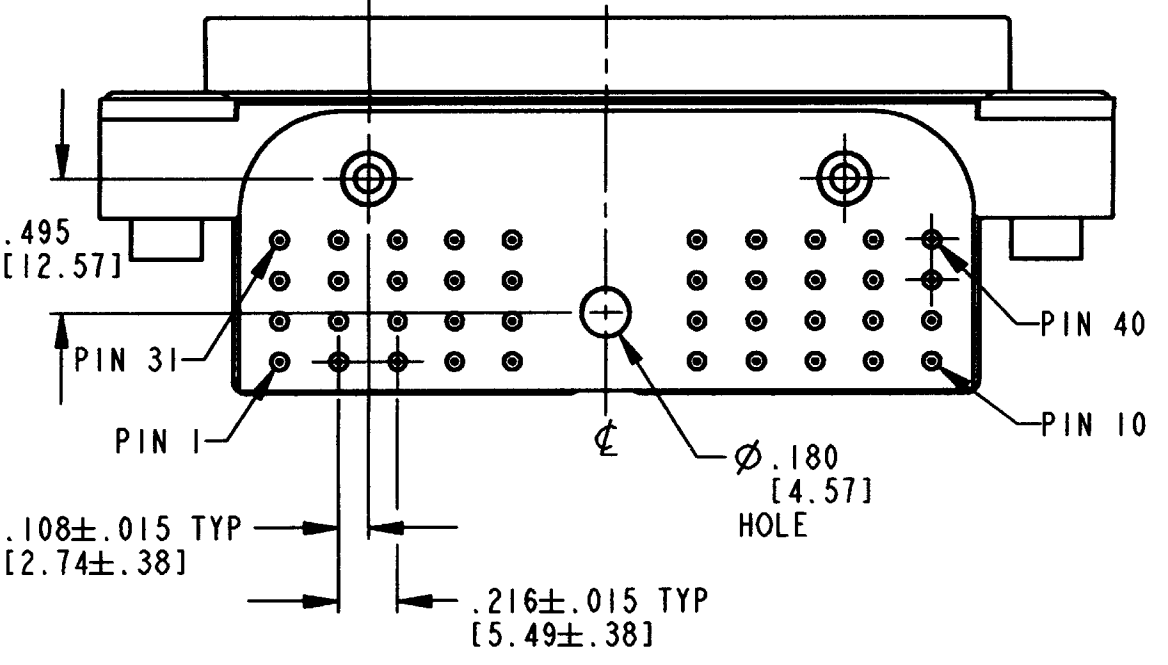
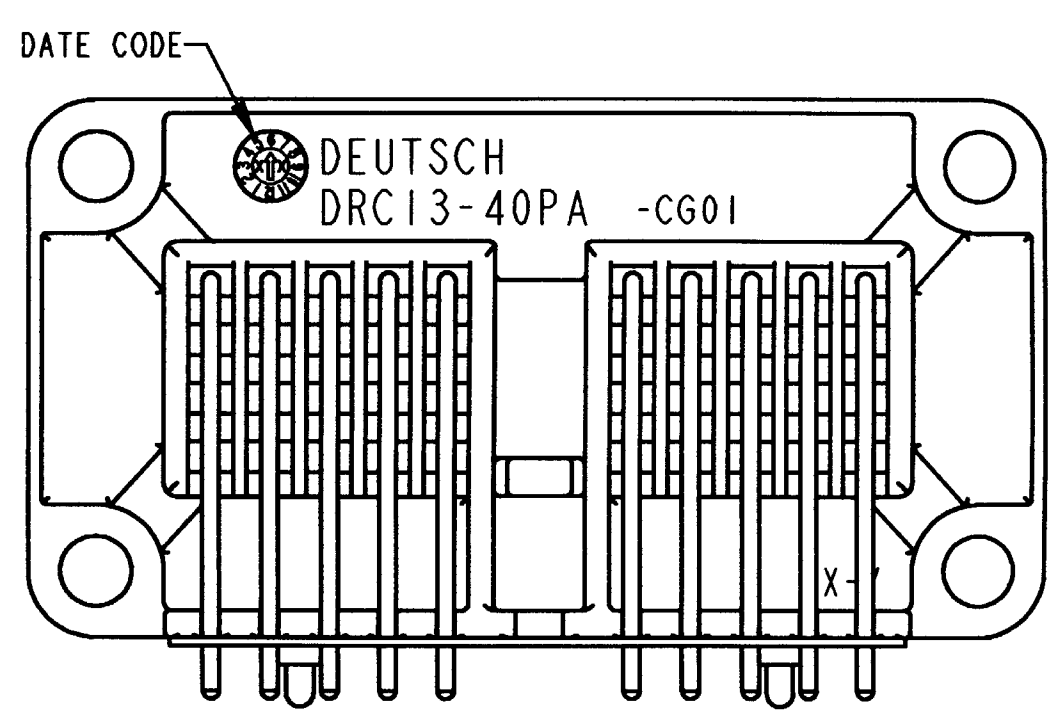
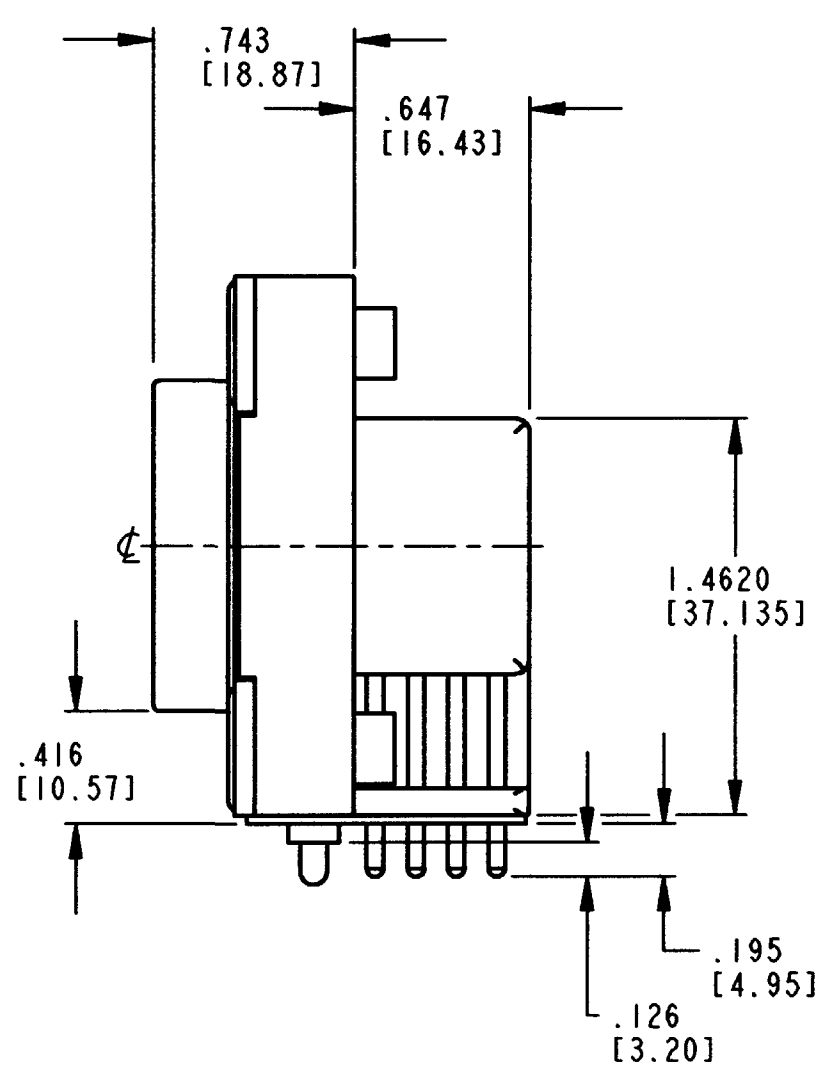
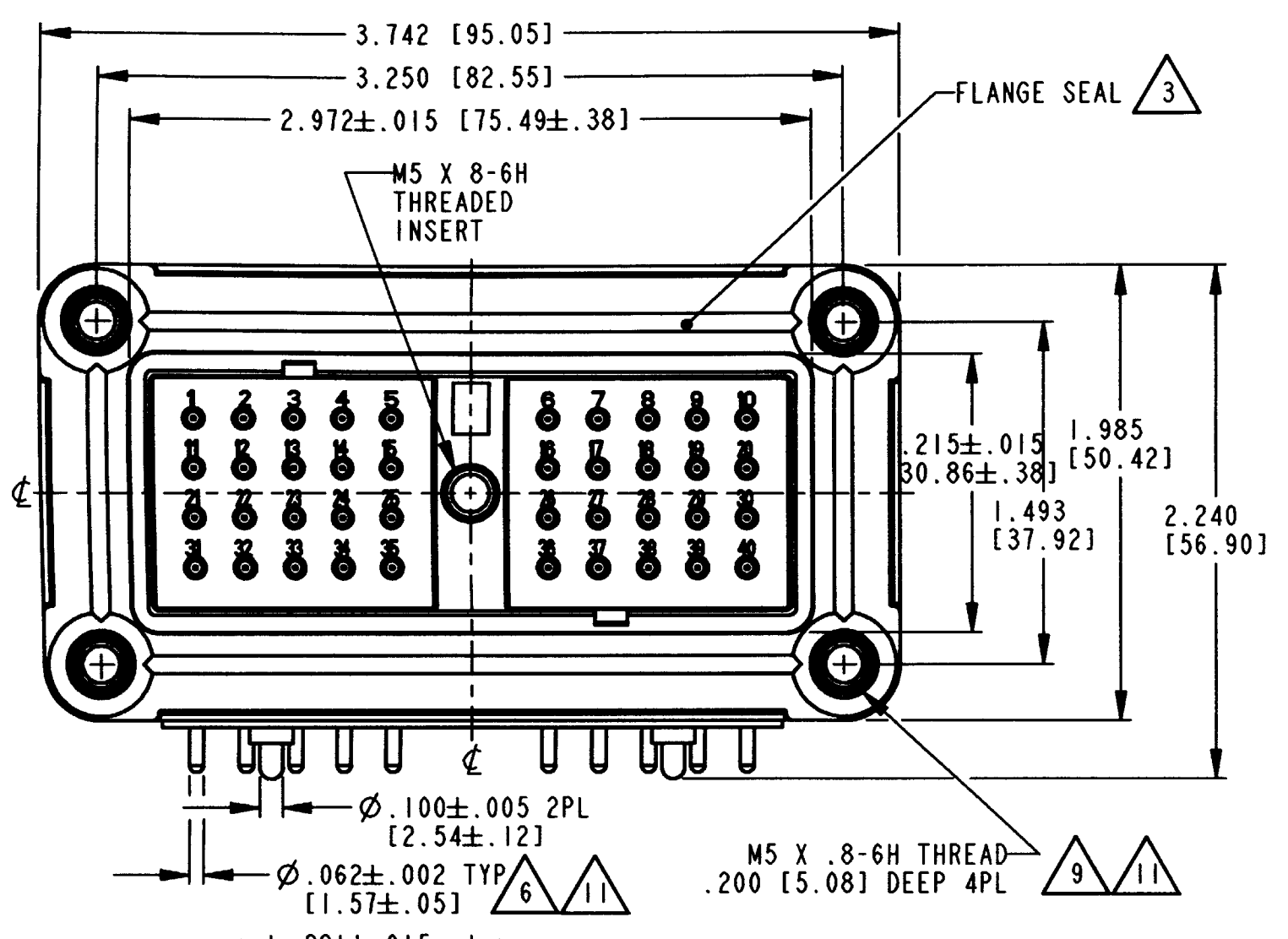


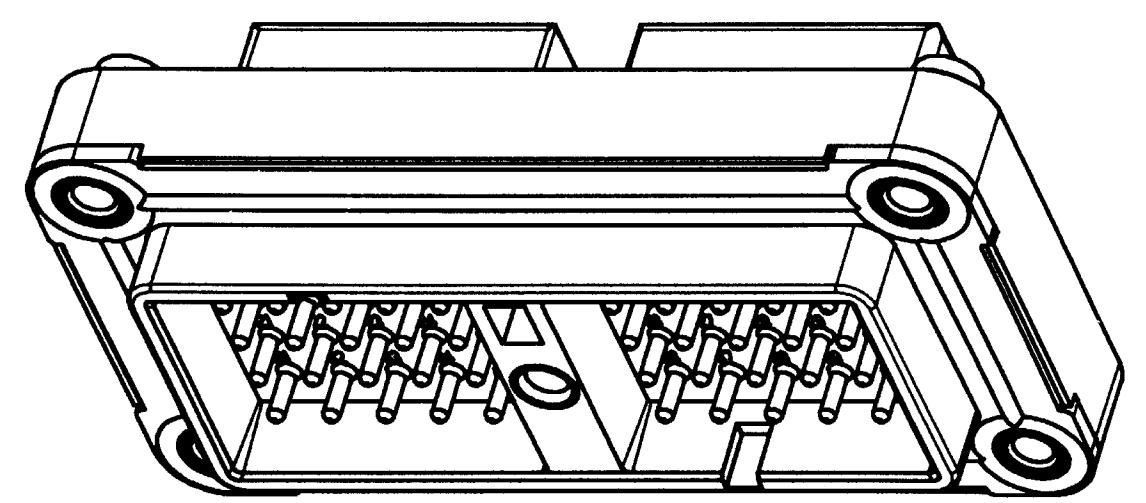
REV A DRC13-40P*CG01

REVISIONS			
SYM	DESCRIPTION	DATE	APPROVED
NC	NEW RELEASE PER E.O. P17162	4-4-01	R.D.R.
A	REVISED PER E.O. P18693	9-26-04	RDR



- 11 PART MODIFICATION.
- 10 SURFACE FINISH: 32 RMS OR BETTER; \square .005 [.12] .
- 9 RECOMMENDED SCREW: M5 X 8-6g MACHINE SCREW TORQUE: 20-25 IN-LB [2.26-2.83 NM].
- 8. SEE SHEET 2 FOR OTHER KEY ARRANGEMENTS.
- 7. THIS RECEPTACLE MATES WITH DRC16-40S(E)-**** & DRC18-40S*-**** PLUG (*=A,B,C,D KEYS; ****=ALL MODIFICATIONS).
- 6 CONTACT PLATING - MATING SIDE: TIN; PCB SIDE: 1, 10, 11, 20, 21, 30, 31 & 40 GOLD, REST: TIN.
- 5. MATERIAL - PLASTIC (BLACK); INSERTS: STEEL/BRASS; SEAL: RUBBER.
- 4. RECEPTACLE IS SUPPLIED WITH DUST CAP (NOT SHOWN).
- 3 FLANGE SEAL (0513-014-4006) IS SHIPPED WITH RECEPTACLE.
- 2. DIMENSION TOLERANCE: ±.025 [.64]; PANEL CUTOUT: ±.010 [.25].
- 1. DIMENSIONS ARE IN INCHES [mm].

NOTES: UNLESS OTHERWISE SPECIFIED



3D VIEW

SIGNATURE & DATE	
DR	J. APOSTOL 23FEB2001
CHK	[Signature] 9/26/04
PE	[Signature] 9/26/04
APPD	[Signature] 9/26/04
SCALE	NONE FT

RECEPTACLE
40 #16 SIZE CONTACTS
KEY ARRANGEMENTS
A, B, C & D
-CG01 MOD
DRC SERIES
ENVELOPE

CP	MATL CODE
	The Deutsch Company DEUTSCH I.P.D. 3850 INDUSTRIAL AVE. HEMET, CALIF. 92545
C	DRC13-40P*CG01
DWG SIZE	CODE 1113# SHEET 1 OF 2

7

6

5

4

3

2

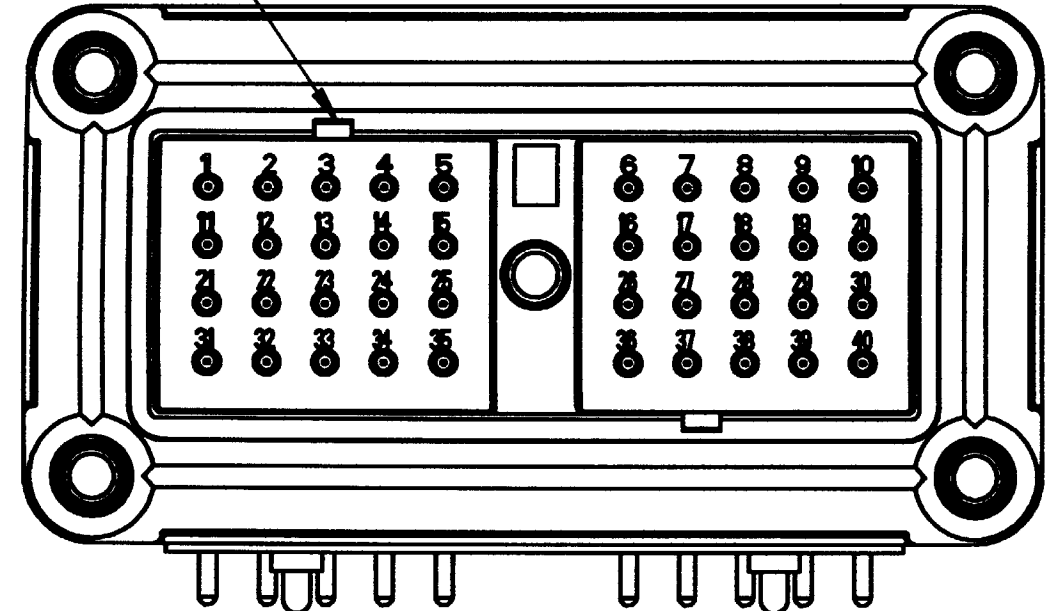
1

REV A DRC13-40P*CG01

REVISIONS

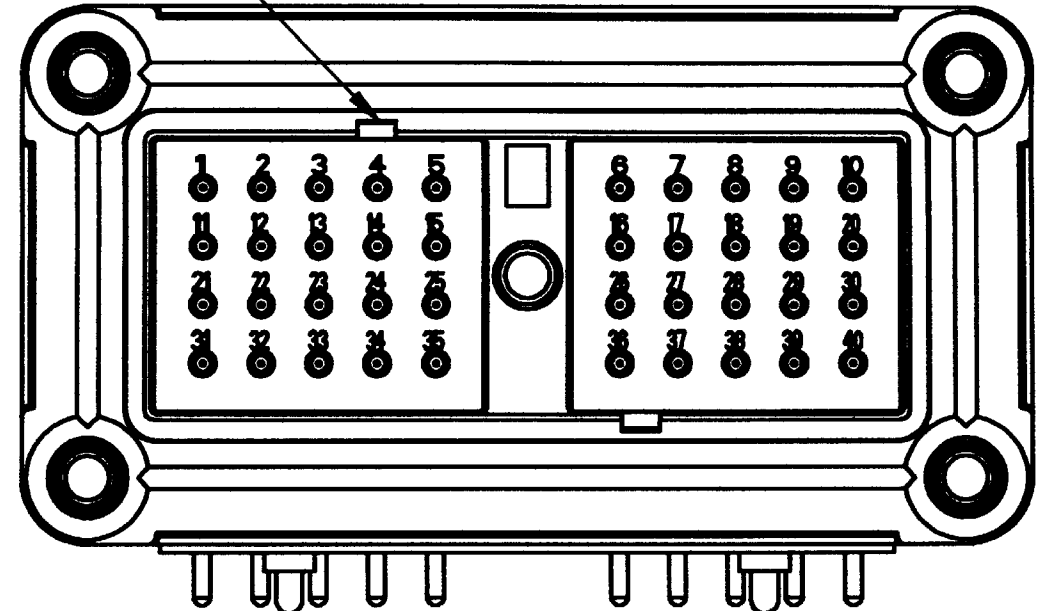
SYM	DESCRIPTION	DATE	APPROVED
A	SEE SHEET 1	9-20-04	RDR

KEYWAY 2PL



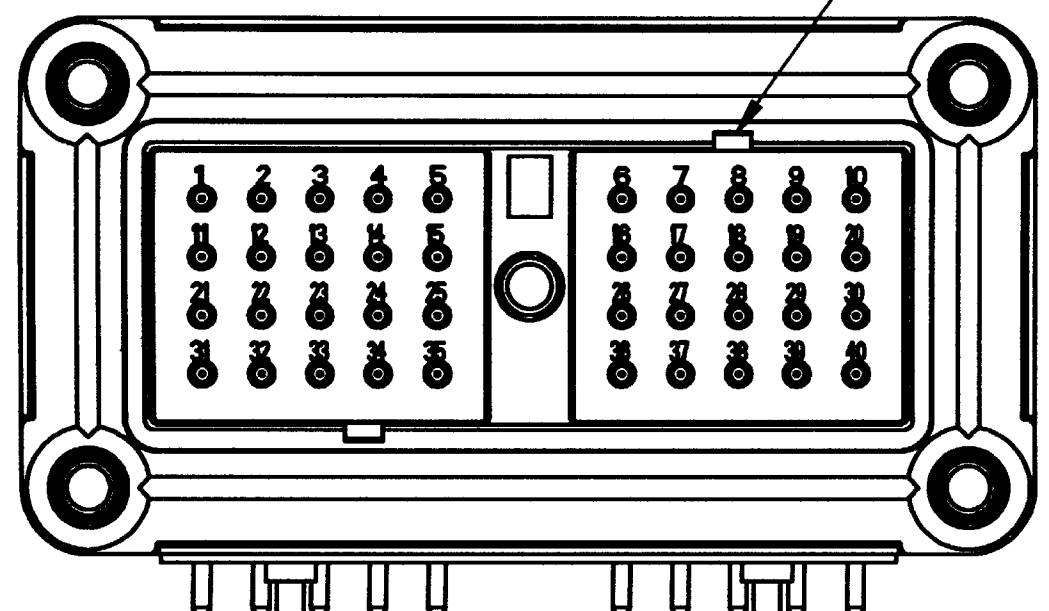
ARRANGEMENT -A-
DRC13-40PA-CG01

KEYWAY 2PL



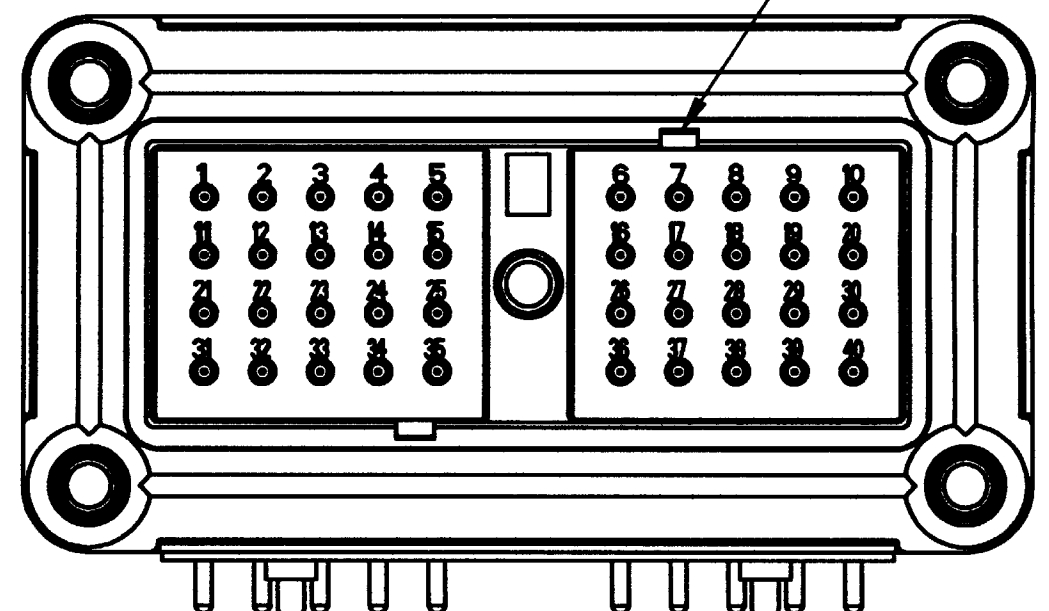
ARRANGEMENT -C-
DRC13-40PC-CG01

KEYWAY 2PL

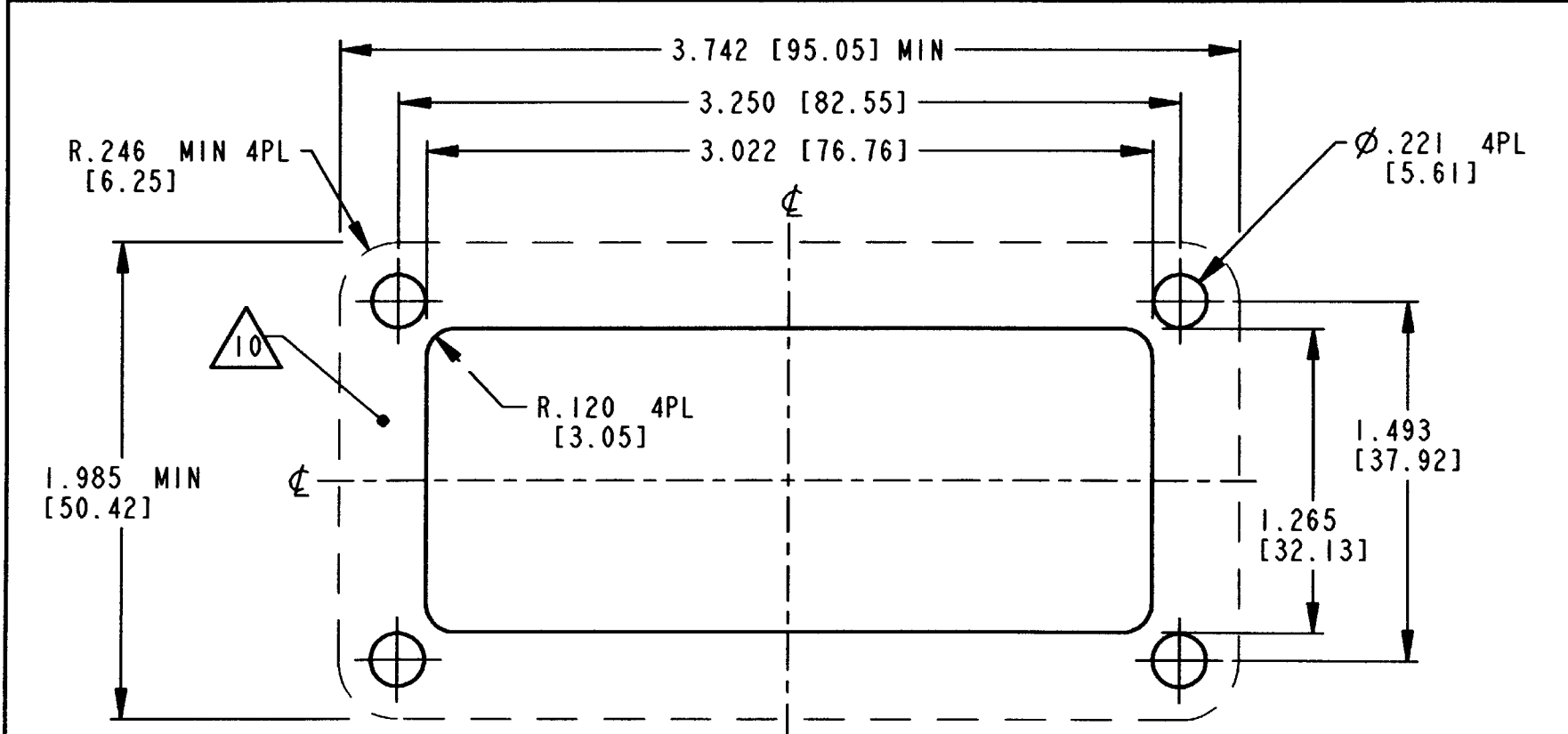


ARRANGEMENT -B-
DRC13-40PB-CG01

KEYWAY 2PL



ARRANGEMENT -D-
DRC13-40PD-CG01



RECOMMENDED PANEL CUTOUT

NOTES:

SIGNATURE & DATE	
DR	J. APOSTOL 23FEB2001
CHK	[Signature] 9/20/04
PE	[Signature]
APPD	[Signature] 9/20/04
SCALE	NONE

RECEPTACLE
40 #16 SIZE CONTACTS
KEY ARRANGEMENTS
A, B, C & D
-CG01 MOD
DRC SERIES
ENVELOPE

CP	MATL. CODE
The Deutch Company DEUTSCH I.P.D. 3850 INDUSTRIAL AVE. HEMET, CALIF. 92545	
C	DRC13-40P*CG01
DWG SIZE	CODE 1113# SHEET 2 OF 2

7

6

5

4

3

2

1