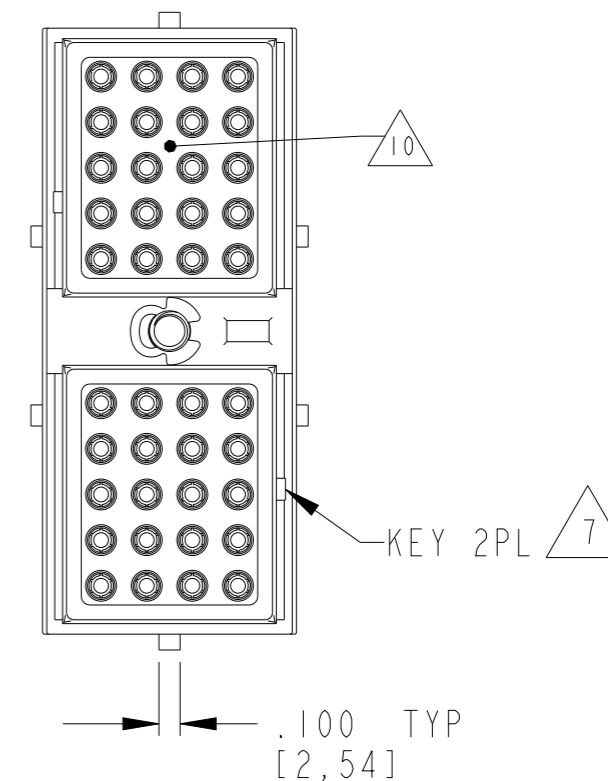
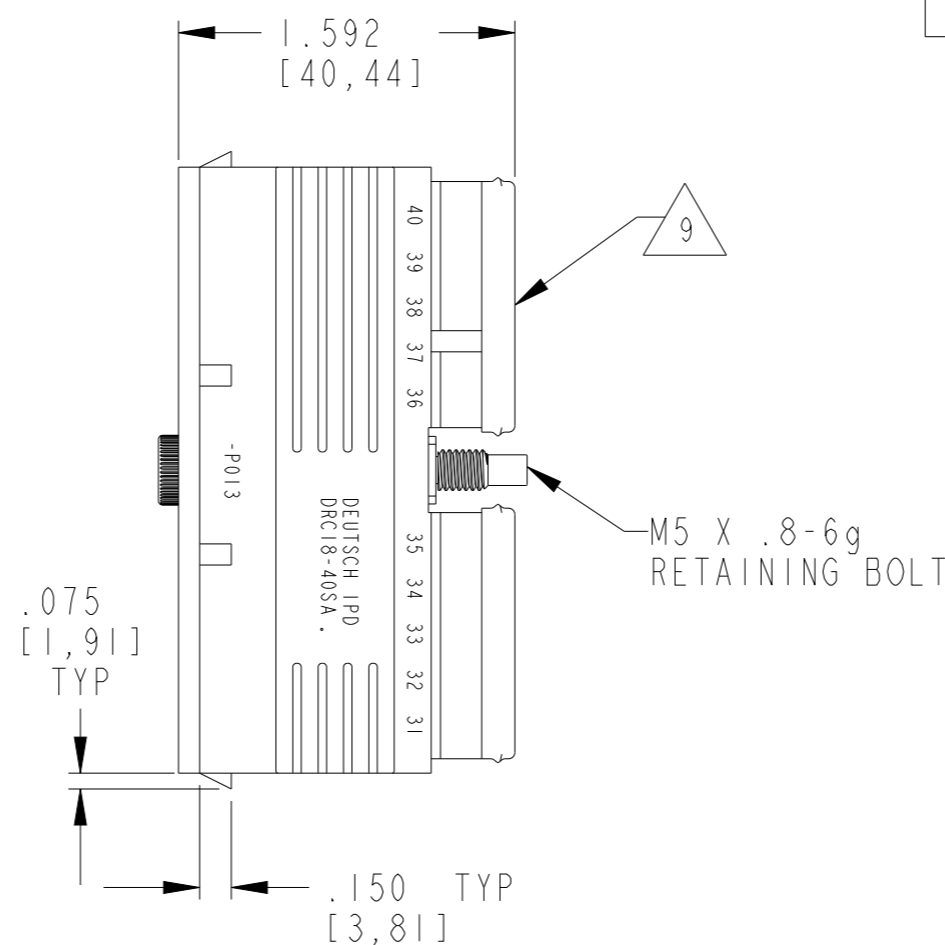
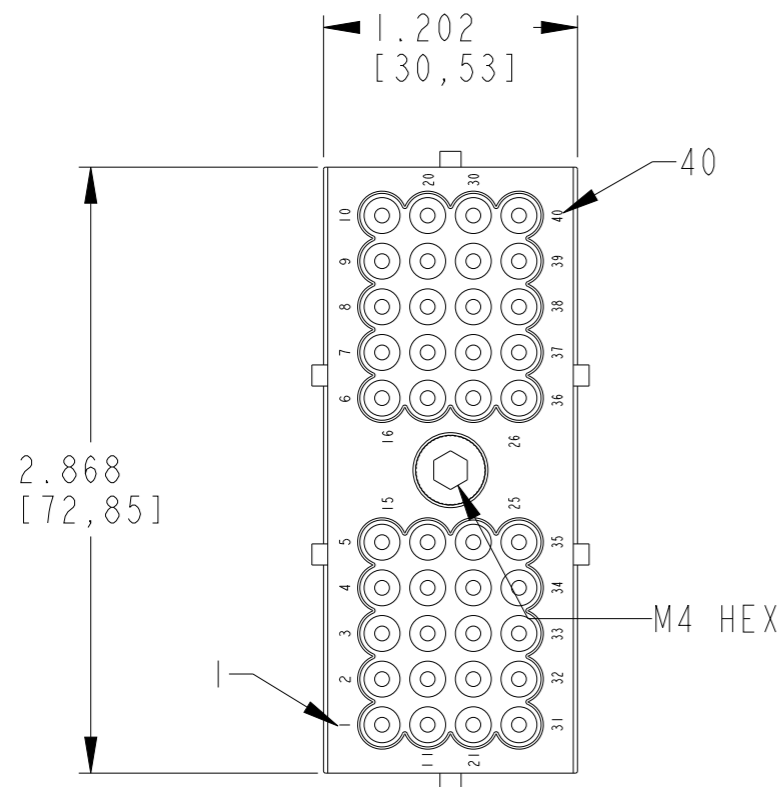


P	LTR	DESCRIPTION	DATE	DWN	APVD
	NC	ISSUES PER E.O. PI7730	29APR02	-	RDR
	A	REVISED PER PCN-24-216230	23JUL2024	RK	CB



8. MATING TORQUE REQUIREMENT: 25-28 IN-LB [2.82-3.13 Nm].

7. SEE SHEET 2 FOR OTHER KEY ARRANGEMENTS.

6. MATERIAL- PLUG: PLASTIC; SEAL/GROMMET: RUBBER; RETAINING BOLT: STEEL.

5. THIS PLUG MATES WITH DRC12-40P*-*****; DRC13-40P*-***** AND DRC14-40P*-***** RECEPTACLE. (*=A,B,C,D KEYS; *****=ALL MODIFICATIONS). CONSULT FACTORY FOR MODS.

4. FOR CONTACTS AND WIRE PERFORMANCE AND APPLICATION CHARACTERISTICS, SEE ENVELOPE DRAWING 0425-015-0000.

3. PLUG SUPPLIED WITH DUST CAP. (NOT SHOWN).

2. DIMENSION TOLERANCE: ±.025 [.64].

1. DIMENSIONS ARE IN INCHES [mm].

NOTE: UNLESS OTHERWISE SPECIFIED

A 10 WEB SEAL HOLES MAY NOT BE COMPLETELY ALIGNED TO THE HOLES OF CONNECTOR BODY

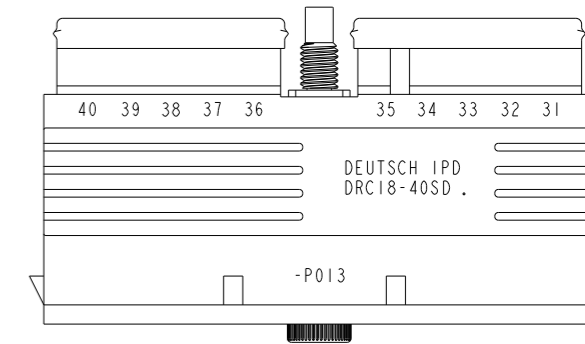
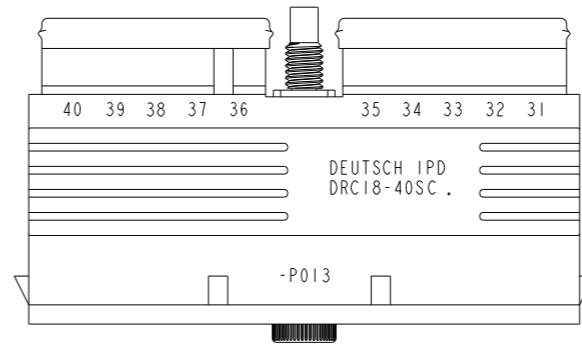
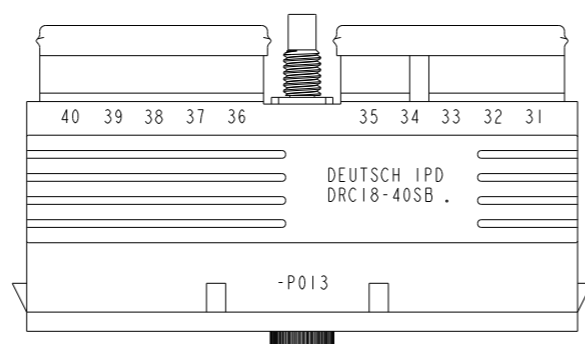
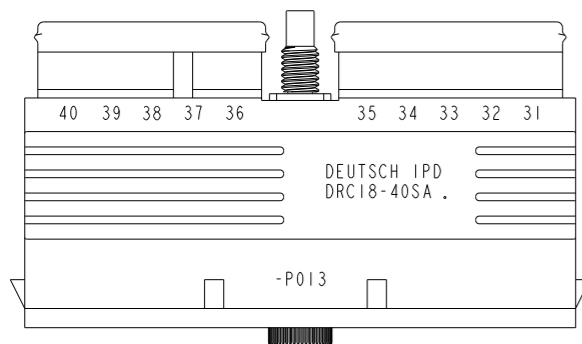
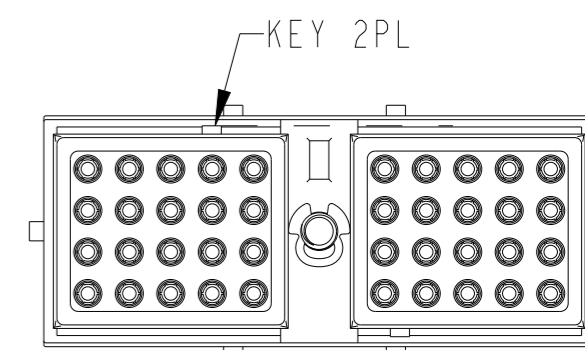
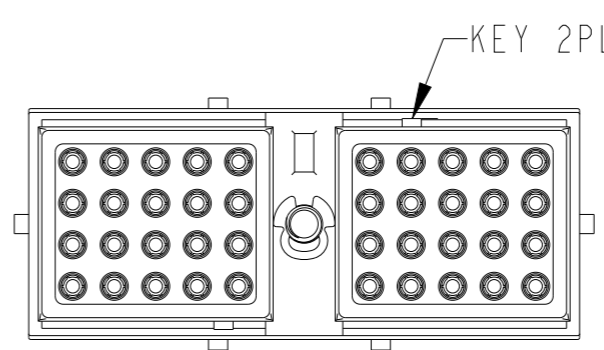
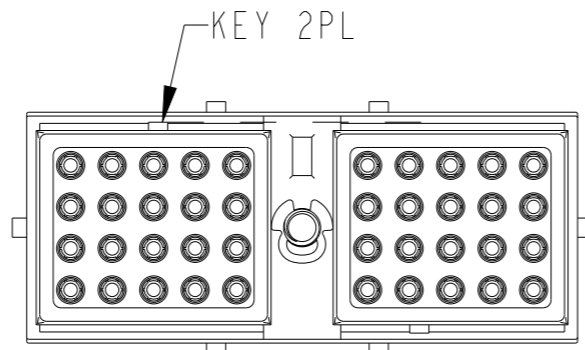
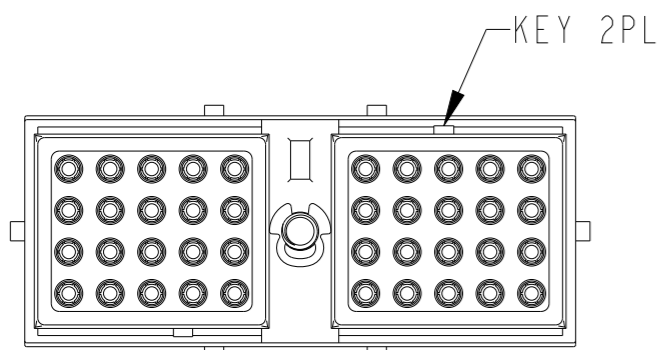
9. PART MODIFICATION: INTERFACE SEALS ARE BONDED TO PLUG HOUSING.

MIN. INSUL. O.D.	MAX. INSUL. O.D.	WIRE RANGE [mm ²] REF ONLY
.100 [2.54]	.134 [3.40]	14-20 AWG [2.0-0.50]

THIS DRAWING IS A CONTROLLED DOCUMENT.		DWN D. MEYER	15APR02	TE Connectivity	
DIMENSIONS: INCHES [mm]		CHK -	23APR02		
TOLERANCES UNLESS OTHERWISE SPECIFIED:		APVD -	26APR02	NAME PLUG 40 SIZE 16 KEYS: A,B,C,D COLOR: BLACK DRC SERIES	
0 PLC ±- 1 PLC ±- 2 PLC ±- 3 PLC ±.025 [.64] 4 PLC ±- ANGLES ±-		PRODUCT SPEC -	APPLICATION SPEC -		
MATERIAL	FINISH	WEIGHT	-	SIZE A3	CAGE CODE 00779
-	-	-	-	DRAWING NO DRC18-40SX-P013	RESTRICTED TO -
CUSTOMER DRAWING			SCALE 1.1:	SHEET 1 OF 2	REV A

REVISIONS

P	LTR	DESCRIPTION	DATE	DWN	APVD
-	-	SEE SHEET 1	-	-	-



DRC18-40SA-P013
KEY: -A-

DRC18-40SB-P013
KEY: -B-

DRC18-40SC-P013
KEY: -C-

DRC18-40SD-P013
KEY: -D-

THIS DRAWING IS A CONTROLLED DOCUMENT.		DWN D. MEYER	15APR02	TE TE Connectivity	
		CHK -	23APR02		
		APVD -	26APR02	NAME PLUG 40 SIZE 16 KEYS: A,B,C,D COLOR: BLACK DRC SERIES	
DIMENSIONS: INCHES [mm]		TOLERANCES UNLESS OTHERWISE SPECIFIED:			
		0 PLC	±-		
		1 PLC	±-		
MATERIAL		2 PLC	±-	SIZE	A3
		3 PLC	±.025 [.64]	CAGE CODE	00779
		4 PLC	±-	DRAWING NO	©-DRC18-40SX-P013
		ANGLES	±-	RESTRICTED TO	-
		FINISH	-	SCALE	1:1
			-	SHEET	2 OF 2
			-	REV	A
			-	CUSTOMER DRAWING	