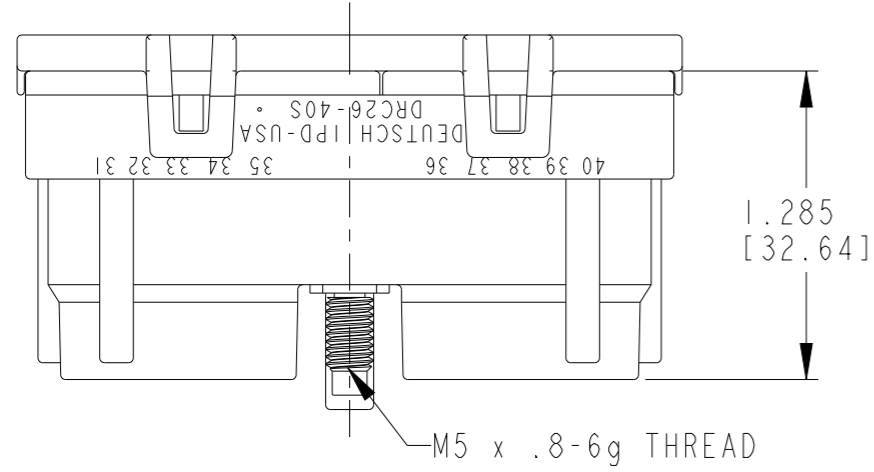
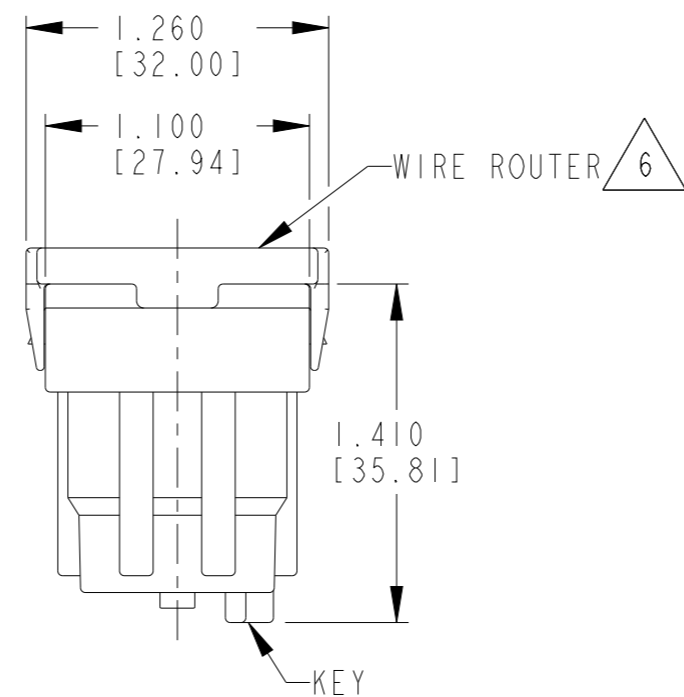
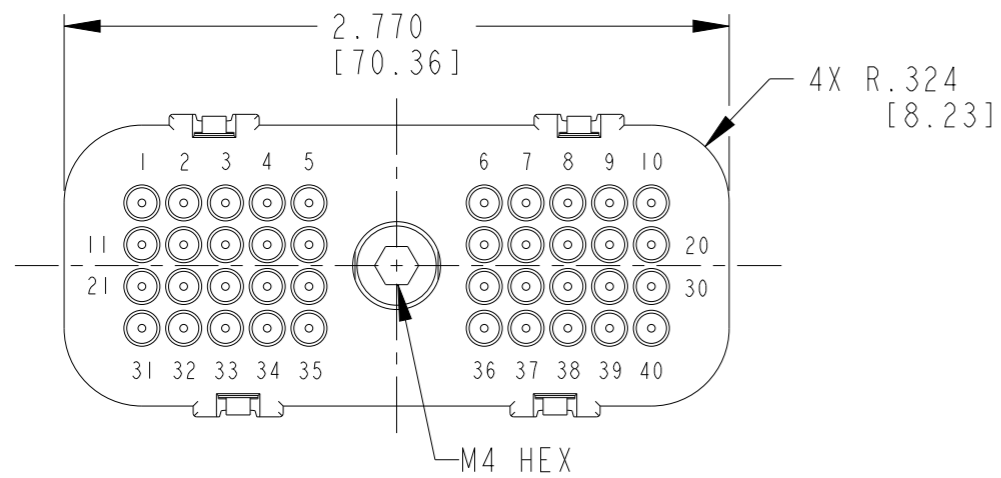


P	LTR	DESCRIPTION	DATE	DWN	APVD
	C	REVISED PER PCN-21-118564	04MAR2022	DRK	CB



**DRC26-40SA-L011      DRC26-40SB-L011**



**DRC26-40SC-L011      DRC26-40SD-L011**

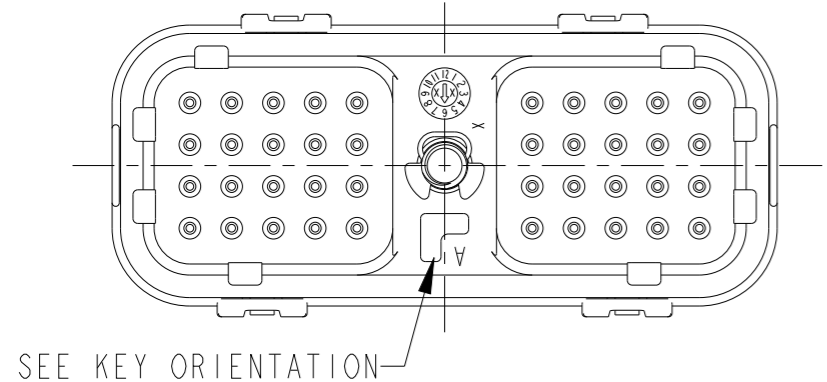


**KEY ORIENTATION**

CONTACT SIZE	MIN. INSUL. O.D.	MAX. INSUL. O.D.	WIRE RANGE [mm <sup>2</sup> ] REF ONLY
20	.040 [1.016]	.095 [2.413]	16-20 AWG [1.0-0.5]

TCPN	ALIAS PART NUMBER
DRC26-40SA-L011	DRC26-40SA-L011
DRC26-40SB-L011	DRC26-40SB-L011
DRC26-40SC-L011	DRC26-40SC-L011
DRC26-40SD-L011	DRC26-40SD-L011

- △6 PART MODIFICATION: WIRE ROUTER ONTO PLUG.
- △5 MATERIAL: HOUSING: PA46 (BLACK); BOLT: STEEL, TRIVALENT ZINC PLATED (ROHS COMPLIANT); CLIP: STEEL; GROMMET: VMQ



SEE KEY ORIENTATION

- 4. RECOMMENDED RETAINING BOLT TORQUE: 25-28 IN-LB [2.82-3.16 NM].
- 3. THIS PLUG MATES WITH DRC23-40P\*-\*\*\*\* RECEPTACLE. (\* = A,B,C,D KEYS; \*\*\*\* = ALL MODIFICATIONS)

△2 FOR CONTACT AND WIRE PERFORMANCE AND APPLICATION CHARACTERISTICS SEE ENVELOPE DRAWING 0425-015-0000.

- 1. PLUG IS SUPPLIED WITH DUST CAP (NOT SHOWN).

NOTES: UNLESS OTHERWISE SPECIFIED

THIS DRAWING IS A CONTROLLED DOCUMENT.		DWN J APOSTOL 17MAR2005			
DIMENSIONS: INCHES [mm]		CHK R MESSENGER 31MAR2005			
TOLERANCES UNLESS OTHERWISE SPECIFIED:		APVD R REED 31MAR2005		NAME PLUG 40 CONTACTS, SIZE 20 L011 MOD DRC SERIES	
0 PLC ±- 1 PLC ±- 2 PLC ±- 3 PLC ±.025 [.635] 4 PLC ±- ANGLES ±-		PRODUCT SPEC -		SIZE A3	
MATERIAL		APPLICATION SPEC -		CAGE CODE 00779	
FINISH -		WEIGHT -		DRAWING NO. C=DRC26-40SX-L011	
		CUSTOMER DRAWING		RESTRICTED TO -	
		SCALE 1.25		SHEET 1 OF 1	
				REV C	