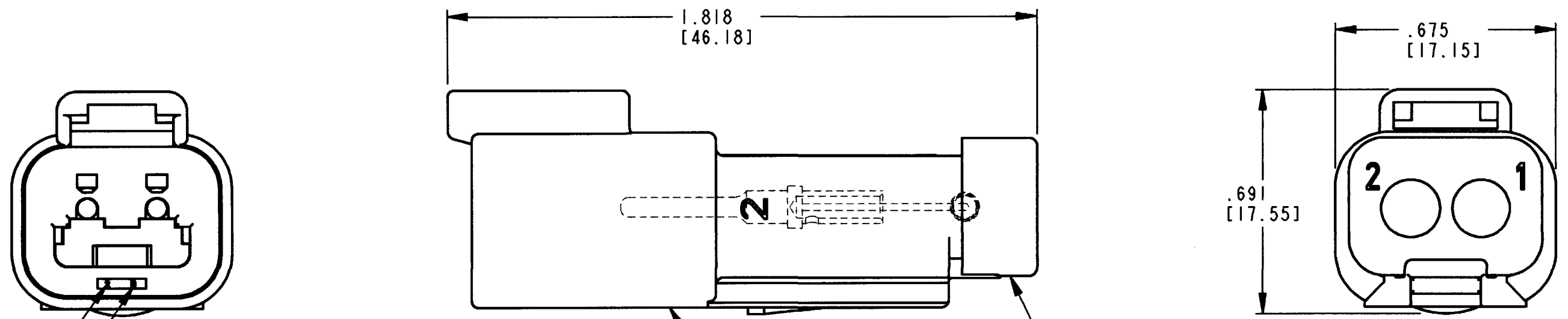


REV  
NC DT04-2P-P049

REVISIONS			
SYM	DESCRIPTION	DATE	APPROVED
NC	NEW RELEASE PER E.O. P17825	7-12-02	RDR



DATE CODE: MONTH IS REPRESENTED BY SEQUENTIAL ALPHA CHARACTERS. EX: D = APRIL

DATE CODE: YEAR IS REPRESENTED BY LAST NUMERICAL DIGIT. EX: 2 = 2002

- 6. RECEPTACLE SHELL MATERIAL: PLASTIC.
- 5. 4700 OHMS RESISTOR IS INSERTED INTO CAVITIES A AND B. RESISTOR CHARACTERISTICS:  $4700\Omega \pm 1\%$ , 0.25 WATTS
- 4. THIS RECEPTACLE MATES WITH DT06-2S-\*\*\*\* PLUG. (\*\*\*\* = ALL MODIFICATIONS). CONSULT FACTORY FOR MODIFICATIONS.
- 3. FOR CONTACTS AND WIRE PERFORMANCE AND APPLICATION CHARACTERISTICS SEE ENVELOPE DRAWING 0425-015-0000 AND 0425-017-0000.
- 2. DIMENSIONS ARE  $\pm .025$  [0.64] UNLESS OTHERWISE SPECIFIED.
- 1. ALL DIMENSIONS ARE IN INCHES [MILLIMETERS].

NOTES:

SIGNATURE & DATE	
DR	T. YOHANNES 06 JUL 02
CHK	<i>[Signature]</i> 7/15/02
PE	<i>[Signature]</i> 7/16/02
APPD	<i>[Signature]</i> 7-12-02
SCALE	NONE WT

2 WAY RECEPTACLE  
TERMINATING RESISTOR  
-P049 MOD.  
COLOR: GREY  
DT SERIES

ENVELOPE

CP	MATL. CODE
<b>The Deutch Company</b> DEUTSCH I.P.D. 3850 INDUSTRIAL AVE. HEMET, CALIF. 92545	
<b>B</b>	<b>DT04-2P-P049</b>
DWG SIZE	CODE 11139 SHEET   OF