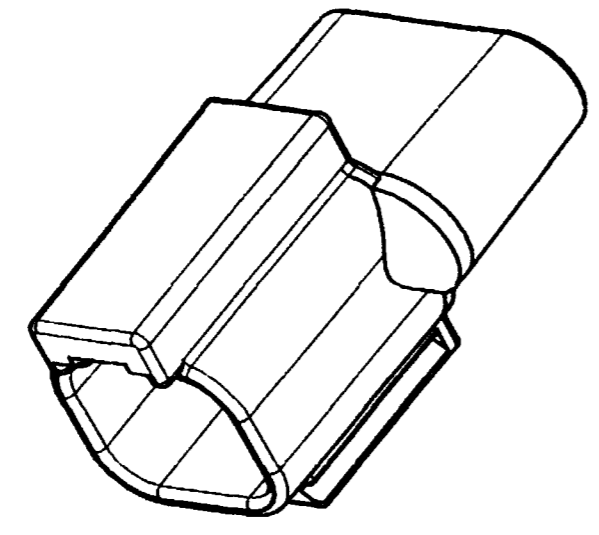
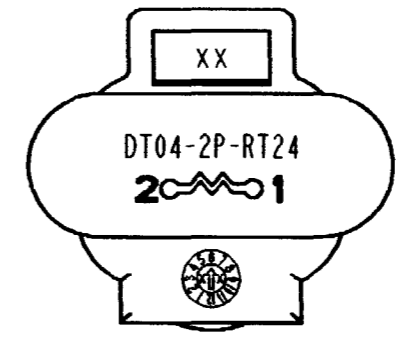
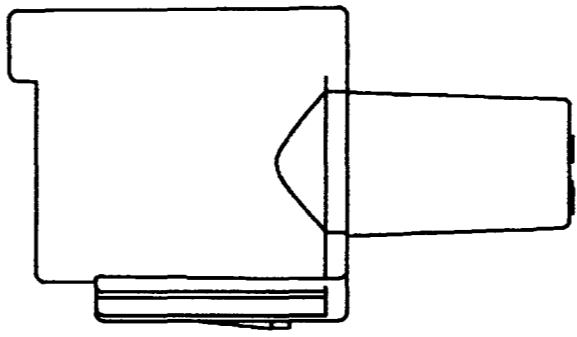
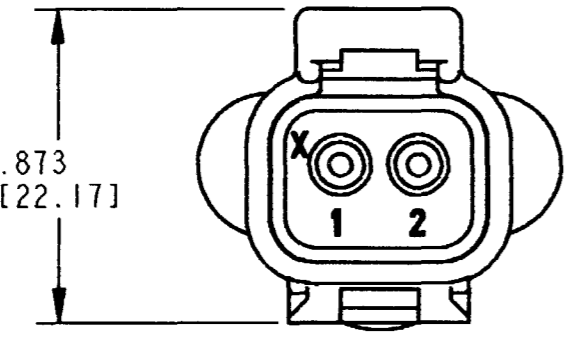
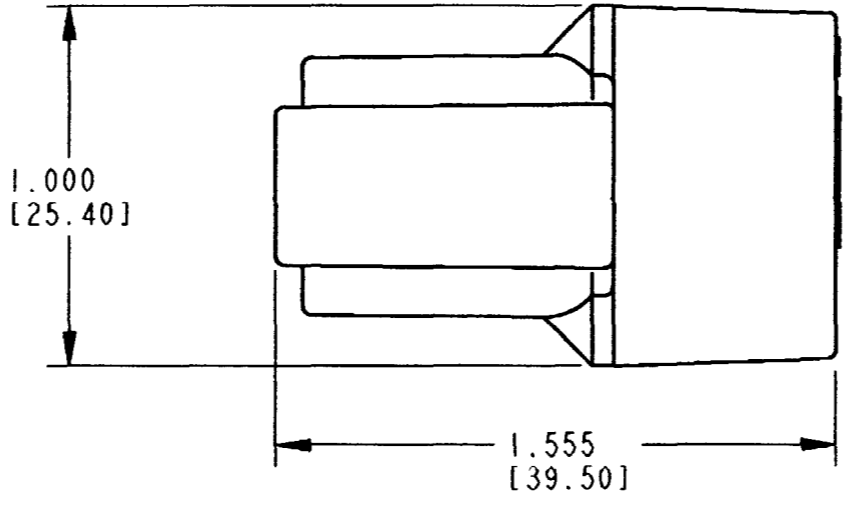


REV  
A DT04-2P-RT24

REVISIONS			
SYM	DESCRIPTION	DATE	APPROVED
NC	NEW RELEASE PER E.O. P18126	5/27/03	RDR
A	REVISION PER E.O. P19162	3-15-06	RDR



3D VIEW



- 6. RESISTOR 120 OHMS 2 WATT 5% TOLERANCE.
- 5. SHELL MATERIAL: PLASTIC; COLOR: BLACK
- 4. TEMPERATURE RANGE: -55°C TO +125°C.
- 3. RECEPTACLE MATES WITH DT06-2S-\*\*\*\*. (\*\*\*\*) = ALL MODIFICATIONS.
- 2. DIMENSION TOLERANCE ±.025 [.64].

NOTES: 1. ALL DIMENSIONS ARE IN INCHES [mm].

SIGNATURE & DATE	
DR	P. BURKE 04/15/03
CHK	B. Burke 3/14/06
PE	Cherise 2-6-06
APPD	S. Baird 2-3-06
SCALE	NONE WT

**2 WAY RECEPTACLE  
2 WATT 5% TOLERANCE  
120 OHM RESISTOR  
DT SERIES**

ENVELOPE

CP	MATL. CODE
<b>The Deutch Company</b> DEUTSCH I.P.D. 3850 INDUSTRIAL AVE. HEMET, CALIF. 92545	
<b>B</b>	<b>DT04-2P-RT24</b>
DWG SIZE	SHEET   OF
11139	