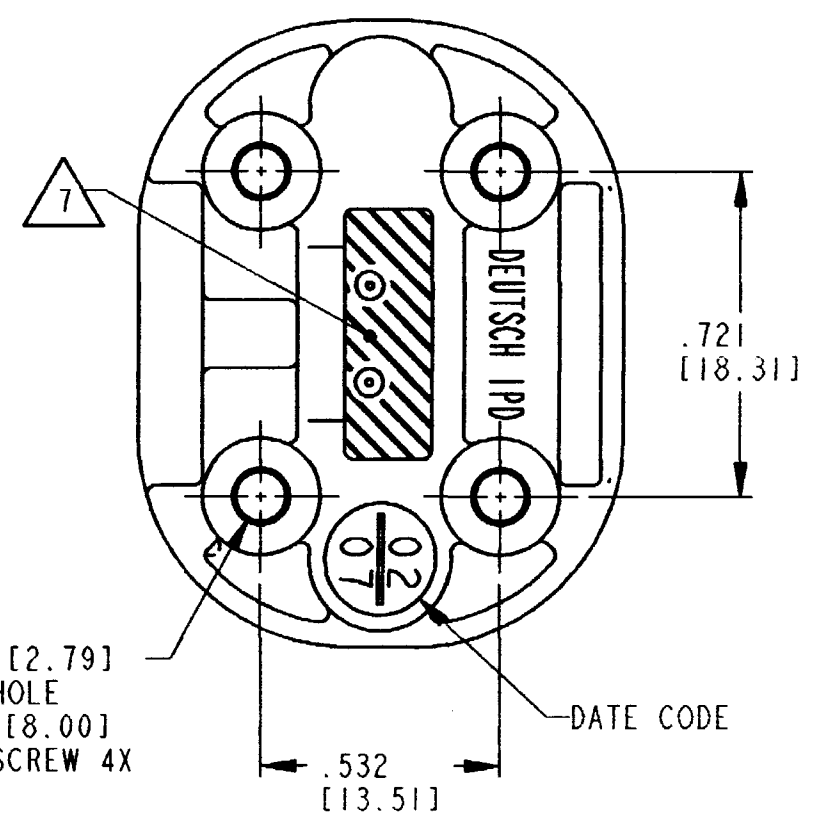
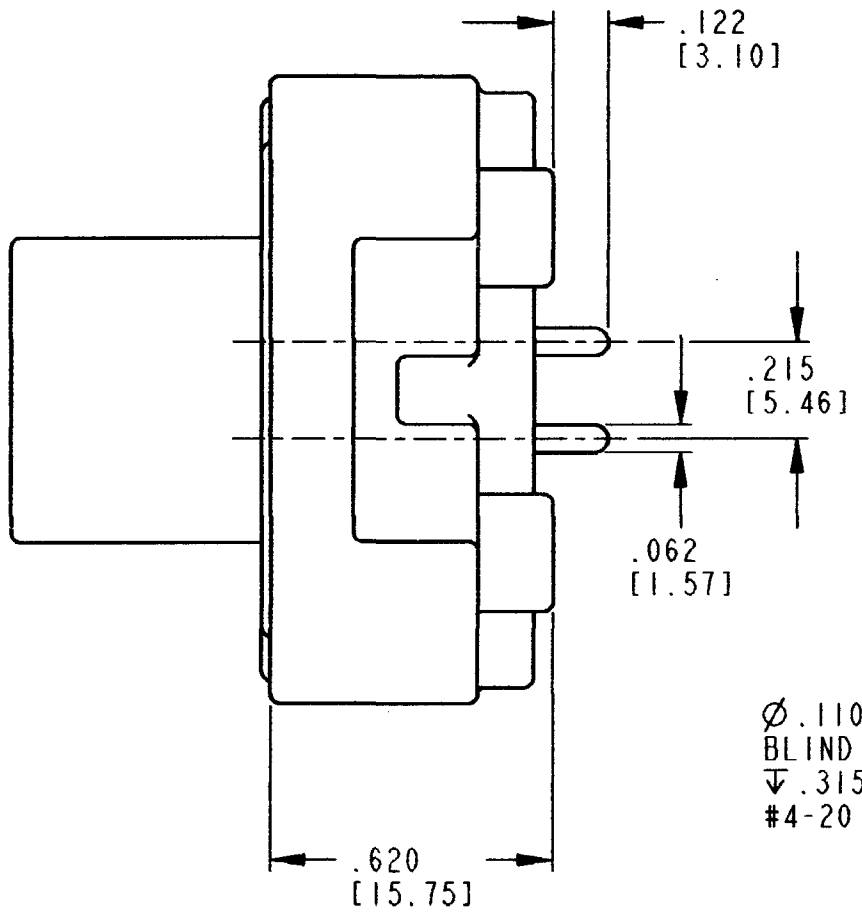
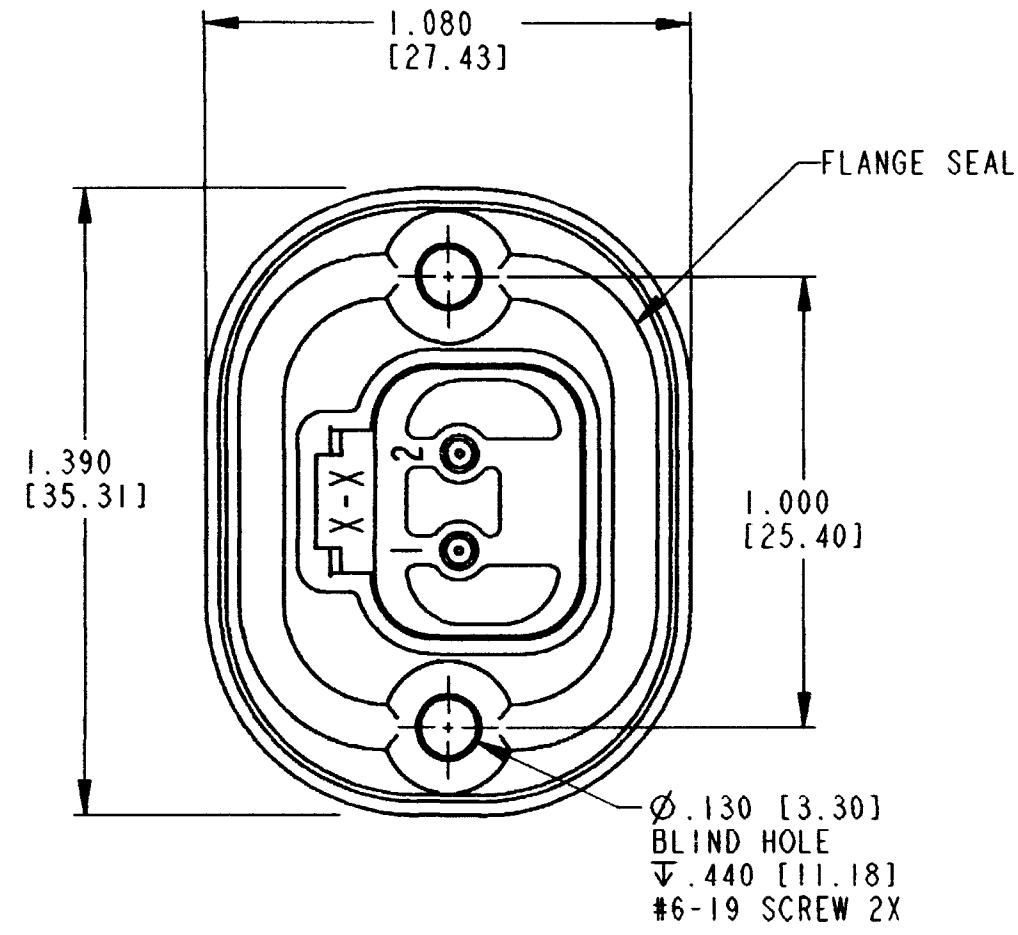


REV  
NC DT15-2P-P010

REVISIONS			
SYM	DESCRIPTION	DATE	APPROVED
NC	NEW RELEASE PER E.O. P19476	4-13-07	RDR



7. THIS CONNECTOR IS MODIFIED FOR 5 P.S.I. APPLICATIONS.

- 6. MOUNTING SCREW TORQUE VALUES ARE AS FOLLOWS:  
#6-19 SCREWS: 13±2.0 IN-LB [1.47±.23 N-M].  
#4-20 SCREWS: 8±2.0 IN-LB [.90±.23 N-M].  
VALUES VALID FOR PLASTITE 48 SCREWS ONLY.
- 5. RECOMMENDED MOUNTING SCREWS (NOT INCLUDED): CAMCAR PLASTITE 48.
- 4. THIS RECEPTACLE MATES WITH DT06-2S-\*\*\*\* PLUG (\*\*\*\* = ALL MODIFICATIONS).
- 3. SHELL MATERIAL: PLASTIC; FLANGE SEAL MATERIAL: RUBBER.
- 2. DIMENSION TOLERANCE: ±.025 [.64], PANEL CUTOUT: ±.010 [.25].
- 1. DIMENSIONS ARE IN INCHES [mm].

NOTES:

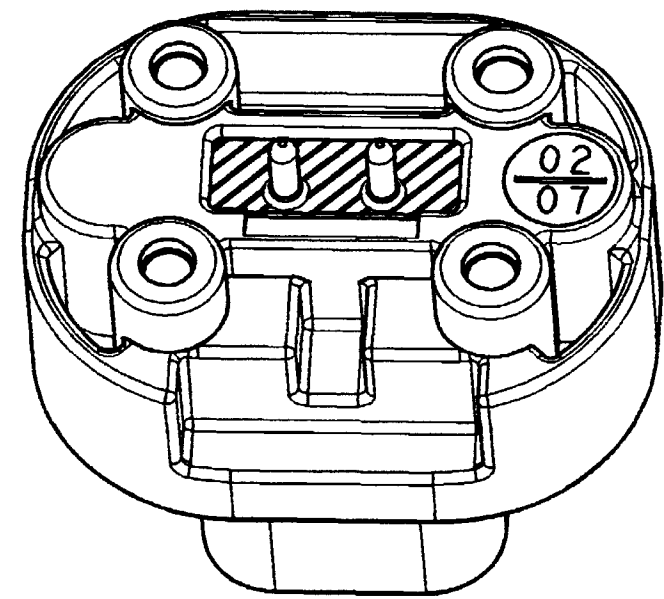
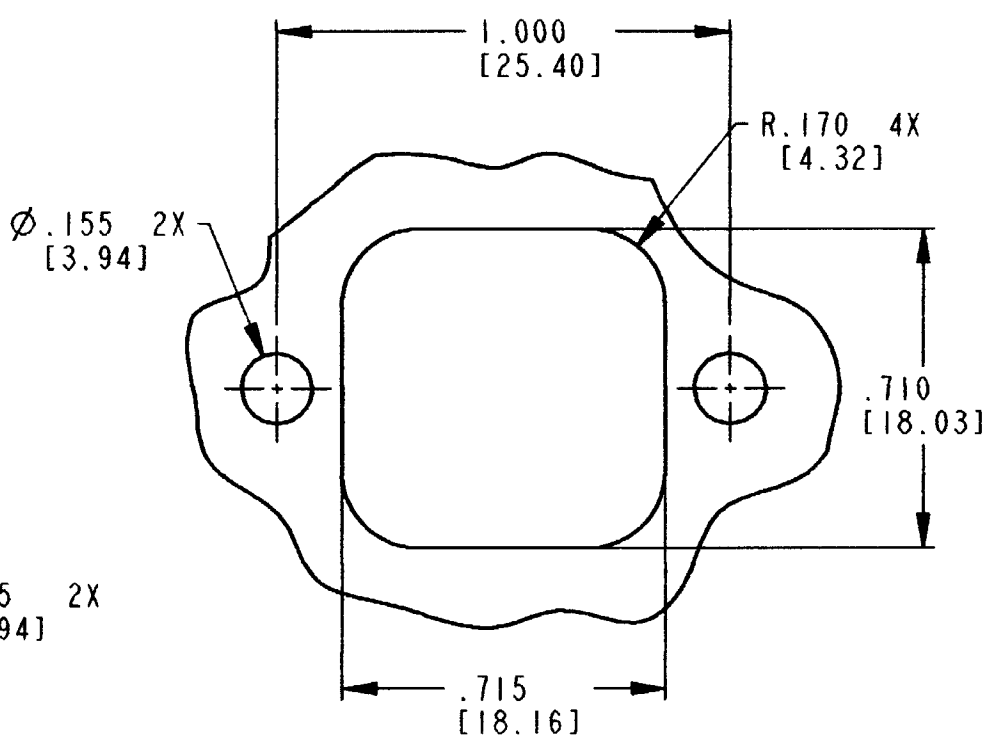
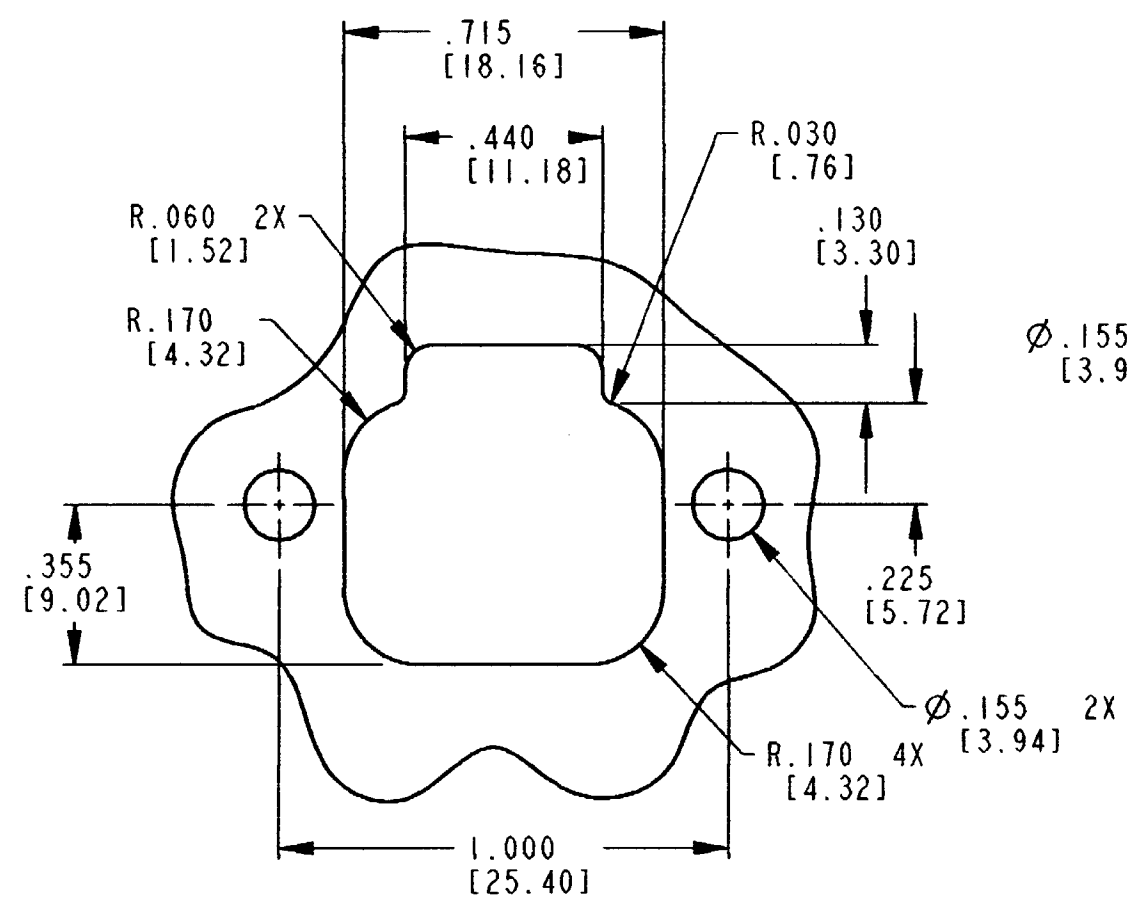
SIGNATURE & DATE	
DR	K. MCKEE 2/9/07
CHK	B. [Signature] 4/10/07
PE	M. [Signature] 3/13/07
APPD	[Signature] 3-19-07
SCALE	NONE WT

PCB MOUNT RECEPTACLE  
2-PINS  
P010 MOD  
COLOR: GRAY  
DT SERIES  
  
ENVELOPE

EP	MATL. CODE
<b>The Deutsch Company</b> DEUTSCH I.P.D. 3850 INDUSTRIAL AVE. HEMET, CALIF. 92545	
<b>B</b>	<b>DT15-2P-P010</b>
DWG SIZE	CODE 11139 SHEET 1 OF 2

REV  
NC DT15-2P-P010

REVISIONS			
SYM	DESCRIPTION	DATE	APPROVED
NC	SEE SHEET 2	4-13-07	RDR



3D VIEW

RECOMMENDED PANEL CUTOUTS

NOTES:

SIGNATURE & DATE	
DR	K. MCKEE 2/9/07
CHK	<i>[Signature]</i> 10/10/07
PE	KMckee 3-13-07
APPD	<i>[Signature]</i> 3-19-07
SCALE	NONE WT

PCB MOUNT RECEPTACLE  
2-PINS  
P010 MOD  
COLOR: GRAY  
DT SERIES  
  
ENVELOPE

EP	MATL. CODE
The Deutsch Company DEUTSCH I.P.D. 3850 INDUSTRIAL AVE. HEMET, CALIF. 92545	
<b>B</b>	DT15-2P-P010
DWG SIZE	CODE 11139 SHEET 2 OF 2