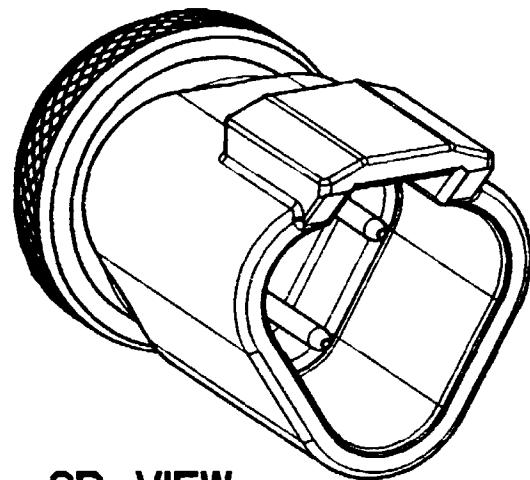
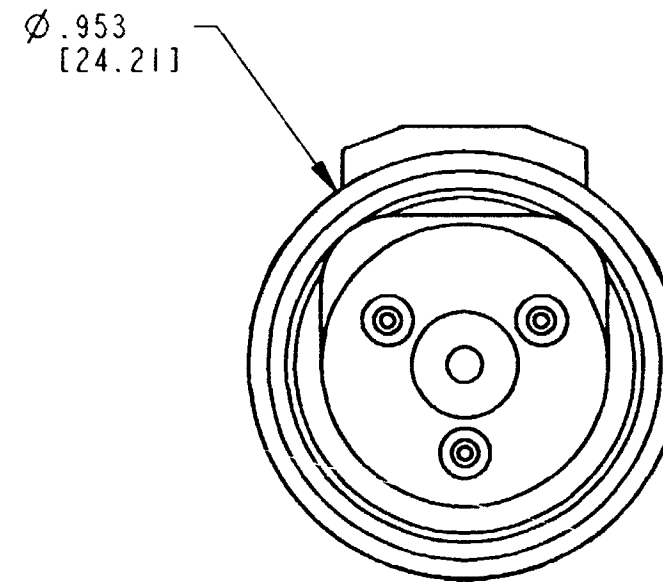
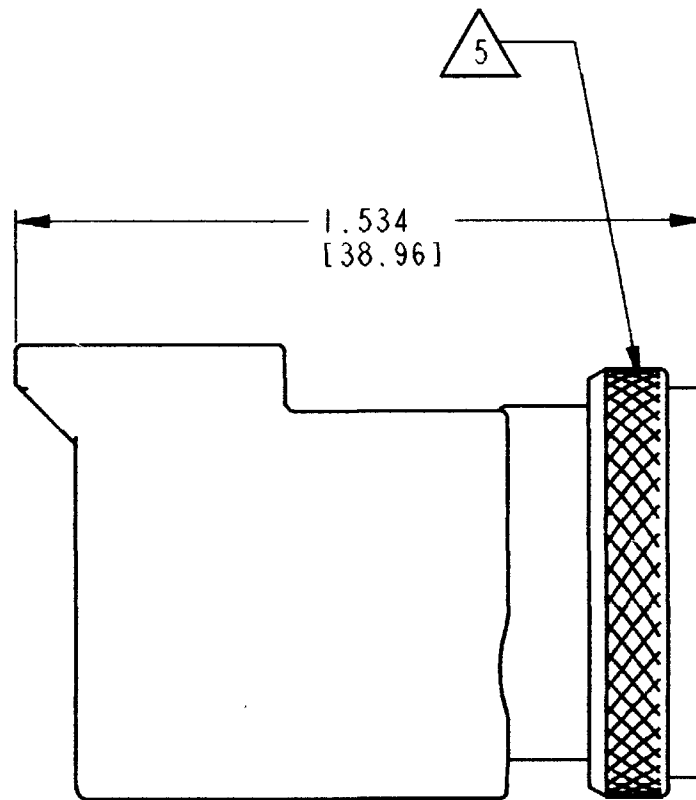
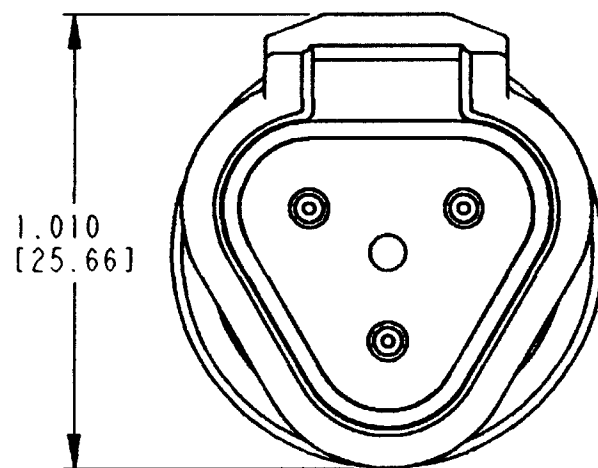


REV
NC DT15-3P-R009

REVISIONS			
SYM	DESCRIPTION	DATE	APPROVED
NC	NEW RELEASE PER E.O. PI9425	4-27-07	RDR



3D VIEW



5. TEXTURED FINISH ON THIS SURFACE.

4. THIS RECEPTACLE MATES WITH DT06-3S-**** PLUG (**** - ALL MODIFICATIONS).

3. MATERIAL: SHELL: PLASTIC
COLOR: BLACK

2. ALL DIMENSIONS ARE ±.025[0.64] UNLESS OTHERWISE SPECIFIED.

1. ALL DIMENSIONS ARE IN INCHES [MILLIMETERS].

NOTES:

SIGNATURE & DATE	
DR	A. MALAGON 01DEC06
CHK	R. Miller 4-26-07
PE	K. Klee 4-26-07
APPD	R. Reed 4-26-07
SCALE	NONE WT

3 WAY RECEPTACLE
FOR SENSOR
DT SERIES

ENVELOPE

EP	MATL. CODE
The Deutsch Company DEUTSCH I. P. D. 3850 INDUSTRIAL AVE. HEMET, CALIF. 92545	
B	DT15-3P-R009
DWG SIZE	CODE 11139 SHEET OF